

Laminex® Wall Systems Adhesive

Laminex Wall Systems Adhesive is a high strength, polychloroprene rubber based adhesive/sealant supplied in a ready to use cartridge. It cures to form a tough, flexible heat resistant bond.



APPLICATIONS

Laminex® Wall Systems Adhesive is recommended for bonding a wide variety of materials in dry and wet areas including timber, tileboard, hardboard, gyprock, steel, aluminum and cement sheeting etc.

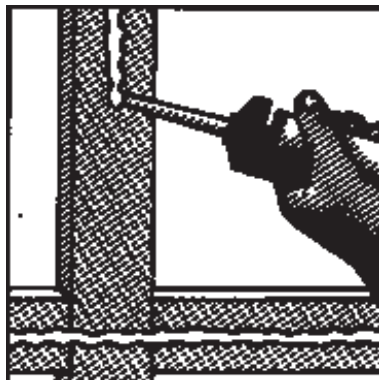
It is not suitable for the bonding of polystyrene foam.

PROPERTIES

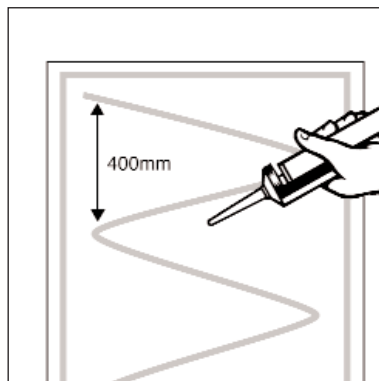
Colour:	Pale Yellow
Solids:	42% approx.
Viscosity:	180,000 CPS @ 25°C approx.
Specific Gravity:	0.95 Kg/Lt
Coverage:	A 300ml cartridge will form 15 metres of a 5mm bead

DIRECTIONS

Surfaces to be bonded must be clean and free from paint, oil, grease, dust, etc. Apply a 4-5mm bead of Laminex Wall Systems Adhesive to each stud, batten or frame section to be covered.



On flat surfaces apply bead around perimeter and space zig-zag beads 400mm apart vertically and horizontally.



Position material to be bonded and press together ensuring a transference of adhesive to back of panel over total area.

Pull the two surfaces apart and allow the adhesive to become tacky for 5 – 15 minutes depending on weather conditions. Press the two surfaces together. Use a rubber mallet or a hammer and clean block of wood to ensure a complete bond.



The joint will continue to gain strength for 2-3 days and maximum stress loading should not be applied until such time.

CLEAN UP

Laminex Trade Essentials Adhesive Cleaner or mineral turpentine.

Laminate Product: Care & Maintenance
Appendix 2. General Care and Maintenance
Section 9:2

Board Product: Site Work Notes
Appendix 3. Handling & Product Application
Section 9:3