

# SURROUND by Laminex™

## Fabrication & Installation Manual



Surround by Laminex is designed for interior area applications and is manufactured from moisture resistant Medium Density Fibreboard (MDF). Each panel has one face routed with a regular decorative pattern which is primed with water-based paint.

## Applications

Interior wall panelling

## Functional Benefits



Vertical Application



Impact Resistant



Dimensional Stability



Low Sanding



Paintable

<b>1.0 Introduction</b>	
<b>1.1 Purpose of this manual</b>	Pg 04
<b>2.0 General information</b>	
<b>2.1 Safety</b>	05
2.1.1 Safety data sheet	
2.1.2 Personal protective equipment	
2.1.3 Tools and equipment	
2.1.4 Adhesives	
<b>2.2 Handling</b>	06
<b>2.3 Storage</b>	07
<b>2.4 Packaging</b>	08
<b>2.5 Transport</b>	08
<b>2.6 Conditioning</b>	09
<b>2.7 Quality control</b>	
2.7.1 Inspection	
2.7.2 Technical data	
<b>2.8 Care and maintenance</b>	09
<b>2.9 Warranty</b>	09
<b>3.0 Applications</b>	
<b>3.1 Interior</b>	10
<b>3.2 Exterior</b>	10
<b>4.0 Design guidelines</b>	11
<b>5.0 Fabrication</b>	
<b>5.1 Tools and equipment</b>	13
<b>5.2 Cutting</b>	13
<b>5.3 Openings and cut-outs</b>	14

<b>6.0 Installation</b>	
<b>6.1 Planning</b>	15
<b>6.2 Fixing</b>	16
6.2.1 Nails	
6.2.2 Screws	
<b>6.3 Expansion gaps and dimensional tolerance</b>	17
<b>6.4 Fixing to timber stud walls and/or steel framed walls</b>	18
6.4.1 Preparing the wall	
6.4.2 Installing the sheets	
<b>6.5 Fixing to brick and block walls or masonry</b>	20
6.5.1 Preparing the wall	
6.5.2 Installing the sheets	
<b>6.6 Fixing to plaster walls</b>	23
6.6.1 Checking and preparing the wall frame behind the plaster	
6.6.2 Installing the sheets	
<b>6.7 Horizontal applications of Surround by Laminex panels</b>	26
6.7.1 Planning join locations	
6.7.2 Installation	
6.7.3 End joins	
<b>6.8 Installation of Surround by Laminex in High Humidity &amp; Damps Areas</b>	28
6.8.1 Fixing to plaster walls	
6.8.2 Fixing to timber stud walls and/or steel framed walls	
<b>6.9 Adjacent to Fireplaces &amp; Stoves</b>	35
<b>6.10 Use &amp; fixing of dado rails and mouldings</b>	39
<b>7.0 Finishing</b>	
<b>7.1 Painting</b>	40

## 1.1 Purpose of this manual

This manual has been created to provide clear instructions required to successfully design, fabricate and install Surround by Laminex. Adherence to the techniques and guidelines presented in this manual will ensure the finished article is compliant with the conditions in the product warranty.

Throughout this manual the symbol (W) will appear against any specific instructions that are linked to compliance with the Surround by Laminex, warranty.

This manual has been developed to allow designers, fabricators and installers who work with Surround by Laminex to achieve performance standards for both domestic and commercial applications.

It is important to note that the techniques and guidelines presented in this manual are those recommended for use with Surround by Laminex. Any variation from these guidelines may create unexpected performance problems and may void the limited warranty.

It is impossible to cover all the existing fabrication techniques in this manual. This manual provides instructions to comply with the product warranty and is not intended to replace any testing you may need to conduct to determine the suitability of this product for your particular purpose and needs.

While every precaution has been taken in the preparation of this document, Laminex assumes no responsibility for errors or omissions, or for damages resulting from the use of information contained in this document. In no event shall Laminex be liable for any loss of profit or any other loss or damage caused or alleged to have been caused directly or indirectly as a result of any person relying upon any information contained in this document.

Content in this manual is subject to change at any time without notice. Refer to [surroundbylaminex.com.au](http://surroundbylaminex.com.au) for the latest revision of this document.

Panels should be installed with consideration to the Australian Construction Code – Building Code of Australia, Volume 1 and 2, and the relevant Australian Standards: AS 3740- 2010 Waterproofing of domestic wet areas, AS 4386:2018 Cabinetry in the built-in environment Commercial & domestic.

## 2.1 Safety

Safety training, product knowledge and product use, are the responsibility of the fabrication facility and its employees.

Equipment selection, use and maintenance, are the responsibility of the fabrication facility and its employees.

Maintaining a clean and adequately ventilated workplace, are the responsibility of the fabrication facility and its employees.

### 2.1.1 Safety data sheet

Refer to [surroundbylaminex.com.au](http://surroundbylaminex.com.au) for the latest version of the Safety Data Sheet (SDS) for this product.

### 2.1.2 Personal protective equipment

Always wear appropriate PPE when handling, cutting or fabricating this product. Wear gloves, safety footwear and suitable workwear apparel (no loose clothing or jewellery).



Occupational exposure to any type of dust is known to be hazardous to human health. Care must be taken to avoid the inhalation of dust. Follow good hygiene and workplace practices. Dust can be vacuumed or swept to avoid accumulation. If dust levels exceed Safe Work Australia Standards the wearing of a dust mask (AS 1715 and AS 1716) is recommended.

If you are intending to replace wall panels with Surround by laminex wall panels.

- Ensure that the existing wall panel do not contain Asbestos if these are being disturbed by your work.
- If you are removing wall sheeting ensure your safety in relation to electrical cables and water and gas plumbing.



Always use safety glasses or approved eye protection and/or face shield when cutting, routing and sanding. If dust levels exceed Safe Work Australia Standards the wearing of safety glasses (AS 1337) is recommended.



### 2.1.2 Tools and equipment

Use and maintain all tools and equipment in accordance with manufacturer's instructions.

Keep all equipment safety guards and dust collection devices in place.

### 2.1.4 Adhesives

Always refer to the manufacturer's Technical Data Sheet (TDS) and Safety Data Sheet (SDS) for instructions on how to store and use solvents, adhesives and other materials in a safe manner.

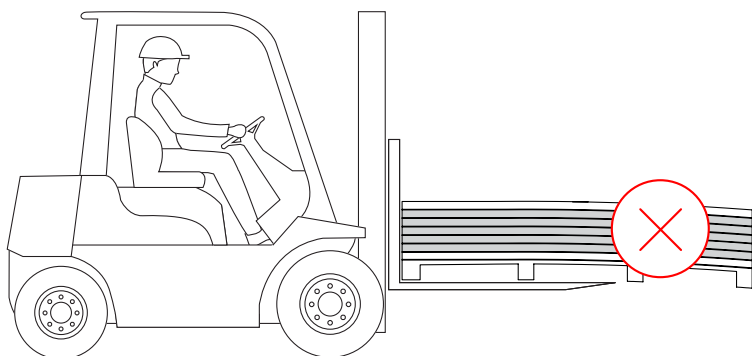
## 2.2 Handling

This product weighs approx. 9.5 Kgs/ m<sup>2</sup> and should not be manually lifted by less than two people. Carry full sheets vertically, where practicable to avoid flex or possible breakage.

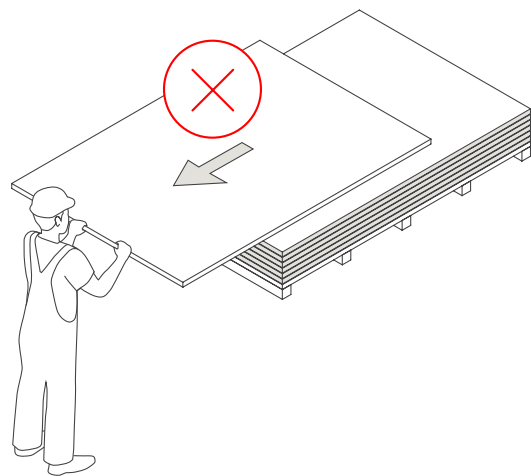


The use of mechanical aids, such as vacuum lifting devices, are recommended for handling large panels. Care should be taken to lift panels from the non-routed face.

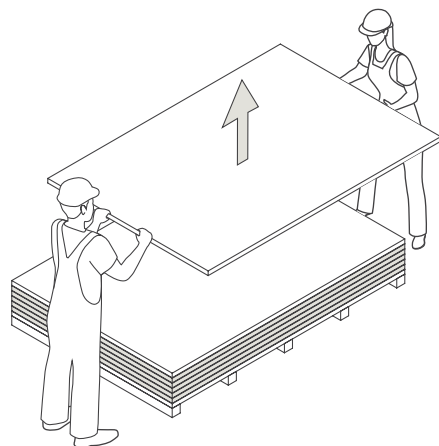
- Ⓜ If moving or transporting panels via forklift or suction lift, move sheets carefully to avoid damage and ensure the right forklift tyre length is used for the sheet size. Do not overload the forklift.



- Ⓜ DO NOT slide panels over one another to move them.

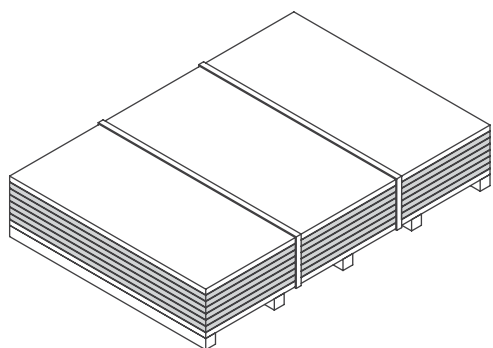


- Ⓜ Always gently lift and place the panels to avoid damage to the decorative surface.

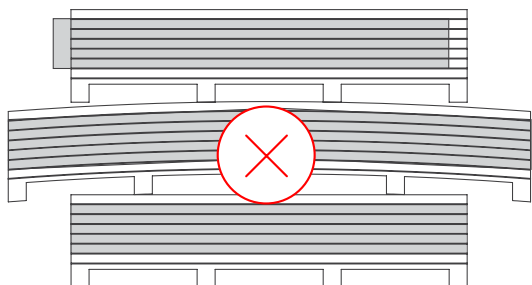


## 2.3 Storage

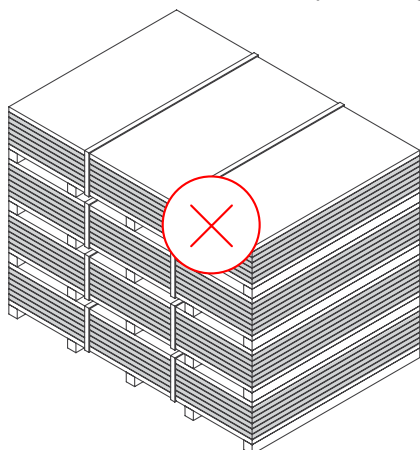
- Ⓜ When working with loose sheets of Surround by Laminex, where the original packaging is removed, the sheets must be stored horizontally in a flat level fully supported manner. Place a protective cover over the unused sheets.
- Ⓜ Packs must be stored on a level horizontal surface and aligned with each other.
- Ⓜ Material must be stored in a dry, fully enclosed area away from exterior doors. Do not leave Surround by Laminex in the rain, wind and protect from UV light.
- Ⓜ DO NOT store Surround by Laminex within areas where newly poured concrete or wet plastering is present.
- Ⓜ When working from a pack of Surround by Laminex, use sheets as required and place a protective cover over the unused sheets.
- Ⓜ Do not store product on pallets with bearer spacings more than 600mm apart.



- Ⓜ Do not stack different sized packs on top of each other



- Ⓜ Do not stack more than three packs high.





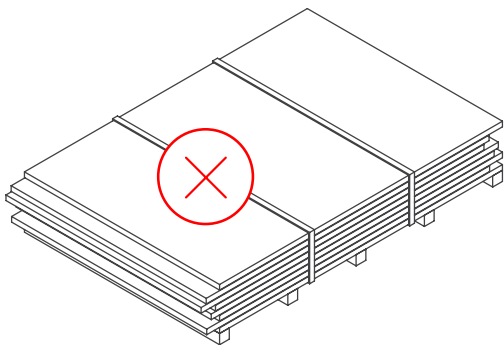
## 2.4 Packaging

The use of suitable packaging is essential to controlling and maintaining equilibrium moisture content (EMC). An imbalance of moisture will result in bowing or warping of the material.

- Ⓢ Coversheets of the same material (top and bottom) must be used to minimise the risk of bowing.

## 2.5 Transport

It is important to take precautions when transporting Surround by Laminex. Ensure product surfaces and edges are well protected when transporting, storing, fabricating and installing sheets.



All straps and restraint devices must remain grit and burr free and suitably tensioned to prevent movement of the product during transport. Covered loads are recommended to prevent damage during transport to site.

- Ⓢ Claims for damage or surface abrasion due to unsuitable transport methods will not be recognised.
- Ⓢ During transportation, use flat, stable supports of at least the same dimensions as the material.

## 2.6 Conditioning

Pre-conditioning of Surround by Laminex panels is required in order to achieve equilibrium moisture content (EMC) before fixing, to reduce the likelihood of bowing or shrinkage after installation.

Therefore, Surround by Laminex panels must be stored for a minimum period of 48 hours at the same environmental conditions as the subsequent place of use, preferably in the room where the panels are to be installed.

Failure to condition material may result in product expansion and contraction in response to environmental conditions, particularly with changes in temperature and humidity. This may result in, but is not limited to, bowing or warping of panels, joint failure or build-up of internal stresses that release in the form of cracks.

Surround by Laminex must be installed in locations where environmental conditions can be controlled and maintained in a manner which avoids large fluctuations in temperature and humidity.

- Ⓢ Failure to adhere to conditioning guidelines will void your warranty.
- Ⓢ Failure to maintain and control temperature and humidity of installation environments will void your warranty.

Timber structures to which Surround by Laminex panels are fixed, will also respond to changes in humidity and temperature of the surrounding environment. Hence, it is important that temperature and humidity are effectively controlled to minimise fluctuations in moisture content. Inadequate control of these parameters may result in expansion or contraction of the framing.

## 2.7 Quality control

### 2.7.1 Inspection

- Ⓜ ALL sheets must be visually inspected prior to the commencement of ANY cutting or fabrication.

Before commencing any cutting or fabrication, the following must be checked:

- Correct items (thickness, routed design, etc)
- Consistent routed design (ensure panels for the same installation are inspected for routed design compatibility)
- Inspect for defects, such as: chips, scratches, evidence of transport damage, general quality of the surface finish and quality of the edge.

If products are believed to be defective, record all order details and contact your Laminex representative as soon as possible.

- Ⓜ Once cut or fabricated, no claims for visual defects will be recognised.

### 2.7.2 Technical data

Refer to [surroundbylaminex.com.au](http://surroundbylaminex.com.au) for the latest version of the Technical Data Sheet (TDS) for this product.

## 2.8 Care and maintenance

Refer to your paint supplier for care and maintenance of the final finished painted surface.

## 2.9 Warranty

Surround by Laminex is covered by a 12 month limited warranty.

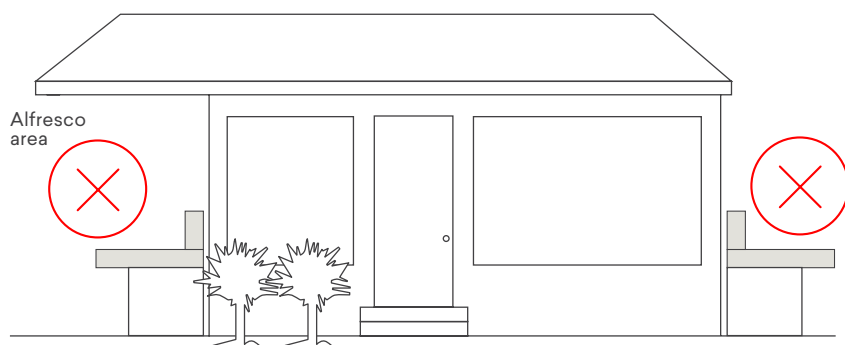
Refer to [surroundbylaminex.com.au](http://surroundbylaminex.com.au) for the latest version of the warranty for this product.

## 3.1 Interior

- Ⓜ Surround by Laminex is ONLY suitable for interior wall panel applications.
- Ⓜ Surround by Laminex is NOT suitable for any ceiling or floor applications.
- Ⓜ If the Surround wall linings are used in a bathroom, kitchen or laundry, local waterproofing requirements must be met according to the guidance in section 6.8.
- Ⓜ If the Surround wall panels are used around a fireplace or any fuel burning or heat emitting appliances, refer to section 6.9 for installation guidance.
- Ⓜ Surround by Laminex must NOT be adhered to tiles, cork, natural stone, textiles, wallpaper, timber panelling or Masonite.

## 3.2 Exterior

- Ⓜ Surround by Laminex is NOT suitable for use in any exterior applications.



When you are in the planning and design stage of your project there are some important points to consider ensuring your installation meets the compliance requirements for the Surround by Laminex warranty.

'The Design Guidelines for Surround by Laminex' is a separate document found on the Laminex website [www.surroundbylaminex.com.au](http://www.surroundbylaminex.com.au)

Key considerations for your Surround by Laminex project include both aesthetic detailing and the planning of the location or room in which the panels are to be installed.

Surround by Laminex panels are unsuitable for use in any external applications, for wet areas follow the installation instructions. The panels should not be applied to sliding doors or internal honeycomb construction doors. Ceilings and floors are unsuitable applications for Surround by Laminex panels. Non-compliant use of panels will not be considered under warranty.

You should ensure that project specification documents include both fabrication and installation documents and should follow all technical requirements of the Surround by Laminex fabrication manual.

Wall suitability is important for the successful installation of Surround by Laminex panels. Minor modifications to studs and wall frames may be required.

Your project design checklist should include consideration of the following:

- Position of existing or planned windows, doors and openings, GPO's, light and fan controls, air conditioner vents and other cut-outs through the panel for functional appliances.
- Will full height panels be used or are partial height panels with paint or other finishes for the balance of the wall considered? Partial wall height panels may require additional reinforcement and/or wall modifications to be used for support of the top and bottom of the panel.
- Expansion joints must be maintained between Surround by Laminex panels and all architectural elements such as floors, ceilings, architraves, skirtings, fixtures and fittings and between panels.
- Consider the direction of the wall panel design selected. Use of the joining tongues should always be used – butt joining of sheets (where no tongue is used) is not recommended and is not covered by warranty.
- Minimum distances from the edge of Surround by Laminex panels must be maintained for items to be cut in. Any access cut-outs for GPO (electrical outlets), air conditioning vents, light switches, or similar, must not be located less than 150mm from the edge of the Surround by Laminex panel.
- Consideration of the specific design of the Surround by Laminex panels selected for use and the surface of the intended walls. Is the scale and directionality of the design a good fit for both the uninterrupted areas of the project as well as the areas that might involve multiple cut outs around fixtures and fittings or change of direction through internal and external corners?
- If more than one design of Surround by Laminex wall panelling is considered for the project, the appearance of the panels in both the height and the width of the wall is important. The use of different designs together is recommended with the addition of a dado rail applied along the interface join between the two patterns.
- Mouldings and dado rails: If the use of mouldings and dado rails is anticipated, consider the location on the wall. Will they be interrupted by architraves on windows/doors and what is the optimum height to achieve an unbroken line?
- Consult with paint or coating manufacturers for suitability of intended finishes to be applied to Surround by Laminex panels. It is recommended to test the intended finish on the pre-primed surface before project commencement.

## 5.1 Tools and equipment

This is not an exhaustive list, but it is recommended that the following are checked and available:

- Tape Measure
- Spirit Level
- String Line or equivalent
- Hand saw or Power Saw
- Hammer and/or Nail Gun or Screw Gun
- Pencil or chalk for marking out
- Caulking gun
- Sanding sponge

### Consumables

- Nails and screws are to be long enough to penetrate studs and noggins by at least 25-30mm beyond the depth of the Surround by Laminex panel. Check for suitability if using nail guns or screw guns.
- Flexible construction adhesive to be used to glue the panels to the frames or studs and noggins. Ensure that the adhesive permits a 25% movement capability. We recommend using Sikaflex 111 - Flexible adhesive (SMP - Silane Modified Polymer).
- PVA adhesive is recommended for gluing corners together and supporting moulding such as dado rails in place before fixing.
- Sealants and/or Gap Fillers to be used when fixing other trims such as timber mouldings skirtings and cornices. A 25% movement capability and paintable finish is required.
- Material off-cuts or other spacers
- Timber based filler to fill nail/screw holes.

### Workplace

Keep work area clean, uncluttered and well lit.

Avoid panel contact with abrasive surfaces, grit or other processing debris. Contamination trapped between sheets will cause surface indentations, marring or scratching.

Avoid contact with solvents, moisture and oil which can contaminate the panels and affect the performance of adhesives and coatings.

When cutting panels ensure that the full panel is well supported before any cutting or processing.

## 5.2 Cutting

Surround by Laminex panels can be readily cut with a power saw or hand saw. New or sharpened blades should always be used as blunt or dull blades will decrease the accuracy and finish of cuts.

Surround by Laminex panels should be cut only on saws that have a scribing blade on the underside.

Cont >

When using a powered saw, cut the panels with the decorative face down and when using a handsaw cut the panels with the decorative face side up. It is recommended that a test piece be cut to verify the correct decorative face position for the specific cutting equipment to be used.

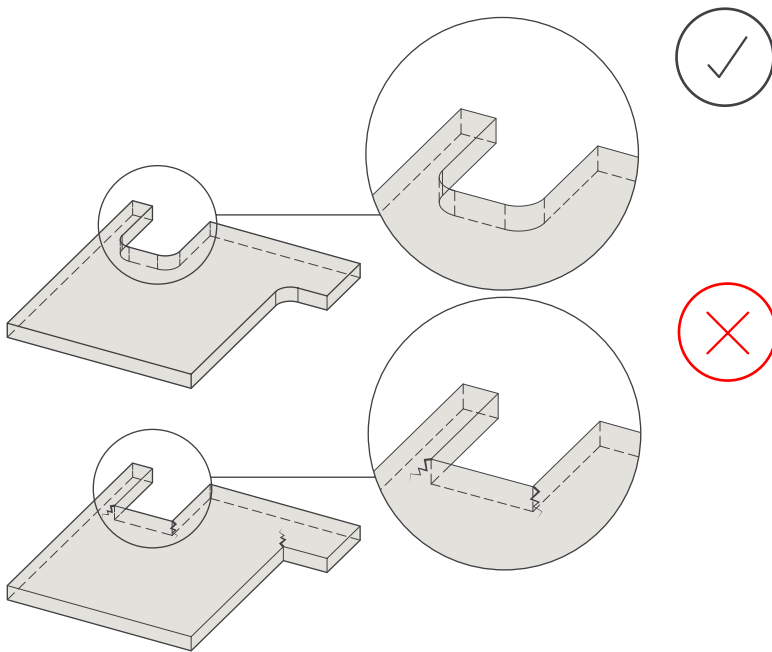
If using a router, do not allow the cutter to take too deep a cut at a time and only trench a maximum of one third of the thickness, per pass.

## 5.3 Openings and cut-outs

Any internal corner or aperture must be cut with a minimum internal radius of 10mm.

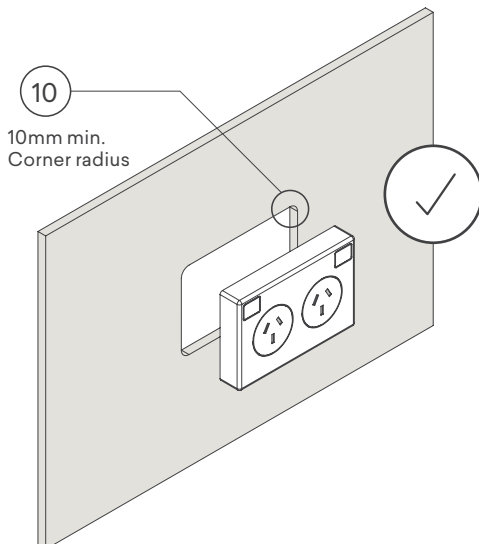
All edges must be smooth and free of damage, cracks, dents or notches.

- Ⓢ Cracks or any other failure attributable to non-compliant openings or cut-outs will not be recognised under warranty.



Cut-outs can be made with a router or by pre-drilling a hole with an appropriate diameter drill bit to meet internal radius requirements and then cut between drill holes.

Any access cut-outs for GPO (electrical outlets), air conditioning vents, light switches, or similar, must not be located less than 150mm from the edge of the Surround by Laminex panel.



## 6.1 Planning

Before starting your project using Surround by Laminex it is important to identify some key attributes of the area in which the material will be placed and to plan the installation of the panels.

### Wall type

What kind of wall are the panels to be affixed to? Is it a direct fix to studs, fitted onto masonry/brick, steel or timber frames, or are the panels to be used over existing plaster walls? These considerations will inform which fixing method is appropriate and what preparation may be required to prepare the space, and the tools required.

### Openings and cut-outs

How many windows or doors openings appear within the project? Take note of any requirements to cut in GPO outlets, air-conditioning vents or other similar attributes that will require panels to be pre-cut before fixing to the wall.

### Internal and external corners

Planning for the joining of sheets and the overall layout will include noting where panels may be applied around an internal or external corner.

### Full height panels or part height panels

Will full height panels be used or are part height panels with painted or other finishes for the balance of the wall, to be considered?

### Mouldings and dado rails

If the use of mouldings and dado rails is anticipated, how high up the wall they are to appear, will they be interrupted by architraves on windows or doors and what is the optimum height to achieve an unbroken line where practical, are all recommended considerations in the planning of the project.

### Mixing Surround by Laminex decors on a wall

If more than one design of Surround by Laminex wall panelling is considered for the project, the appearance of the panels in both the height and the width of the wall is important. The use of different decors together is recommended with the addition of a dado rail applied along the interface join between the two patterns.

### Measuring your space

Measure twice and cut once for the success of any project involving wood-based materials. It is vital that measurements are accurate for the correct ordering of panels and accessories. Pre-purchase estimating of Surround by Laminex panels should allow for expansion gaps of 10mm adjacent to any fixtures.



## Prepare your panels

Surround by Laminex is made from Medium Density Fibreboard (MDF). MDF responds to the humidity and temperature of the surrounding environment, affecting the moisture content of the product and resulting in panel dimensional change.

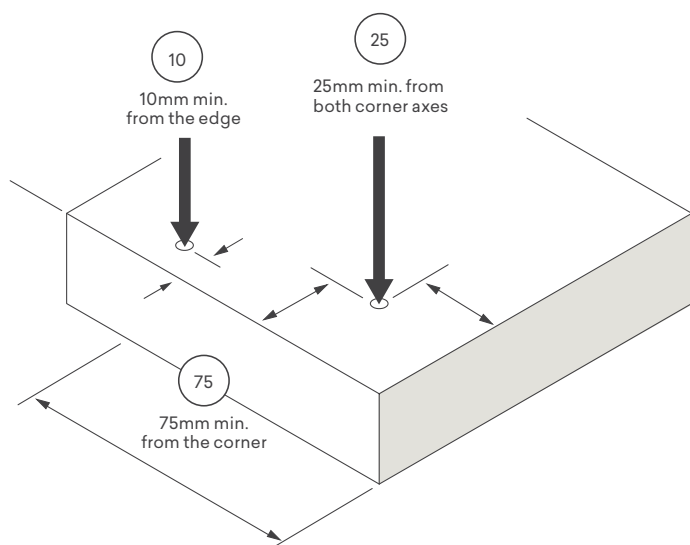
Surround by Laminex panels need to acclimatise for a minimum of 48 hours onsite before installation. This should be integrated into the ordering, delivery and project planning.

## 6.2 Fixing

Fixings should be carefully positioned to prevent splintering and breakout.

No face fixings are allowed less than 25mm to a corner or less than 10mm to an edge.

No edge fixings are allowed less than 75mm to a corner.



When applying fixings with power tools (nail gun, screw gun) only use enough pressure to drive the head of the nail or screw marginally below the surface of the panel. Splitting of the panel can occur if the pressure is too high or if the fixing is driven in too far, tooling marks will show on the finished surface.

### 6.2.1 Nails

Finishing nails provide better holding power than smooth nails. Driving nails in at an angle further increases the holding power. Drill a pilot hole to avoid splitting.

### 6.2.2 Screws

Parallel threaded screws are recommended for fixing Surround by Laminex panels.

To avoid splitting the panel when screwing into the panel edge the diameter of the screw selected for use should not exceed 20% of the panel thickness.

Pilot holes are recommended for use to avoid splitting. They should be drilled at least 2-3mm longer than the screw length to be used and be approximately 80% of the screw core diameter. Do not over tighten screws as further turning after screw is tight will reduce holding power and increase the risk of fracture or splitting of the panel.

When a long line of screws is used, it is recommended to stagger the screws to prevent any split in the substrate being affixed to.

## 6.3 Expansion gaps and dimensional tolerance

### Wall to floor interface

A minimum expansion gap of 10mm MUST be left between the top surface of the primary floor and the bottom edge of the Surround by Laminex panel. Fixings of moulding / wall skirtings must maintain the unimpeded 10mm gap.

### Wall to ceiling interface

A minimum expansion gap of 10mm MUST be left between the top edge of the Surround by Laminex panel and the primary ceiling. Fixings of a cornice or moulding must maintain the unimpeded 10mm gap.

### Panel to Panel interface

Surround by Laminex panels are supplied with a tongue and groove joining system.

Do not install adjacent panels without the supplied tongue

A minimum 1.0mm to 1.5mm expansion gap MUST be allowed between each adjacent Surround by Laminex panel.

DO NOT "Hard Knock" adjacent panels into position.

### Panel to fixture interface

A fixture is defined as any permanent structure affixed to the wall or ceiling, including architraves.

A minimum expansion gap of 10mm MUST be left between the edge of the Surround by Laminex panel and the fixture.

### Full run wall expansion allowance

An allowance of 1mm expansion gap for every meter of horizontal wall length covered, MUST be allowed at the start and finish of each wall.

*Example:* A horizontal wall length of 7m will require an expansion gap of  $7 \times 1\text{mm} = 7\text{mm}$  total gap allowance to be evenly applied to both ends of the wall. Hence, 3.5mm at the start and 3.5mm at the end of the wall installation.

Ⓜ Any expansion gap allowance non-compliance will not be recognised under warranty.

## 6.4 Fixing to timber stud walls and/or steel framed walls

### 6.4.1 Preparing the wall

Studs must be spaced at no more than 600mm centres.

For commercial high traffic areas, studs must be spaced at no more than 450mm centres.

Where sheets will need to be joined between studs place a noggin at 700mm to support the join.

If Surround by Laminex panels are to be used for partial wall height installations, place a noggin just below the top edge of the panel for support.

Check that the frame is straight and true with a spirit level. Any amendment to a frame required to rectify irregularities, must be conducted by a qualified trades person.

Please refer to and comply with all expansion gap requirements.

For any application where 9mm Surround by Laminex panels are applied to the internal side of an externally facing wall, the back surface of the Surround by Laminex panel must be primed. This is to minimise moisture transfer from external environments.

### 6.4.2 Installing the sheets

Start from one corner of the installation and work across.

Apply generous amounts of construction adhesive on each stud/noggin behind each Surround by Laminex panel. It is recommended to follow the adhesive manufacturer's instructions for the amount to be used.

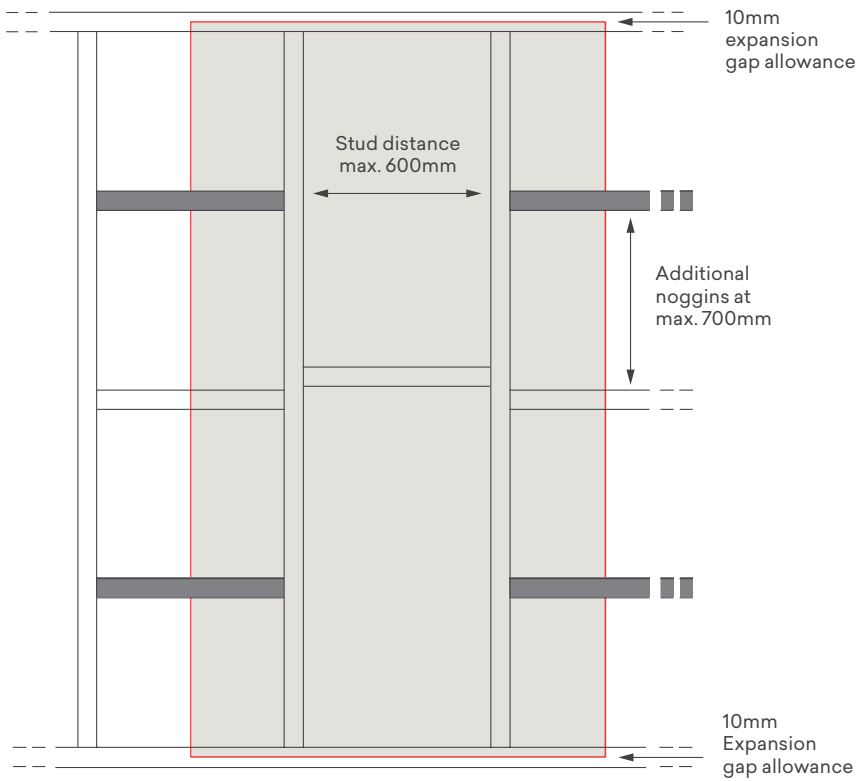
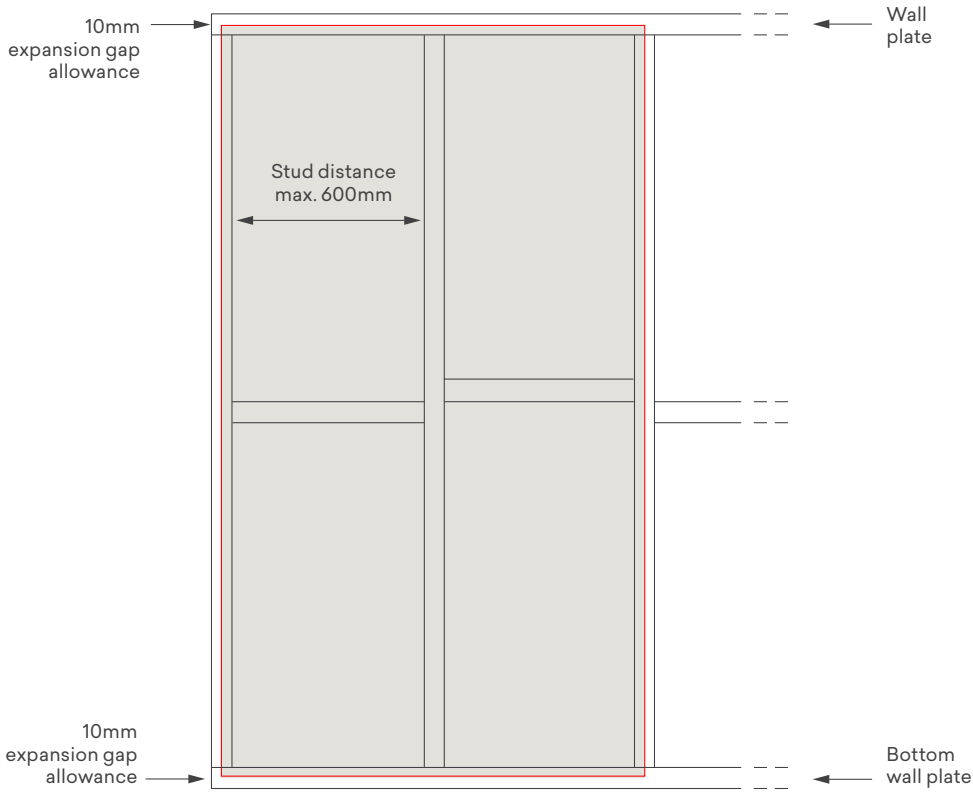
Ensure there is a 10mm expansion gap at the wall to floor interface. Material off-cuts or other spacers can be used as a removable prop to lift the Surround by Laminex panel off the floor.

Ensure there is a 10mm expansion gap at the wall to ceiling interface.

- Use a spirit level to ensure the Surround by Laminex panel is accurately placed onto the frame.
- Using nails or screws, fix the panels to the battens/furring channels. Space the nails/screws approx. 200mm to 300mm apart.
- Fix nails/screws 50mm from side and 10mm from top and bottom of the Surround by Laminex panel.
- It is important that a fixing pattern be followed. The fixing should work from the centre out in every direction. If this is not possible on larger panels, fix along one side first and then work across the panel on all patterns evenly.
- Remove the spacer from the bottom of the Surround by Laminex panel.
- Fix the other panels using the same method outlined above, working along the wall from the first panel.
- Make sure you leave a 1.0mm to 1.5mm gap at each join to allow for expansion of the panels.
- When you get close to the corner or a doorway, measure the gap from the fixed panel to the corner and cut the next panel so that it fits the remaining space. Fix the panel using the same method as described above.
- Do not hard knock panels together.

# Timber or steel frames – Full wall

# 6.0 Installation



**Surround by Laminex panel**

NOTE: Extra noggins not required when full panels are joined on studs

**Additional Noggin**

NOTE: Extra noggins required when full joins are NOT on studs

## 6.5 Fixing to brick and block walls or masonry

### 6.5.1 Preparing the wall

Battens or furring channels (a hat shaped corrosion resistant framing batten used to furr/flatten and smooth out masonry wall assemblies) should be employed. Fasten battens or channels to the brick wall surface using concrete nails or power-driven fasteners per instructions supplied with the fixings.

The battens/furring channels should be fitted horizontally at approximately 450mm apart to promote airflow behind the Surround by Laminex panels.

- Ⓜ Direct fixing to brick, blockwork or masonry is not permitted and will not be recognised under warranty.

If Surround by Laminex panels are to be used for partial wall height installations, place a noggin just below the top edge of the panel for support.

Check that battens/furring channels are straight and true with a spirit level and amend any irregularities.

Please refer to and comply with all expansion gap requirements.

For any application where 9mm Surround by Laminex panels are applied to the internal side of an externally facing wall, the back surface of the Surround by Laminex panel must be primed. This is to minimise moisture transfer from external environments.

## 6.5.2 Installing the sheets

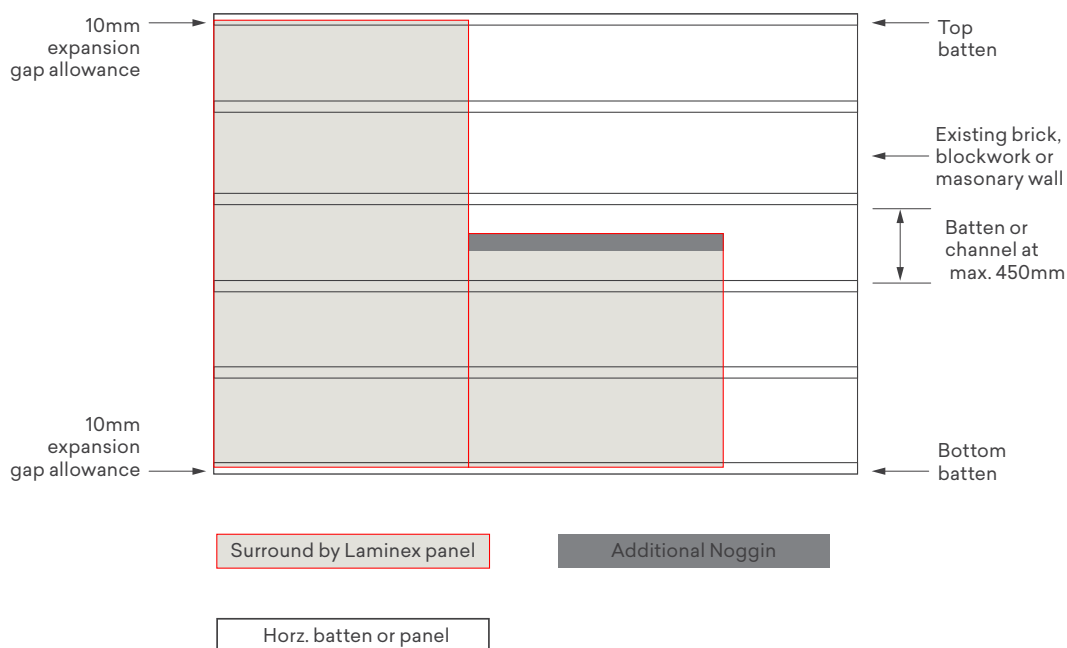
Start from one corner of the installation and work across.

Apply generous amounts of construction adhesive on each batten/furring channel behind each Surround by Laminex panel. It is recommended to follow the adhesive manufacturer's instructions for the amount to be used.

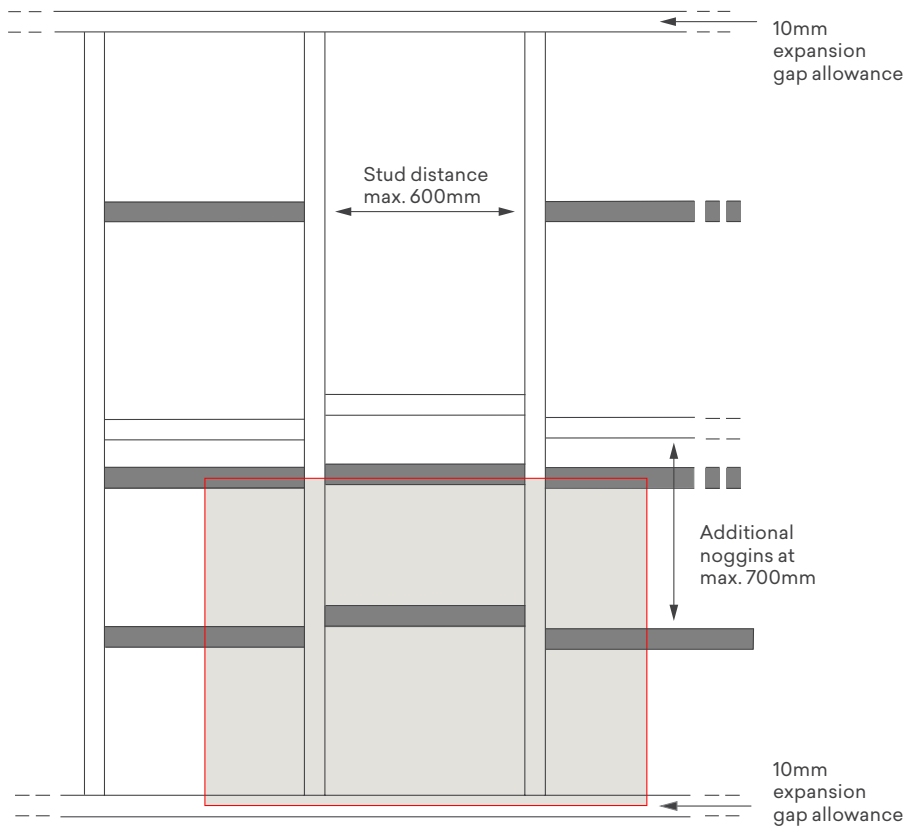
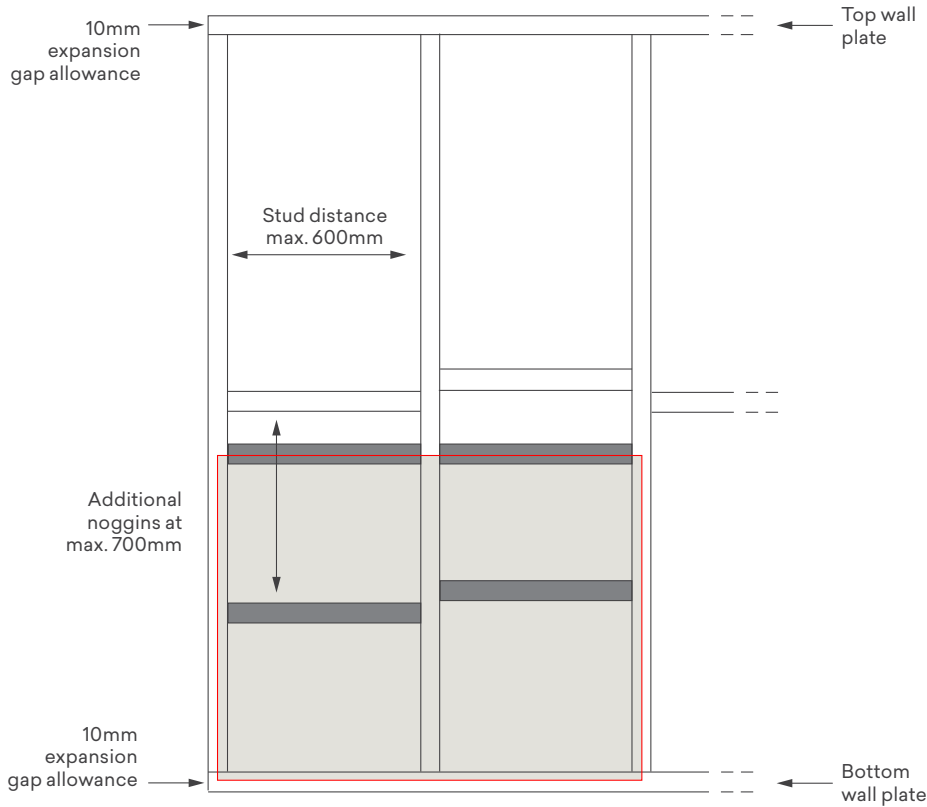
Ensure there is a 10mm expansion gap at the wall to floor interface. Material off-cuts or other spacers can be used as a removable prop to lift the Surround by Laminex panel off the floor.

Ensure there is a 10mm expansion gap at the wall to ceiling interface.

- Use a spirit level to ensure the Surround by Laminex panel is accurately placed onto the frame.
- Using nails or screws, fix the panels to the battens/furring channels. Space the nails/screws approx. 500mm apart.
- Fix nails/screws 50mm from side and 10mm from top and bottom of the Surround by Laminex panel.
- It is important that a fixing pattern be followed. The fixing should work from the centre out in every direction. If this is not possible on larger panels, fix along one side first and then work across the panel on all patterns evenly.
- Remove the spacer from the bottom of the Surround by Laminex panel.
- Fix the other panels using the same method outlined above, working along the wall from the first panel.
- Make sure you leave a 1.0mm to 1.5mm gap at each joint to allow for expansion of the panels.
- When you get close to the corner or a doorway, measure the gap from the fixed panel to the corner and cut the next panel so that it fits the remaining space. Fix the panel using the same method as described above.
- Do not hard knock panels together.



# Timber or steel frames – Partial wall



Surround by Laminex panel

NOTE: Extra noggins not required when full panels are joined on studs

Additional Noggin

NOTE: Extra noggins required when full joins are NOT on studs

## 6.6 Fixing to plaster walls

### 6.6.1 Checking & preparing the wall frame behind the plaster

When installing Surround by Laminex on an existing wall, it is vital that the studs are located. The studs are to be used as fixing points during installation.

Studs must be spaced at no more than 600mm centres. Ensure the studs are checked using a stud finder to locate and ensure suitability of the underlying wall frame.

### 6.6.2 Installing the sheets

Start from one corner of the installation and work across.

Apply generous amounts of construction adhesive in the location of each stud/noggin behind each Surround by Laminex panel. It is recommended to follow the adhesive manufacturer's instructions for the amount to be used.

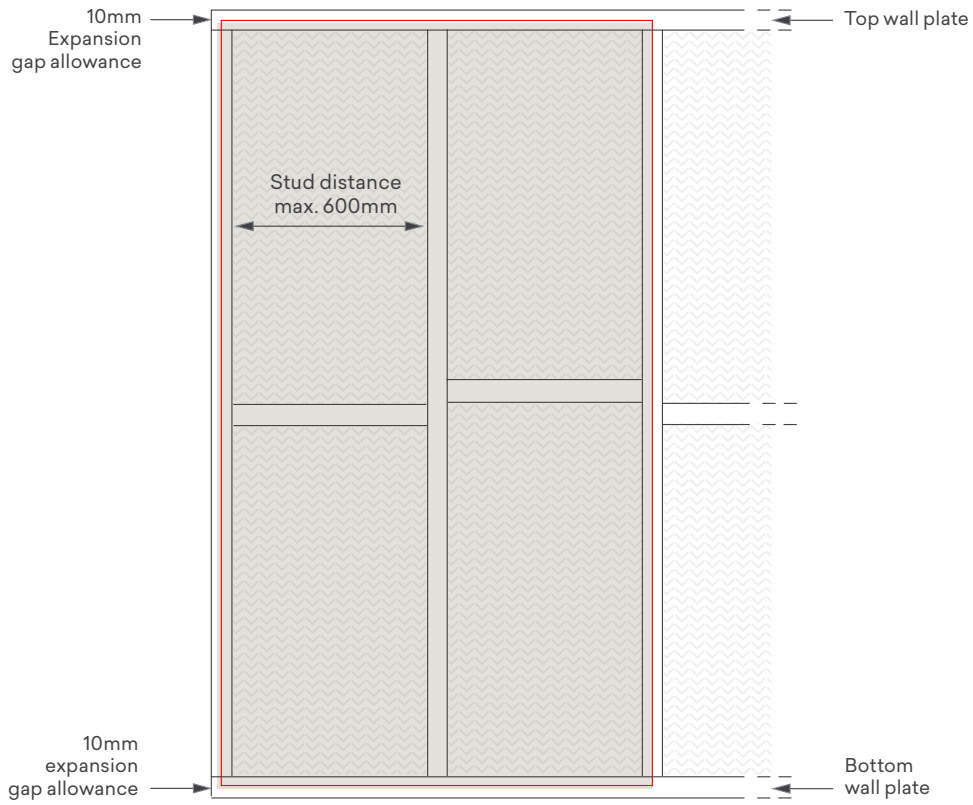
Ensure there is a 10mm expansion gap at the wall to floor interface. Material off-cuts or other spacers can be used as a removable prop to lift the Surround by Laminex panel off the floor.

Ensure there is a 10mm expansion gap at the wall to ceiling interface.

- Use a spirit level to ensure the Surround by Laminex panel is accurately placed onto the frame.
- Using nails or screws, fix the panels to the battens/furring channels. Space the nails/screws approx. 200mm to 300mm apart.
- Fix nails/screws 50mm from side and 10mm from top and bottom of the Surround by Laminex panel.
- It is important that a fixing pattern be followed. The fixing should work from the centre out in every direction. If this is not possible on larger panels, fix along one side first and then work across the panel on all patterns evenly.
- Remove the spacer from the bottom of the Surround by Laminex panel.
- Fix the other panels using the same method outlined above, working along the wall from the first panel.
- Make sure you leave a 1.0mm to 1.5mm gap at each join to allow for expansion of the panels.
- When you get close to the corner or a doorway, measure the gap from the fixed panel to the corner and cut the next panel so that it fits the remaining space. Fix the panel using the same method as described above.
- Do not hard knock panels together.



# Existing Wall – Full Wall



Surround by Laminex panel

NOTE: Extra noggins not required when full panels are joined on studs

Additional Noggin

NOTE: Extra noggins required when full joins are NOT on studs

## 6.7 Horizontal applications of Surround by Laminex panels

Installing sheets Horizontally utilizes the same methods of installation for the wall substrates as described in the previous chapters with additional focus given to the following:

### 6.7.1 Planning join locations

The location of joins in horizontal applications for Surround panels is more critical as these potentially need to be larger, depending upon the total length of the wall. Joining two 3600mm panel together on a 7200mm wall, then a 10mm minimum gap is required between the panels and at the end of each panel- or at junctions to window and door frames.

The vertical ends of horizontally installed panels do not have the integrated joining tongue and groove. An alternative form of join should be used such as an expressed or negative details, or overlaid trims like dado rails can be used. The join method must allow for panel movement.

The location of the join should therefore be located centrally on the wall or place the main panel centrally to the wall, with cut panels either side in equal proportions to ensure a balanced look is achieved.

The ends of the panels should be supported by additional wall studs or battens if a frame wall, or adhesive if directly sticking to sheeted or plaster walls.

Horizontal joins are aligned by the tongue and groove. This join should be supported by noggings to protect the join from impact movement.

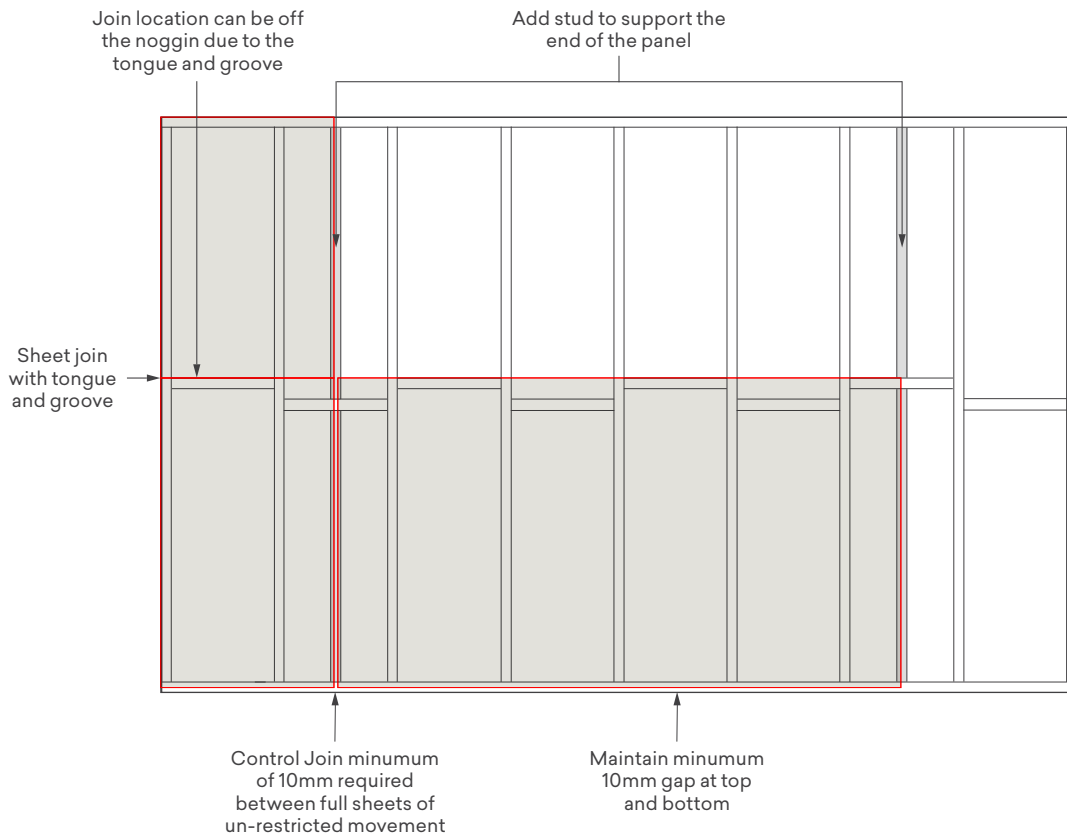
### 6.7.2 Installation

Install the base level panels first.

Use a spirit level to ensure the panels are level. Using spacing blocks on the floor to allow for the panel to be levelled while providing the 10mm expansion gap at the junction with the floor.

- Once level, and the joins correctly located, using nails or screws, fix the panels to the battens/furring channels. Space the nails/screws approx. 200mm to 300mm apart.
- Fix nails/screws 50mm from side and 10mm from top and bottom of the Surround by Laminex panel.
- It is important that a fixing pattern be followed. The fixing should work from the centre out in every direction. If this is not possible on larger panels, fix along one side first and then work across the panel on all patterns evenly.
- Remove the spacer from the bottom of the Surround by Laminex panel.
- The next level or panels can now be placed into position using the tongue and groove to align the joins. Do not force these joins tightly together- they are designed to allow the panels to move.
- Fix the other panels using the same method outlined above.
- The vertical expansion gaps should be maintained, ensuring these are not stepped and evenly spaced preserving the expansion gap.
- When you get close to the corner or a doorway, measure the gap from the fixed panel to the corner and cut the next panel so that it fits the remaining space. Fix the panel using the same method as described above.

## Horizontal applications



Ⓜ Use of butt joints between panels ends will not be recognized under warranty.

## 6.8 Installation of Surround by Laminex in High Humidity & Damp Areas

**DISCLAIMER:** Surround by Laminex Wall Panels cannot be installed in direct 'Splash Zones'. This includes showers or in any application where a vessel (bath, tapware or basin) is within 75mm of the wall. However, Surround by Laminex Wall Panels can be installed on all other walls within bathrooms and laundries, so long as the installation complies and is in accordance with AS 3740 and NCC Volume One, F1.7 and Volume Two, 3.8.1).

### 6.8.1 Fixing to plaster walls

When installing Surround by Laminex on an existing wall, it is vital that the studs are located. The studs are to be used as fixing points during installation.

As this is an existing wall, studs should be placed at no greater than 600mm centres.

Ensure the studs are located using a stud finder and ensure suitability of the underlying wall frame. Stud and noggin locations should accommodate proposed location of plumbing and fixings. Heavy items should not be directly attached to the Surround wall surface without support from the wall studs.

In some cases, the removal of tiles will have resulted in damage or partial removal of the existing plasterboard. This will require a disruption of the existing plaster surface. Please consult with qualified trades as required for this process. Caution should be taken not to impact or disrupt electrical wiring, plumbing or other services within the wall. Only qualified tradespeople should be involved in any modifications that are required to internal wall cavities.

And in some cases, the existing wall may have been removed all together. Please refer to section 6.8.3 for further instructions on the installation of Surround by Laminex directly on to a stud wall.

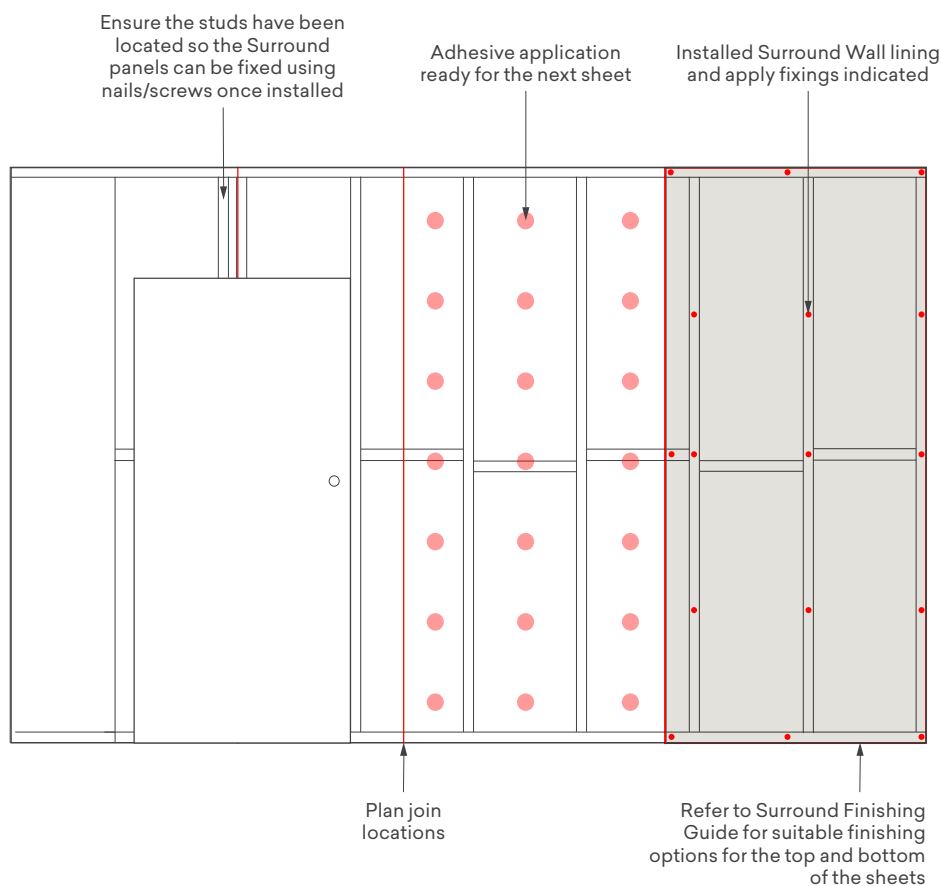
If planning on using a floor tile as a skirting in the bathroom and if the provisions of AS 3740 – Waterproofing of Domestic Wet Areas are met, then a waterproofing membrane may be in place in the immediate vicinity of the walk-in shower and splash zone.

It is extremely important that all substrate (MDF) edges – including cutouts for pipes & tapware – are sealed appropriately and effectively. This can be done so by applying at least one coat of primer and two coats of acrylic top coat paint prior to being exposed to any area where moisture may be present.

Once the spacing and joint location has been planned, which may necessitate the first sheet being cut, start from one corner of the installation and work across.

Penetration through Surround by Laminex panels to accommodate taps or spouts of any description, should be sealed to prevent moisture ingress to the panel and prevent leakage behind the panels.

Ⓢ Claims resulting from failure to adequately seal all exposed edges will not be recognized.



Apply generous amounts of construction adhesive behind each Surround by Laminex panel. It is recommended to follow the adhesive manufacturer's instructions for the amount to be used.

Ensure there is a 10mm expansion gap at the wall to floor interface. Material off-cuts or other spacers can be used as a removable prop to lift the Surround by Laminex panel off the floor.

- Use a spirit level to ensure the Surround by Laminex panel is accurately placed onto the wall.
- Using nails or screws, fix the panels to the battens/furring channels. Space the nails/screws approx. 200mm to 300mm apart.
- Fixings should not be closer than 100mm from top and bottom or 50mm from the edge of the panels.
- It is important that a fixing pattern be followed. The fixing should work from the centre out in every direction. If this is not possible on larger panels, fix along one side first and then work across the panel on all patterns evenly.
- Remove the spacer from the bottom of the Surround by Laminex panel.
- Fix the other panels using the same method outlined above, working along the wall from the first panel.
- Make sure you leave a 1.0mm to 1.5mm gap at each join to allow for expansion of the panels.
- When you get close to the corner or a doorway, measure the gap from the fixed panel to the corner and cut the next panel so that it fits the remaining space. Fix the panel using the same method as described above.
- Do not hard knock panels together.

Once installed It is extremely important to ensure all gaps around the panels are sealed so moisture is not exposed to the rear side of the panels.

## 6.8.2 Fixing to timber stud walls and/or steel framed walls

Studs must be spaced at no more than 600mm centres.

For commercial high traffic areas, studs must be spaced at no more than 450mm centres.

Where sheets will need to be joined between studs place a noggin at 700mm to support the join.

If Surround by Laminex panels are to be used for partial wall height installations, place a noggin just below the top edge of the panel for support.

Check that the frame is straight and true with a spirit level. Any amendment to a frame required to rectify irregularities, must be conducted by a qualified trades person.

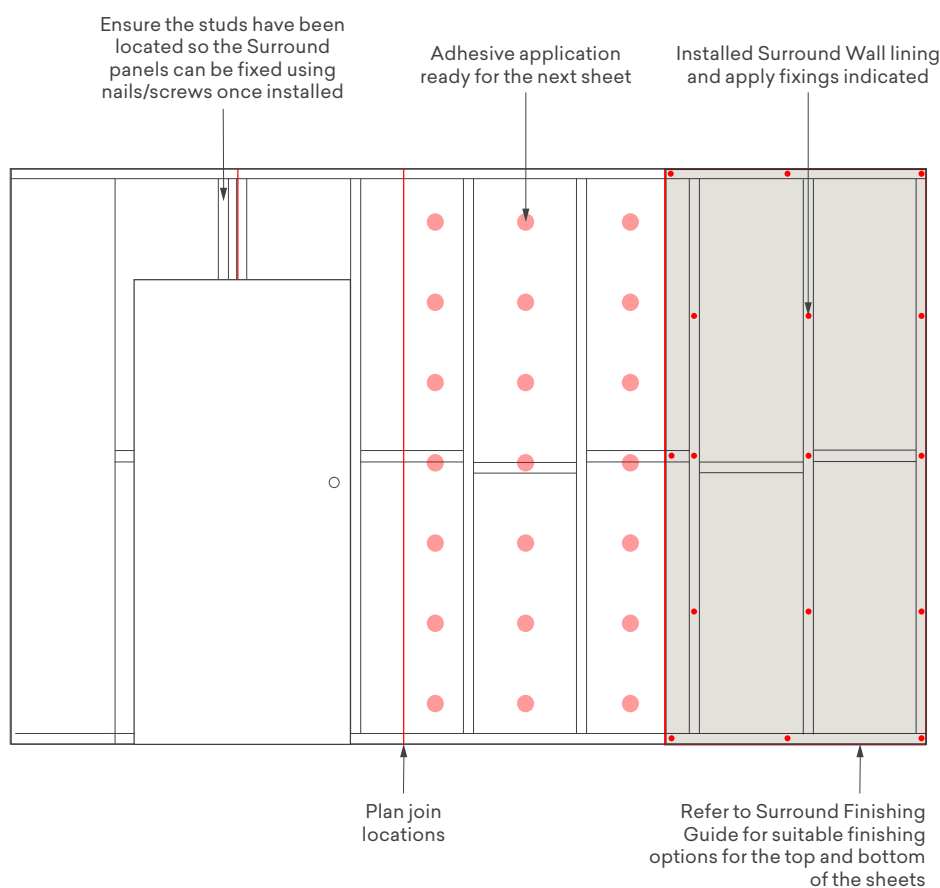
Please refer to and comply with all expansion gap requirements.

For any application where 9mm Surround by Laminex panels are applied to the internal side of an externally facing wall, the back surface of the Surround by Laminex panel must be primed. This is to minimise moisture transfer from external environments.

If planning on using a floor tile as a skirting in the bathroom and if the provisions of AS 3740 – Waterproofing of Domestic Wet Areas are met, then a waterproofing membrane may be in place in the immediate vicinity of the walk-in shower and splash zone.

It is extremely important that all exposed substrate (MDF) edges are sealed appropriately and effectively. This can be done so by applying at least one coat of primer and two coats of acrylic topcoat paint prior to being exposed to any area where moisture may be present.

Once the spacing and joint location has been planned, which may necessitate the first sheet being cut, start from one corner of the installation and work across.



Apply generous amounts of construction adhesive on each stud/noggin behind each Surround by Laminex panel. It is recommended to follow the adhesive manufacturer's instructions for the amount to be used.

Ensure there is a 10mm expansion gap at the wall to floor interface. Material off-cuts or other spacers can be used as a removable prop to lift the Surround by Laminex panel off the floor.

Ensure there is a 10mm expansion gap at the wall to ceiling interface.

- Use a spirit level to ensure the Surround by Laminex panel is accurately placed onto the frame.
- Using nails or screws, fix the panels to the battens/furring channels. Space the nails/screws approx. 200mm to 300mm apart.
- Fix nails/screws 50mm from side and 10mm from top and bottom of the Surround by Laminex panel.
- It is important that a fixing pattern be followed. The fixing should work from the centre out in every direction. If this is not possible on larger panels, fix along one side first and then work across the panel on all patterns evenly.
- Remove the spacer from the bottom of the Surround by Laminex panel.
- Fix the other panels using the same method outlined above, working along the wall from the first panel.
- Make sure you leave a 1.0mm to 1.5mm gap at each join to allow for expansion of the panels.
- When you get close to the corner or a doorway, measure the gap from the fixed panel to the corner and cut the next panel so that it fits the remaining space. Fix the panel using the same method as described above.
- Do not hard knock panels together.

Once installed It is extremely important to ensure all gaps around the panels are sealed so moisture is not exposed to the rear side of the panels.

### **6.8.3 Painting Surround by Laminex Panels in High Humidity & Damp Areas**

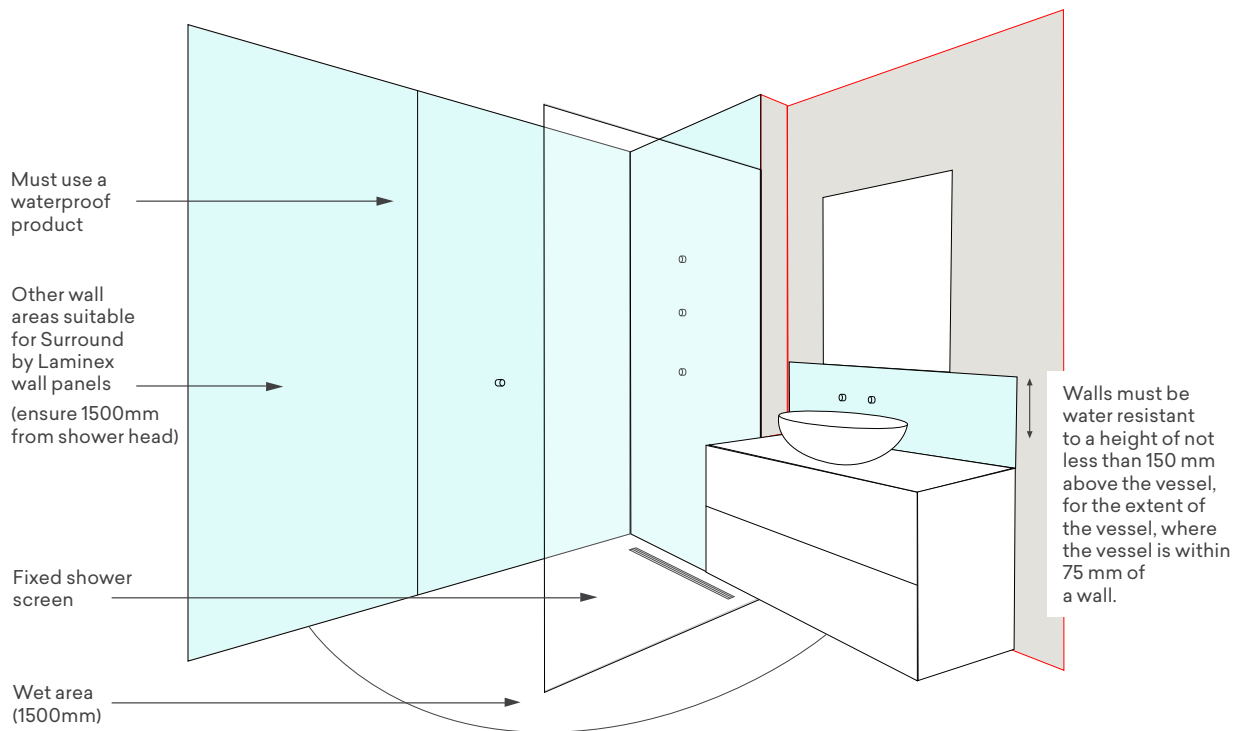
Prior to installing Surround by Laminex Wall Panels in High Humidity & Damp Areas, ALL edges and the front surface MUST be completely sealed with a sealer primer undercoat . This includes when cutting holes for piping or tapware, and cutting the panels to your desired length. The faces should have at least two coats of acrylic top coat paint, or as advised by the paint manufacturer.

To avoid cracking or warping, in areas exposed to full sunlight, dark colour paints should not be used. The light reflective value (LRV) should be 50% or more for interior applications. The paint manufacturer can detail the LRV of the paint being applied.

Always use high quality paint and follow the paint manufacturers' installation instructions regarding the amount of coats required. For the best finish, low gloss or satin finish paints are recommended.

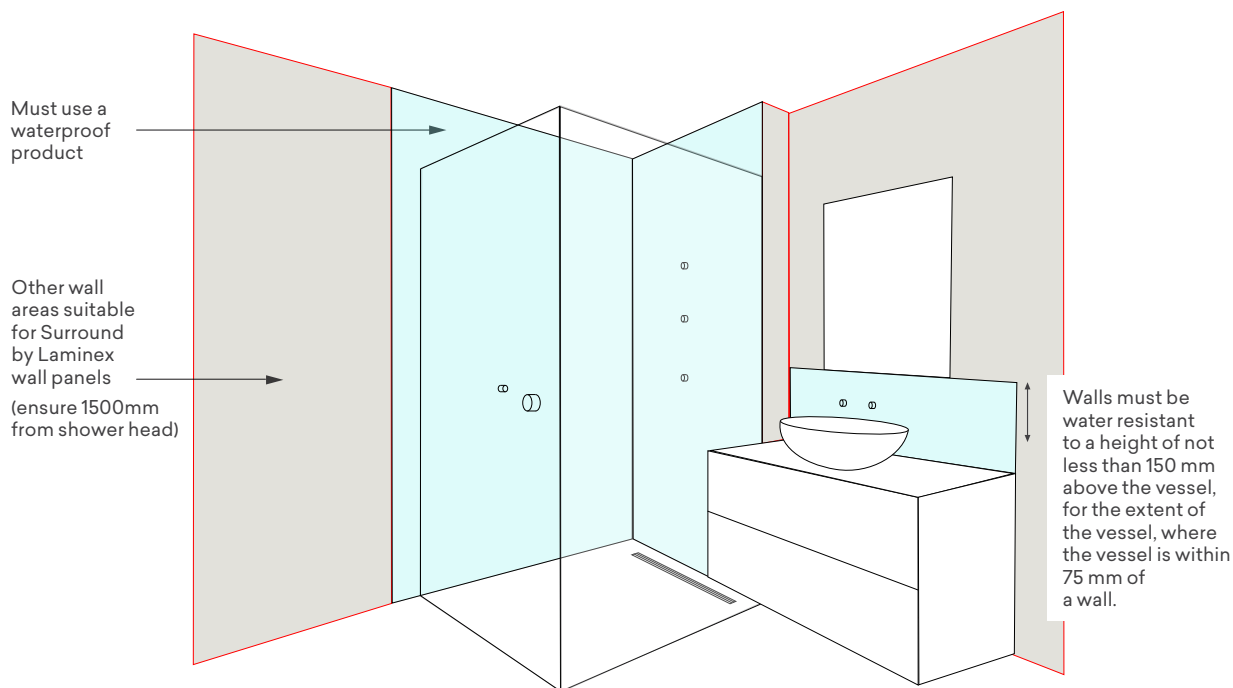
The Australian Standard AS/NZS 2311:2017 Guide to the painting of buildings is the recognised industry standard for the painting industry.

## Open Shower



Surround by Laminex panels MUST not be in a location where they will get wet.

## Enclosed Shower



### Key

- Splash Zone (Waterproofing Required)
- Surround by Laminex Panels

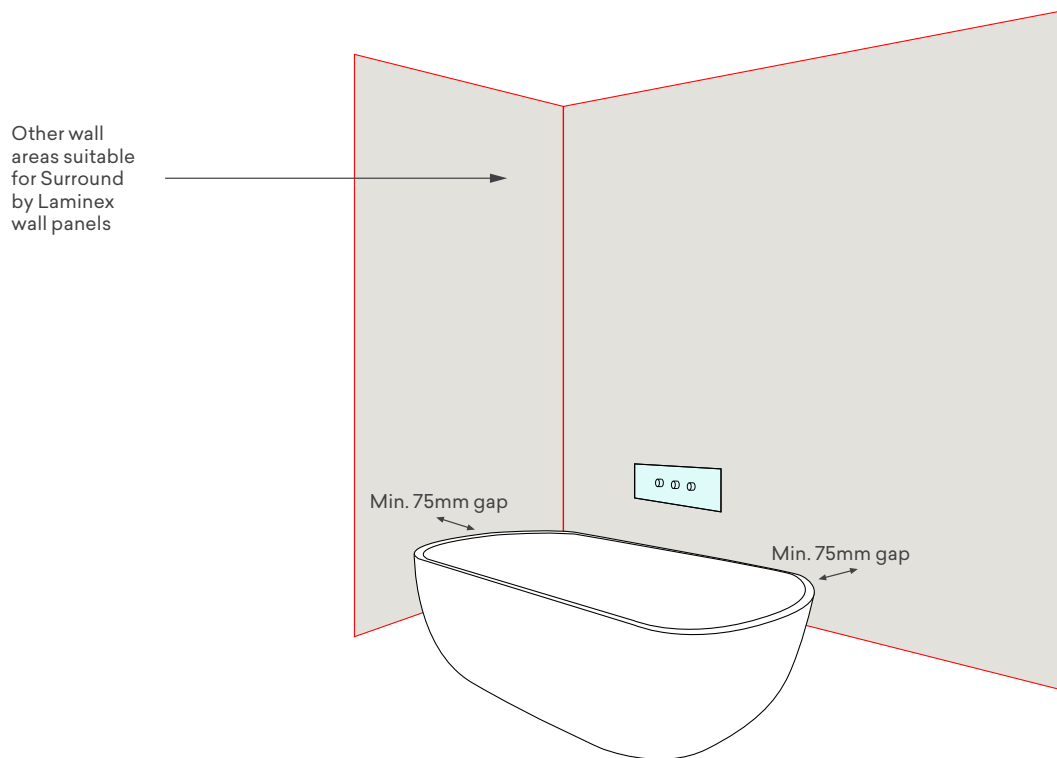
Installation must comply to:  
 - AS3740-2010: Waterproofing of Domestic Wet Areas, and;  
 - Australian Construction Code - ACC Vol.1 & Vol. 2 - Building Code of Australia.

Laminex reserves the right to update this document prior to the stated expiry date. Refer to laminex.com.au for the latest revision of this document.

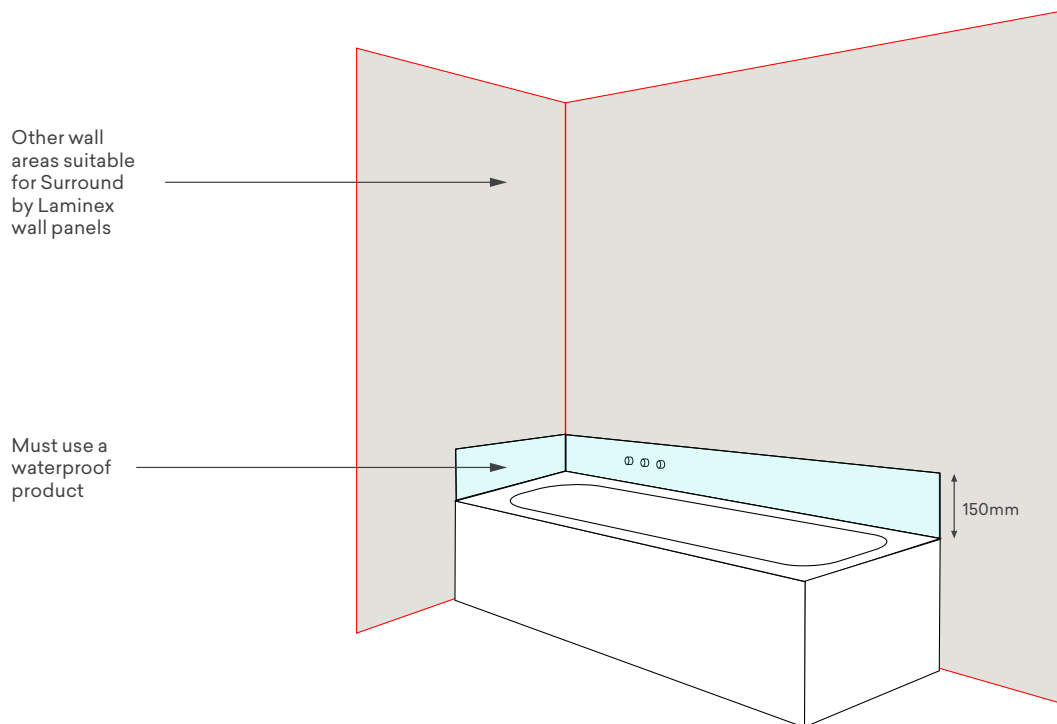
Version 3 Issued: 06/2022  
 Document Expiry Date: 12/2022



## Bath – free standing



## Bath – fixed



### Key

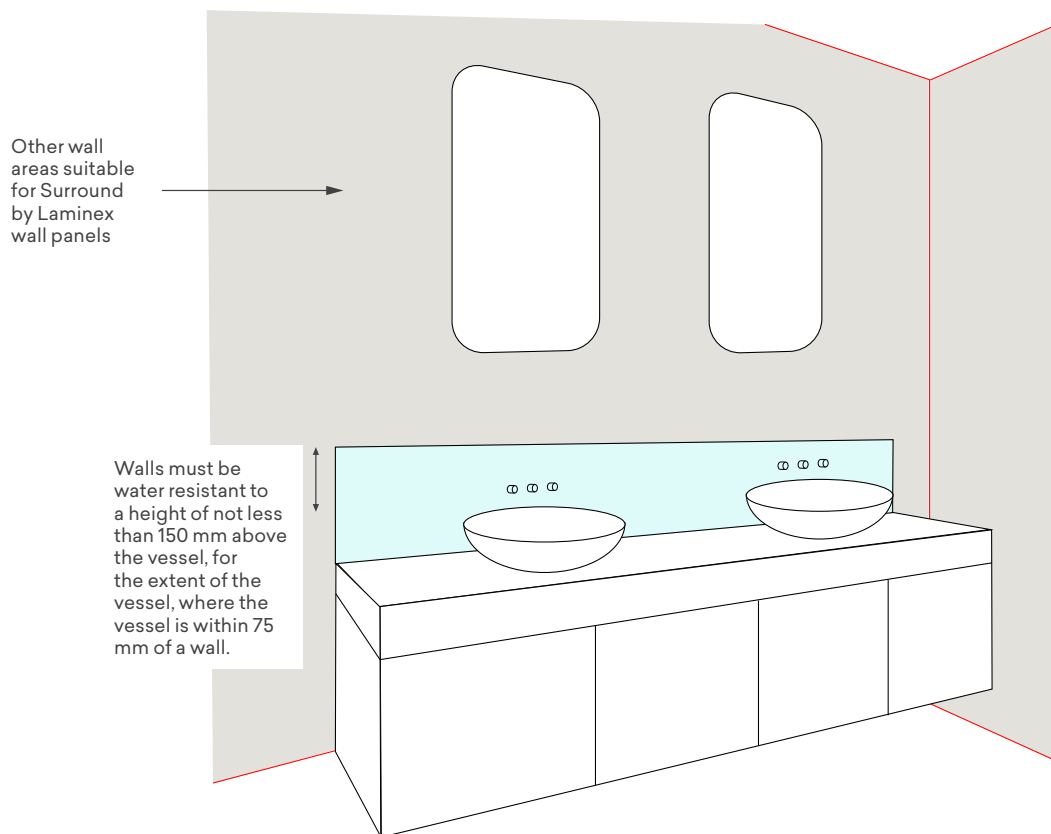
- Splash Zone (Waterproofing Required)
- Surround by Laminex Panels

Installation must comply to:  
 - AS3740-2010: Waterproofing of Domestic Wet Areas, and;  
 - Australian Construction Code - ACC Vol.1 & Vol. 2 - Building Code of Australia.

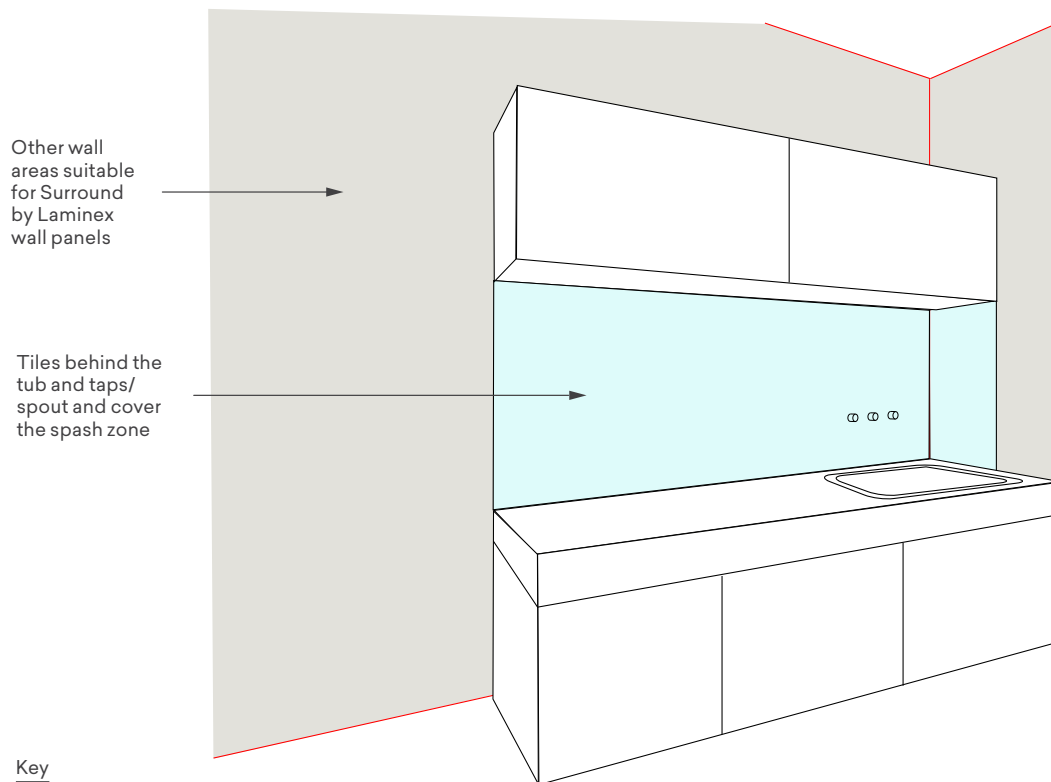
Laminex reserves the right to update this document prior to the stated expiry date. Refer to [laminex.com.au](http://laminex.com.au) for the latest revision of this document.

Version 3 Issued: 06/2022  
 Document Expiry Date: 12/2022

## Vanity



## Laundry



### Key

- Splash Zone (Waterproofing Required)
- Surround by Laminex Panels

Installation must comply to:  
 - AS3740-2010: Waterproofing of Domestic Wet Areas, and;  
 - Australian Construction Code - ACC Vol.1 & Vol. 2 - Building Code of Australia.

Laminex reserves the right to update this document prior to the stated expiry date. Refer to [laminex.com.au](http://laminex.com.au) for the latest revision of this document.

Version 3 Issued: 06/2022  
 Document Expiry Date: 12/2022

## 6.9 Installation of SURROUND by Laminex adjacent to Fireplaces & Stoves

**Safety:** When planning to install SURROUND by Laminex wall panels near your fireplace, safety is the most important consideration. Before installing a fireplace make sure you have checked all safety standards and clearance rules that apply. The distance required between a fireplace unit and any combustible material have regulations set out in the fireplace Australian Safety Standards. It is also important to check state-based regulations as rules vary from state to state.

- Ⓜ Standard SURROUND by Laminex panels are made from MDF, which is classified as a combustible (Group 3) material. SURROUND by Laminex must only be installed in locations where a Group 3 (or above) combustible material is permitted adjacent to the heat source.
- Ⓜ Damage caused by installation adjacent to or around a fireplace is not protected under warranty. Smoke, creosote, ash & soot deposits may permanently damage or impact the appearance of the panels and may be difficult to clean.
- Ⓜ Damage to SURROUND by Laminex panels caused by a poorly maintained fireplace, flue or other fittings and fixtures used in association is not protected under warranty.

The fireplace design, type of fuel it uses and whether it emits heat, smoke, embers or other pollutants to the surfaces and fixtures nearby should all be taken into consideration when planning your project. Please hire a professional tradesperson if you need any assistance when installing your SURROUND by Laminex panels.

## Types of Fireplaces:

There are many kinds of fireplaces which are defined by the type of fuel and the overall design of the appliance.

Fuels may include: Wood burning, gas burning, ethanol burning, pellets, alcoholic gel, liquid fuels, electric, etc.

Design styles may include: Open hearth, closed hearth (with doors), freestanding stoves, enclosed zero clearance fireplaces.

There are other bespoke designs or modified versions of traditional fireplaces.

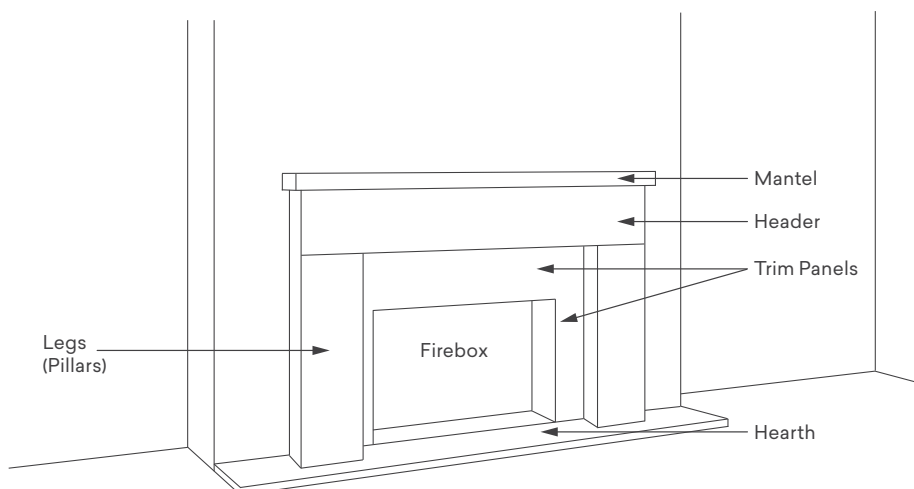
## Installation of SURROUND by Laminex on walls adjacent to a fireplace:

Please follow all instructions for SURROUND by Laminex determined by the type of wall to which the panels will be affixed.

Where a purchased fireplace unit is used, it is very important to follow the manufacturer's instructions that guide what types of materials should be considered for use around the appliance, taking note of instructions for non-flammable and combustible materials. SURROUND by Laminex cannot be used in any location or on any surface which are restricted from use of combustible materials.

Some fireplaces (e.g. open hearth – wood burning) are constructed with an open-faced firebox in brick or stone and are part of the architecture of a property where no manufacturer's guidance is provided. Where this is the case, please consult with a licenced industry specialist to ensure construction is in accordance with the Fire Code/applicable Australian Standards and National Construction Code.

## A guide to names of Fireplace Elements

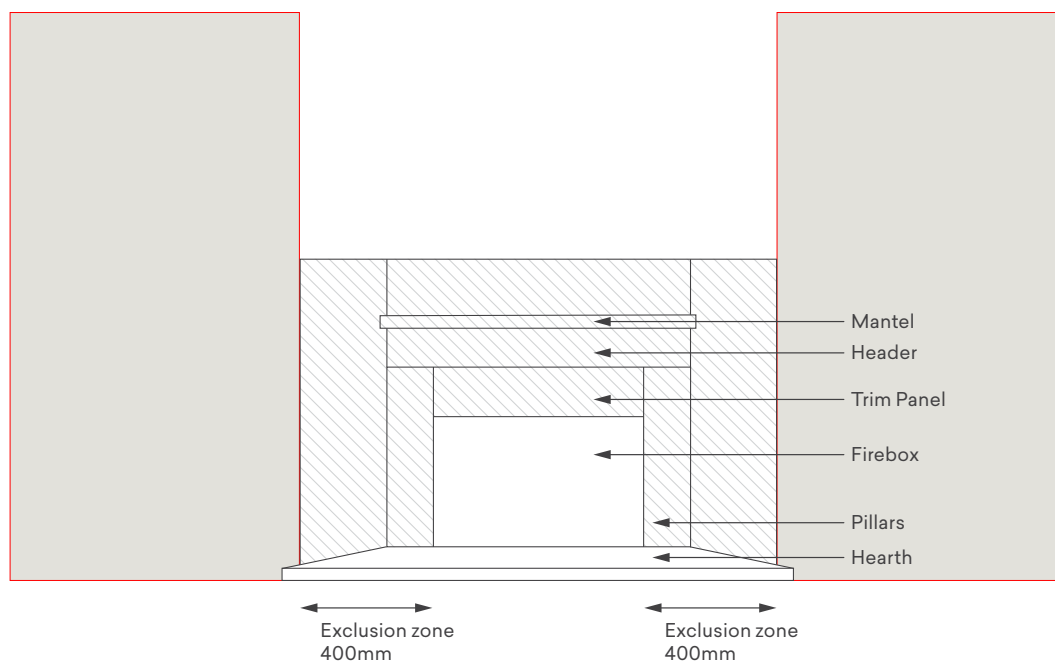


## Traditional Fireplaces (open or closed):

SURROUND by Laminex panels may be used adjacent to the surround or trim panels-legs, jambs or pillars, or above the mantlepiece where a distance of at least 400mm is maintained between the external edges of the firebox and the closest edge of the panel.

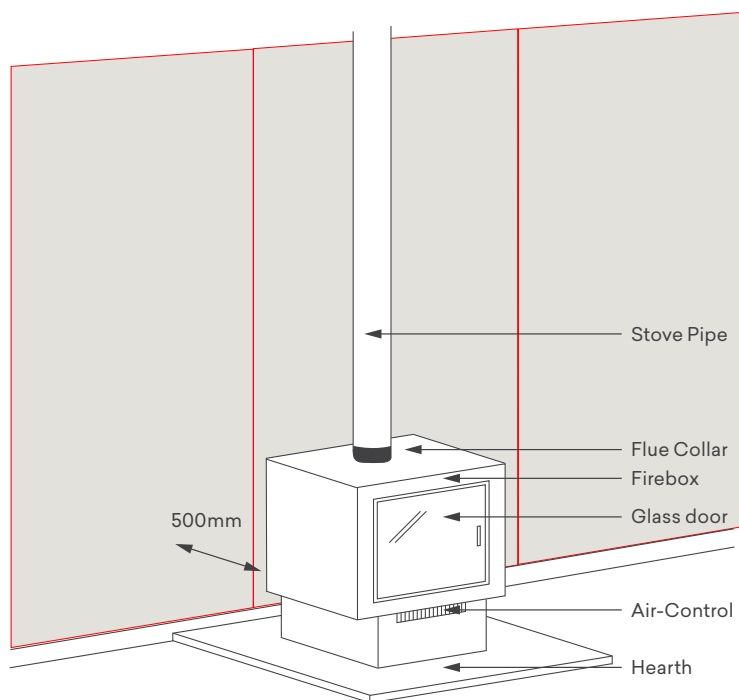
SURROUND by Laminex panels cannot be used for any of the following elements of a fireplace:

- Inside or around the firebox
- Hearth/plinth
- Legs, jambs, or pillars
- Surround or trim panels
- Header, corbel or mantlepiece



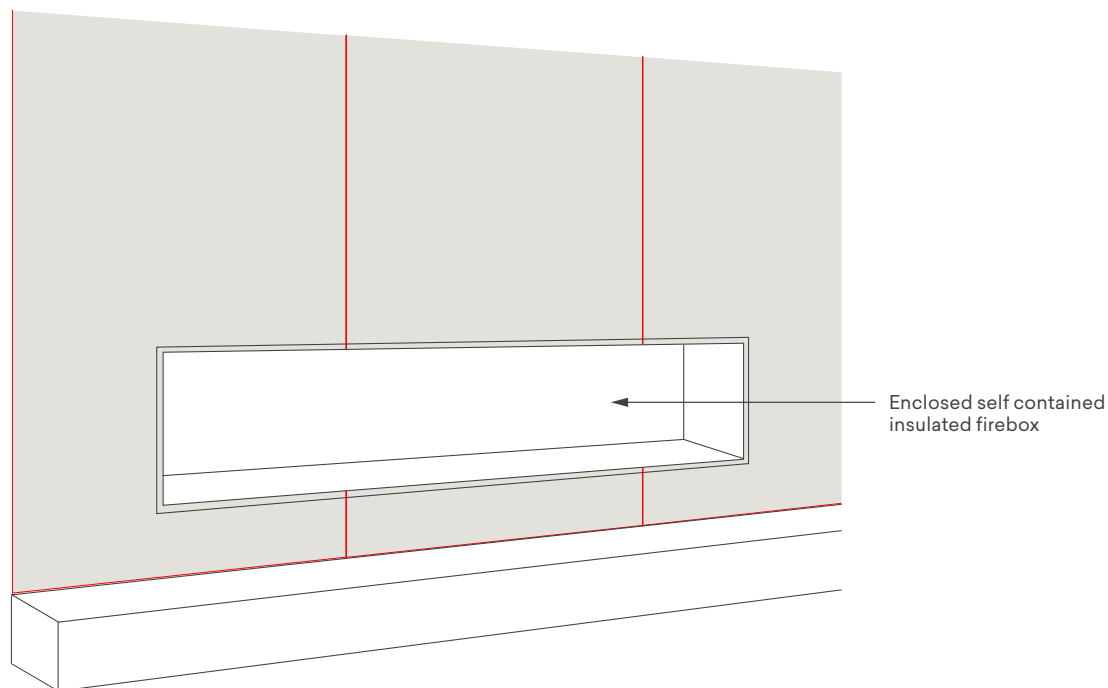
## Freestanding fireplaces:

SURROUND by Laminex panels may be used on walls adjacent to the fireplace or on a wall behind a freestanding wood burner where there is a maintained distance of at least 500mm from the nearest edge of the flue or heat conducting material.



## Zero Clearance Fireplaces:

SURROUND by Laminex panels may be used up to the sealed edge of a zero clearance fully insulated self-contained firebox when installed using the manufacturer's instructions.



## 6.10 Use and fixing of dado rails and mouldings

Dado rails or equivalent timber mouldings should be employed as a finishing trim:

1. Along the join between any two different Surround by Laminex panel decors used together
2. Where a Surround by Laminex panel finishes part way up a full height wall
3. Where the top edge of a Surround by Laminex panel may be viewed from a void or higher position in the property
4. To delineate between Surround by Laminex panels and a transition to painted or textiled finishes on the same wall

Various options for finished timber trims, moulding and dado or chair rails are available.

## 7.1 Painting

Surround by Laminex is supplied as a pre-primed panel.

Surround by Laminex come pre-primed on the decorative face.

Before painting is commenced it is important to ensure the surface of the Surround by Laminex panel is properly prepared.

Fill all nail/screw holes and imperfections with a suitable water-based wood filler and allow to dry.

Lightly sand all surfaces to be coated to obtain a smooth and even finish. Use a sanding sponge or progressively use finer grit sandpaper to achieve a smooth edge free of damage, cracks, dents or notches.

Care must be taken not to abrade the decorative routed areas as this may result in permanent damage of the surface to be painted.

Ⓜ Damage to Surround by Laminex panels as a result of surface or panel preparation activities will not be recognised under warranty.

Use a soft brush to remove all sanding/processing dust and contamination before painting commences.

Do not introduce oils, water or solvents in contact with the Surround by Laminex panels during the prepping and painting processes.

Follow all paint manufacturer's directions including checking if the pre-finished base primer is suitable for the intended painted finish.

Ⓜ Claims arising from unsuitable paint types or application, or poor paint appearance or performance, will not be recognised under warranty.



# Important Information

Note	Details
<p>Ⓜ ONLY use for internal applications</p>	<p>Claims arising from non-internal applications are not covered under warranty</p>
<p>Ⓜ ONLY use for wall applications</p>	<p>Claims arising from ceiling or other horizontal floor applications are not covered under warranty</p>
<p>Ⓜ ONLY use for interior applications</p>	<p>Claims arising from applications where the product could be contacted by water or liquids, either routinely or by accident, are not covered under warranty</p>
<p>Ⓜ DO NOT expose to excessive heat or moisture</p>	<p>Claims arising from frequent or excessive exposure to heat or moisture are not covered under warranty</p>
<p>Ⓜ DO NOT butt join panels</p>	<p>Claims arising from peaking, movement or any failure of sheets installed due to the use of butt joins, are not covered under warranty</p>
<p>Ⓜ DO NOT expose to prolonged direct or indirect UV light</p>	<p>Claims arising from prolonged exposure to UV light (natural or artificial sources) resulting in shrinkage, warping are not covered under warranty</p>
<p>Ⓜ Causes of bowing</p>	<p>Claims arising from incorrect conditioning, poor storage, exposure to humidity changes, or incorrect installation, are not covered under warranty</p>
<p>Ⓜ ONLY use recommended storage and handling methods</p>	<p>Claims arising from incorrect storage and handling are not covered under warranty</p>
<p>Ⓜ ONLY use recommended fabrication methods</p>	<p>Claims arising from incorrect fabrication methods are not covered under warranty</p>
<p>Ⓜ ONLY use recommended Care and Maintenance methods</p>	<p>Claims arising from staining or damage attributable to not following Care &amp; Maintenance instructions, are not covered under warranty</p>
<p>Ⓜ ALWAYS comply with installation methods or expansion gap allowances</p>	<p>Claims relating to peaking, movement or failure of sheets in place due to insufficient expansion gaps or failure to follow installation requirements, are not covered under warranty</p>
<p>Ⓜ Bonding directly to plaster, plasterboard, masonry or concrete</p>	<p>Claims arising from poor bonding or fixing methods, or failure of the substrate to which the panel is fixed resulting in dimensional instability, gaps, bowing, undulations, telegraphing or other failures of the decorative surface or poor bonding, are not covered under warranty</p>
<p>Ⓜ DO NOT abrade or damage the routed designs whilst sanding and preparing for painting</p>	<p>Care must be taken not to abrade the decorative routed areas as this may result in permanent damage of the surface to be painted. Damage to Surround by Laminex panels from paint preparation or application will not be covered under warranty.</p>
<p>Ⓜ ALWAYS consult painting manufacturers guidelines</p>	<p>Claims arising from unsuitable paint types or application, or poor paint appearance or performance are not covered under warranty</p>
<p>Ⓜ Always confirm wet area use is in accordance with specification AS3740 &amp; NCC Volume One, F1.7 &amp; Volume Two 3.8.1</p>	<p>Claims arising use use of Surround by Laminex in contravention of the specification AS3740 &amp; NCC Volume One, F1.7 &amp; Volume Two 3.8.1 including the 75mm splash zone will not be covered under warranty</p>

Note: Please refer to full suite of supporting documentation for product limitations (E. & O.E.).

Laminex reserves the right to update this document prior to the stated expiry date. Refer to laminex.com.au for the latest revision of this document.

Version 3 Issued: 06/2022  
Document Expiry Date: 12/2022

### **Technical and warranty Information**

All technical information including Availability Guides, SDS, Technical Data Sheets, Fabrication & Installation Guide and Warranties are located at [surroundbylaminex.com.au](http://surroundbylaminex.com.au)

Surround by Laminex products have a 12 month warranty.

The designs of the Surround By Laminex range are protected by Australian Design Registrations.

### **Visit Us**

For location of your closest showroom or more information visit [surroundbylaminex.com.au](http://surroundbylaminex.com.au)

### **Product Sample**

For a sample visit [surroundbylaminex.com.au](http://surroundbylaminex.com.au)

### **Call Us**

For any enquiries 132 136

**SURROUND**  
by Laminex™



A proud  
Australian  
manufacturer