

SURROUND by Laminex™



Fabrication & Installation Manual

Surround by Laminex is designed for interior area applications and is manufactured from moisture resistant Medium Density Fibreboard (MDF). Each panel has one face routed with a regular decorative pattern which is primed with water-based paint.

Applications

Interior wall panelling
Interior ceiling paneling
Interior curved surface paneling

Functional Benefits



Ceiling Application



Curved Application



Impact Resistant



Dimensional Stability



Low Sanding



Paintable



Wet Area Applications



Vertical Application

1.0 Introduction	
1.1 Purpose of this manual	Pg 05
2.0 General information	
2.1 Safety	06
2.1.1 Safety data sheet	
2.1.2 Personal protective equipment	
2.1.3 Tools and equipment	
2.1.4 Adhesives	
2.2 Handling	07
2.3 Storage	08
2.4 Packaging	09
2.5 Transport and handling	09
2.6 Conditioning	10
2.7 Quality control	
2.7.1 Inspection	
2.7.2 Technical data	
2.8 Care and maintenance	10
2.9 Warranty	10
3.0 Applications	
3.1 Interior	11
3.2 Exterior	11
4.0 Design guidelines	12
5.0 Fabrication	
5.1 Tools and equipment	14
5.2 Cutting	15
5.3 Openings and cut-outs	16

6.0 Wall installation	
6.1 Planning	17
6.2 Fixing	18
6.2.1 Nails	
6.2.2 Screws	
6.3 Expansion gaps and dimensional tolerance	19
6.4 Fixing to timber stud walls and/or steel framed walls	20
6.4.1 Preparing the wall	
6.4.2 Installing the panels	
6.5 Fixing to brick and block walls or masonry	22
6.5.1 Preparing the wall	
6.5.2 Installing the panels	
6.6 Fixing to plaster walls	25
6.6.1 Checking and preparing the wall frame behind the plaster	
6.6.2 Installing the panels	
6.7 Horizontal orientation of Surround by Laminex panels	27
6.7.1 Planning join locations	
6.7.2 Installation	
6.7.3 End joins	
6.8 Installation of Surround by Laminex in high humidity & damp areas	29
6.8.1 Fixing to plaster walls	
6.8.2 Fixing to timber stud walls and/or steel framed walls	
6.9 Adjacent to fireplaces & stoves	36
6.10 Use & fixing of dado rails and mouldings	40
7.0 Curving	
7.1 What is kerfing?	41
7.2 Cabinetry installation	
7.3 Wall installation	42
7.4 Curving specification table	46
8.0 Ceilings	
8.1 Preparing the ceiling	47
8.2 Installing panels to the ceiling	
8.3 Ceiling finishing	48
8.4 Keynotes	49
9.0 Finishing	
9.1 Painting	50

1.1 Purpose of this manual

This manual has been created to provide clear instructions required to successfully design, fabricate and install Surround by Laminex. Adherence to the techniques and guidelines presented in this manual will ensure the finished article is compliant with the conditions in the product warranty.

Throughout this manual the symbol (W) will appear against any specific instructions that are linked to compliance with the Surround by Laminex warranty.

This manual has been developed to allow designers, fabricators and installers who work with Surround by Laminex to achieve performance standards for both domestic and commercial applications.

It is important to note that the techniques and guidelines presented in this manual are those recommended for use with Surround by Laminex. Any variation from these guidelines may create unexpected performance problems and may void the limited warranty.

This manual provides instructions to comply with the product warranty to determine the suitability of this product for your particular purpose and needs.

While every precaution has been taken in the preparation of this document, Laminex assumes no responsibility for errors or omissions, or for damages resulting from the use of information contained in this document. In no event will Laminex be liable for any loss of profit or any other loss or damage caused or alleged to have been caused directly or indirectly as a result of any person relying upon any information contained in this document.

Content in this manual is subject to change at any time without notice. Refer to laminex.com.au for the latest revision of this document.

Panels must be installed with consideration to the Australian Construction Code – Building Code of Australia, Volume 1 and 2, and the relevant Australian Standards: **AS 3740- 2010** Waterproofing of domestic wet areas, **AS 4386:2018** Cabinetry in the built-in environment commercial and domestic.

2.1 Safety

Safety training, product knowledge and product use, are the responsibility of the fabrication facility tradesperson and employees.

Equipment selection, use and maintenance, are the responsibility of the fabrication facility tradesperson and employees.

Maintaining a clean and adequately ventilated workplace, are the responsibility of the fabrication facility and its employees.

2.1.1 Safety data sheet

Refer to laminex.com.au for the latest version of the Safety Data Sheet (SDS) for this product.

2.1.2 Personal protective equipment

Always wear appropriate PPE when handling, cutting or fabricating this product. Wear gloves, safety footwear and suitable workwear apparel (no loose clothing or jewellery).



Gloves



Boots



Workwear

Always use safety glasses or approved eye protection and/or face shields when cutting, routing, sanding or when working in close proximity to the wall.



Safety glasses

Occupational exposure to any type of dust is known to be hazardous to human health. Care must be taken to avoid the inhalation of dust. Follow good hygiene and workplace practices. Dust can be vacuumed or swept to avoid accumulation. Dust masks must be worn in accordance with your state's WorkSafe (or equivalent) guidelines. If you are intending to replace wall panels with Surround by Laminex wall panels.



Dust mask

- Ensure that the existing wall panel do not contain asbestos if these are being disturbed by your work.
- If you are removing wall sheeting ensure your safety in relation to electrical cables and water and gas plumbing.

2.1.2 Tools and equipment

Use and maintain all tools and equipment in accordance with manufacturer's instructions.

Keep all equipment safety guards and dust collection devices in place.

2.1.4 Adhesives

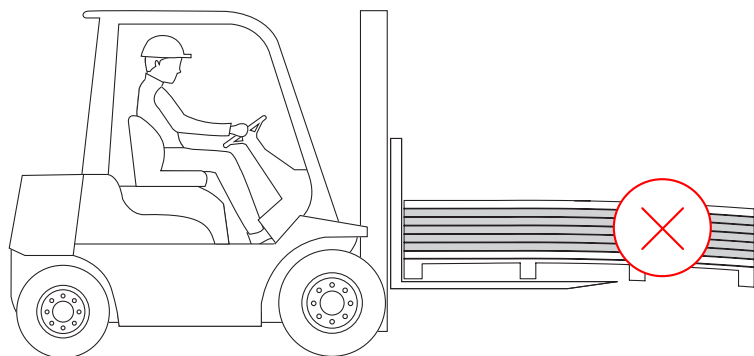
Always refer to the manufacturer's Technical Data Sheet (TDS) and Safety Data Sheet (SDS) for instructions on how to store and use solvents, adhesives and other materials in a safe manner.

2.2 Handling

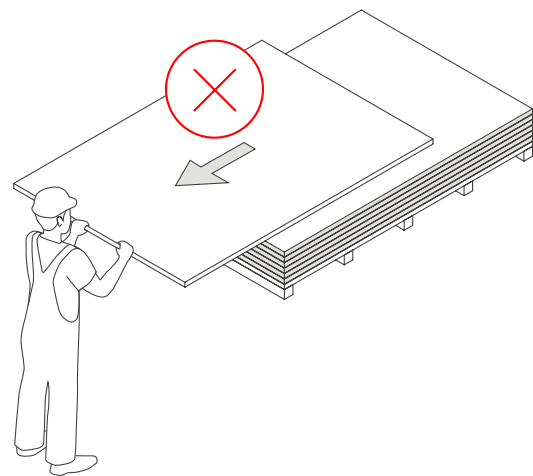
This product weighs approx. 9.5 Kgs/ m². It's important to handle the panels with care during lifting. Carry full panels vertically to minimise flexing or the risk of breakage. Additionally, ensure that panels are lifted from the non-routed face to prevent damage.

The use of mechanical aids, such as vacuum lifting devices, are recommended for handling large panels. Care should be taken to lift panels from the non-routed face.

- Ⓜ If moving or transporting panels via forklift or suction lift, move panels carefully to avoid damage and ensure the right forklift tyre length is used for the sheet size. Do not overload the forklift.



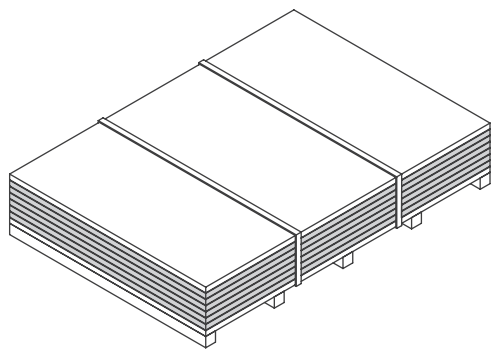
- Ⓜ DO NOT slide panels over one another to move them.



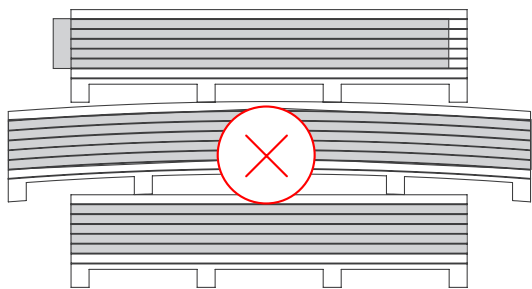
- Ⓜ Always gently lift and place the panels to avoid damage to the decorative surface.

2.3 Storage

- Ⓜ When working with loose panels of Surround by Laminex where the original packaging is removed, the panels must be stored horizontally in a flat level fully supported manner. Place a protective cover over the unused panels.
- Ⓜ Packs must be stored on a level horizontal surface and aligned with each other.
- Ⓜ Material must be stored in a dry, fully enclosed area away from exterior doors. Do not leave Surround by Laminex in the rain, wind and protect from UV light.
- Ⓜ DO NOT store Surround by Laminex within areas where newly poured concrete or wet plastering is present.
- Ⓜ When working from a pack of Surround by Laminex, use panels as required and place a protective cover over the unused panels.
- Ⓜ Do not store product on pallets with bearer spacings more than 600mm apart.



- Ⓜ Do not stack different sized packs on top of each other



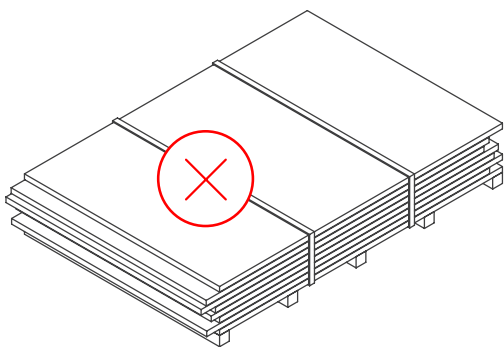
2.4 Packaging

The use of suitable packaging is essential to controlling and maintaining equilibrium moisture content (EMC). An imbalance of moisture will result in bowing or warping of the material.

- Ⓢ Cover panels of the same material (top and bottom) must be used to minimise the risk of bowing.

2.5 Transport and movement

It is important to take precautions when transporting Surround by Laminex. Ensure product surfaces and edges are protected when transporting, storing, fabricating and installing panels.



All straps and restraint devices must remain grit and burr free and suitably tensioned to prevent movement of the product during transport. Covered loads are recommended to prevent damage during transport to site.

- Ⓢ Claims for damage or surface abrasion due to unsuitable transport methods will not be recognised.
- Ⓢ During transportation, use flat, stable supports of at least the same dimensions as the material.

2.6 Conditioning

Pre-conditioning of Surround by Laminex panels is required in order to achieve EMC before fixing, to reduce the likelihood of bowing or shrinkage after installation.

Therefore, Surround by Laminex panels must be stored for a minimum period of 48 hours at the same environmental conditions as the subsequent place of use, preferably in the room where the panels are to be installed.

Failure to condition material may result in product expansion and contraction in response to environmental conditions, particularly with changes in temperature and humidity. This may result in, but is not limited to, bowing or warping of panels, joint failure or build-up of internal stresses that release in the form of cracks.

Surround by Laminex must be installed in locations where environmental conditions can be controlled and maintained in a manner that avoids large fluctuations in temperature and humidity.

- Ⓢ Failure to adhere to conditioning guidelines will void your warranty.
- Ⓢ Failure to maintain and control temperature and humidity of installation environments will void your warranty.

Timber structures to which Surround by Laminex panels are fixed, will also respond to changes in humidity and temperature of the surrounding environment. Hence, temperature and humidity are effectively controlled to minimise fluctuations in moisture content. Inadequate control of these parameters may result in expansion or contraction of the framing.

2.7 Quality control

2.7.1 Inspection

- Ⓜ ALL panels must be visually inspected prior to the commencement of ANY cutting or fabrication.

Before commencing any cutting or fabrication, the following must be checked:

- Correct items (thickness, routed design, etc)
- Consistent routed design (ensure panels for the same installation are inspected for routed design compatibility)
- Inspect for defects, such as: chips, scratches, evidence of transport damage, general quality of the surface finish and quality of the edge.

If products are believed to be defective, record all order details and contact your Laminex representative as soon as possible.

- Ⓜ Once cut or fabricated, no claims for visual defects will be recognised.

2.7.2 Technical data

Refer to laminex.com.au for the latest version of the Technical Data Sheet (TDS) for this product.

2.8 Care and maintenance

Refer to your paint supplier for care and maintenance of the final finished painted surface.

2.9 Warranty

Surround by Laminex is covered by a 12 month limited warranty.

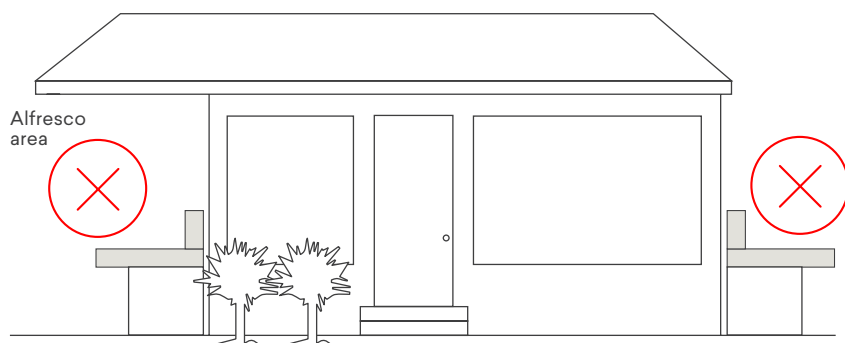
Refer to laminex.com.au for the latest version of the warranty for this product.

3.1 Interior

- Ⓜ Surround by Laminex is suitable for interior wall panel applications and vertical joinery applications
 - Ⓜ If Surround wall linings are used in a ceiling application refer to section 8 for installation guidance.
 - Ⓜ If the Surround wall linings are used in a bathroom, kitchen or laundry, local waterproofing requirements must be met according to the guidance in section 6.8.
 - Ⓜ If the Surround wall panels are used around a fireplace or any fuel burning or heat emitting appliances, refer to section 6.9 for installation guidance.
- Surround by Laminex must NOT be adhered to tiles, cork,
- Ⓜ natural stone, textiles, wallpaper, timber panelling or masonite.
- If Surround wall panels are used in a curved application,
- Ⓜ refer to section 7.0.

3.2 Exterior

- Ⓜ Surround by Laminex is NOT suitable for use in any exterior applications.



When you are in the planning and design stage of your project there are some important points to consider ensuring your installation meets the compliance requirements for the Surround by Laminex warranty.

'The Design Guidelines for Surround by Laminex' is a separate document found on the Laminex website www.laminex.com.au

Key considerations for your Surround by Laminex project include both aesthetic detailing and the planning of the location or room in which the panels are to be installed.

Surround by Laminex panels are NOT suitable for use in any external applications.

For wet areas follow the installation instructions (see section 6.8). The panels should not be applied to sliding doors or internal honeycomb construction doors. DO NOT use for horizontal (eg. benchtops, shelving surfaces) and flooring applications. Non-compliant use of panels will not be considered under warranty.

You should ensure that project specification documents include both fabrication and installation documents and must follow all technical requirements of the Surround by Laminex fabrication manual.

Wall or ceiling suitability is important for the successful installation of Surround by Laminex panels. Minor modifications to studs, joists and/or frames may be required.

Your project design checklist should include consideration of the following:

- Position of existing or planned windows, doors and openings, GPO's, light and fan controls, air conditioner vents and other cut-outs through the panel for functional appliances.
- Will full height panels be used or are partial height panels with paint or other finishes for the balance of the wall considered? Partial wall height panels may require additional reinforcement and/or wall modifications to be used for support of the top and bottom of the panel.
- Expansion joints must be maintained between Surround by Laminex panels and all architectural elements such as floors, ceilings, architraves, skirtings, fixtures and fittings and between panels.
- When selecting the design direction of the Surround by Laminex panel, consider the direction carefully. Always utilise the tongue and groove for joining panels together. Avoid butt joining of panels as it is not recommended and is not covered by warranty.
- Minimum distances from the edge of Surround by Laminex panels must be maintained for items to be cut in. Any access cut-outs for GPO (electrical outlets), air conditioning vents, light switches, or similar, must not be located less than 150mm from the edge of the Surround by Laminex panel.
- Consideration of the specific design of the Surround by Laminex panels selected for use and the surface of the intended walls. Is the scale and directionality of the design a good fit for both the uninterrupted areas of the project as well as the areas that might involve multiple cut outs around fixtures and fittings or change of direction through internal and external corners?
- If more than one design of Surround by Laminex wall panelling is considered for the project, the appearance of the panels in both the height and the width of the wall is important. Where different designs are used together, it is recommended that dado rail should be applied along the interface joint between the two design.
- Mouldings and dado rails: If the use of mouldings and dado rails is anticipated, consider the location on the wall. Will they be interrupted by architraves on windows/doors and what is the optimum height to achieve an unbroken line?
- Consult with paint or coating manufacturers for suitability of intended finishes to be applied to Surround by Laminex panels. It is recommended to test the intended finish on the pre-primed surface before project commencement.

5.1 Tools and equipment

This is not an exhaustive list, but it is recommended that the following are checked and available:

- Tape measure
- Spirit level
- String line or equivalent
- Hand saw or power saw
- Hammer and/or nail gun or screw gun
- Pencil or chalk for marking out
- Caulking gun
- Sanding sponge
- Installation on site (walls & ceilings)

Consumables

- Nails and screws are to be long enough to penetrate studs and noggins by at least 25-30mm beyond the depth of the Surround by Laminex panel. Check for suitability if using nail guns or screw guns.
- Flexible construction adhesive to be used to glue the panels to the plasterboard/fibre cement sheet wall, frames or studs and noggins. Ensure that the adhesive permits a 25% movement capability. We recommend using Sikaflex 111 - flexible adhesive (SMP - Silane Modified Polymer).
- PVA adhesive is recommended for gluing corners together and supporting moulding such as dado rails in place before fixing.
- Sealants and/or gap fillers to be used when fixing other trims such as timber mouldings skirtings and cornices. A 25% movement capability and paintable finish is required.
- Material off-cuts or other spacers
- Timber based filler to fill nail/screw holes.

Workplace

Keep work area clean, uncluttered and well lit.

Avoid panel contact with abrasive surfaces, grit or other processing debris. Contamination trapped between panels will cause surface indentations, marring or scratching.

Avoid contact with solvents, moisture and oil which can contaminate the panels and affect the performance of adhesives and coatings.

When cutting panels ensure that the full panel is well supported before any cutting or processing.

5.2 Cutting

Surround by Laminex panels can be readily cut with a power saw or hand saw. New or sharpened blades must always be used as blunt or dull blades will decrease the accuracy and finish of cuts. Select a blade suitable to cut MDF, it is recommended using tungsten carbide TCT or diamond tip blade.

We recommend the use of power saws that have an additional scribing blade to prevent chipping of Surround by Laminex.

Direction of the cutting and orientation of the board (profiled face up or profiled face down) is dependent on the power tool/blade selected for use. It is recommended where scribing blades are used to cut the panel with the profiled face up.

If using a router, do not allow the cutter to take too deep a cut at a time and only trench a maximum of one third of the thickness, per pass.

Please ensure all parties using cutting equipment are suitably trade qualified or experienced in the use of these tools. All safety guards supplied with the equipment must be maintained and tools must be inspected before use including electrical cords and plugs in good working order. Please follow the safety procedures supplied by the manufacturer of the tools employed.

Incorrect use of cutting tools and failure to use appropriate caution can result in substantial injury. Only proceed once safe working conditions have been established.

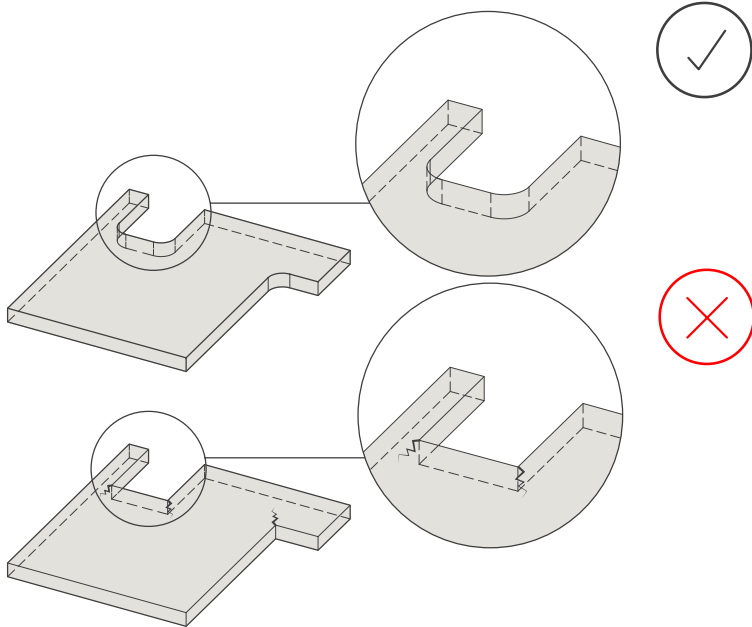
5.3 Openings and cut-outs

Any internal corner or aperture must be cut with a minimum internal radius of 10mm.

All edges must be smooth and free of damage, cracks, dents or notches.

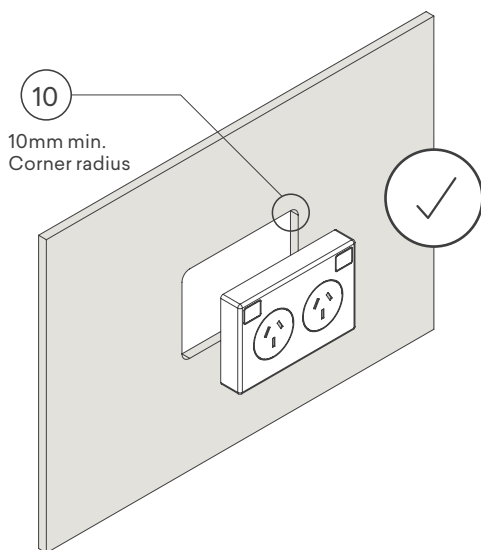
Seal all openings and cutouts of the Surround by Laminex Panels

- Ⓜ Cracks or any other failure attributable to non-compliant openings or cut-outs will not be recognised under warranty.



Cut-outs can be made with a router or by pre-drilling a hole with an appropriate diameter drill bit to meet internal radius requirements and then cut between drill holes.

Any access cut-outs for GPO (electrical outlets), air conditioning vents, light switches, or similar, must not be located less than 150mm from the edge of the Surround by Laminex panel.



6.1 Planning

Before starting your project using Surround by Laminex it is important to identify some key attributes of the area in which the material will be placed and to plan the installation of the panels.

Wall or ceiling type

What kind of wall are the panels to be affixed to? Is it a direct fix to studs, fitted onto masonry/brick, steel or timber frames, or are the panels to be used over existing plaster walls? These considerations will inform which fixing method is appropriate and what preparation may be required to prepare the space, and the tools required.

Openings and cut-outs

How many windows or doors openings appear within the project? Take note of any requirements to cut in GPO outlets, air-conditioning vents or other similar attributes that will require panels to be pre-cut before fixing to the wall.

Internal and external corners

Planning for the joining of panels and the overall layout will include noting where panels may be applied around an internal or external corner.

Full height panels or part height panels

Will full height panels be used or are part height panels with painted or other finishes for the balance of the wall, to be considered?

Mouldings and dado rails

If the use of mouldings and dado rails is anticipated, how high up the wall they are to appear, will they be interrupted by architraves on windows or doors and what is the optimum height to achieve an unbroken line where practical, are all recommended considerations in the planning of the project.

Mixing Surround by Laminex décor on a wall or ceiling

If more than one design of Surround by Laminex wall panelling is considered for the project, the appearance of the panels in both the height and the width of the space is important. The use of different décor together is recommended with the addition of a dado rail applied along the interface join between the two patterns.

Measuring your space

Measure twice and cut once for the success of any project involving wood-based materials. It is vital that measurements are accurate for the correct ordering of panels and accessories. Pre-purchase estimating of Surround by Laminex panels must allow for expansion gaps of 10mm adjacent to any fixtures.

Prepare your panels

Surround by Laminex is made from Medium Density Fibreboard (MDF). MDF responds to the humidity and temperature of the surrounding environment, affecting the moisture content of the product and resulting in panel dimensional change.

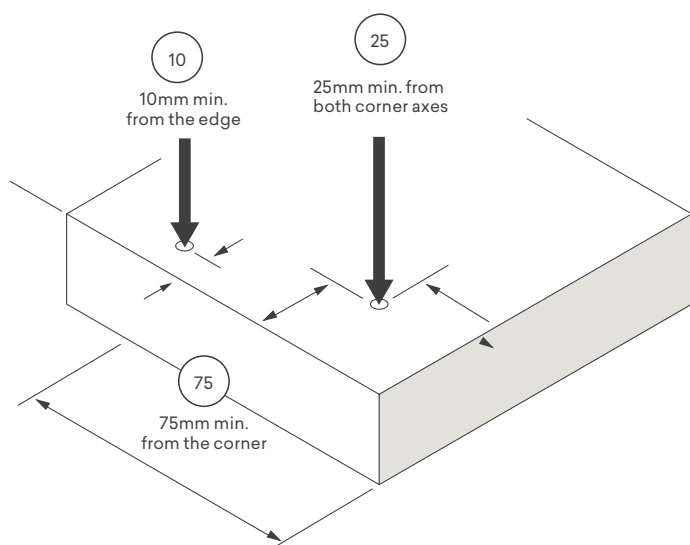
Surround by Laminex panels need to acclimatise for a minimum of 48 hours onsite before installation. This must be integrated into the ordering, delivery and project planning.

6.2 Fixing

Fixings must be carefully positioned to prevent splintering and breakout.

No face fixings are allowed less than 25mm to a corner or less than 10mm to an edge.

No edge fixings are allowed less than 75mm to a corner.



When applying fixings with power tools (nail gun, screw gun) only use enough pressure to drive the head of the nail or screw marginally below the surface of the panel. Splitting of the panel can occur if the pressure is too high or if the fixing is driven in too far, tooling marks will show on the finished surface.

6.2.1 Nails

Finishing nails provide better holding power than smooth nails. Driving nails in at an angle further increases the holding power. Drill a pilot hole to avoid splitting.

6.2.2 Screws

Parallel threaded screws are recommended for fixing Surround by Laminex panels.

To avoid splitting the panel when screwing into the panel edge the diameter of the screw selected for use must not exceed 20% of the panel thickness.

Pilot holes are recommended for use to avoid splitting. They must be drilled at least 2-3mm longer than the screw length to be used and be approximately 80% of the screw core diameter. Do not over tighten screws as further turning after screw is tight will reduce holding power and increase the risk of fracture or splitting of the panel.

When a long line of screws is used, it is recommended to stagger the screws to prevent any split in the substrate being affixed to.

6.3 Expansion gaps and dimensional tolerance

Wall to floor interface

A minimum expansion gap of 10mm MUST be left between the top surface of the primary floor and the bottom edge of the Surround by Laminex panel. Fixings of moulding / wall skirtings must maintain the unimpeded 10mm gap.

Wall to ceiling interface

A minimum expansion gap of 10mm MUST be left between the top edge of the Surround by Laminex panel and the primary ceiling. Fixings of a cornice or moulding must maintain the unimpeded 10mm gap.

Panel to panel interface

Surround by Laminex panels are supplied with a tongue and groove joining system.

Do not install adjacent panels without the supplied tongue.

A minimum 1.0mm to 1.5mm expansion gap MUST be allowed between each adjacent Surround by Laminex panel.

DO NOT “hard knock” adjacent panels into position.

Panel to fixture interface

A fixture is defined as any permanent structure affixed to the wall or ceiling, including architraves.

A minimum expansion gap of 10mm MUST be left between the edge of the Surround by Laminex panel and the fixture.

Full run wall expansion allowance

An allowance of 1mm expansion gap for every meter of horizontal wall length covered, MUST be allowed at the start and finish of each wall.

- Ⓢ Any expansion gap allowance non-compliance will not be recognised under warranty.

6.4 Fixing to timber stud walls and/or steel framed walls

6.4.1 Preparing the wall

Studs must be spaced at no more than 600mm centres.

For commercial high traffic areas, studs must be spaced at no more than 450mm centres.

Where panels will need to be joined between studs place a noggin at 700mm to support the join.

If Surround by Laminex panels are to be used for partial wall height installations, place a noggin just below the top edge of the panel for support.

Check that the frame is square and plumb with a spirit level. Any amendment to a frame required to rectify irregularities, must be conducted by a qualified trades person.

Please refer to section 6.3 and comply with all expansion gap requirements.

For any application where 9mm Surround by Laminex panels are applied to the internal side of an externally facing wall, the back surface of the Surround by Laminex panel must be primed. This is to minimise moisture transfer from external environments.

6.4.2 Installing the panels

Start from one corner of the installation and work across.

Apply a 5mm minimum bead of construction adhesive in a zig zag pattern on each batten prior installing the panel.

For all preparation, cleanup and curing times please refer to the adhesive's manufacturing guidelines.

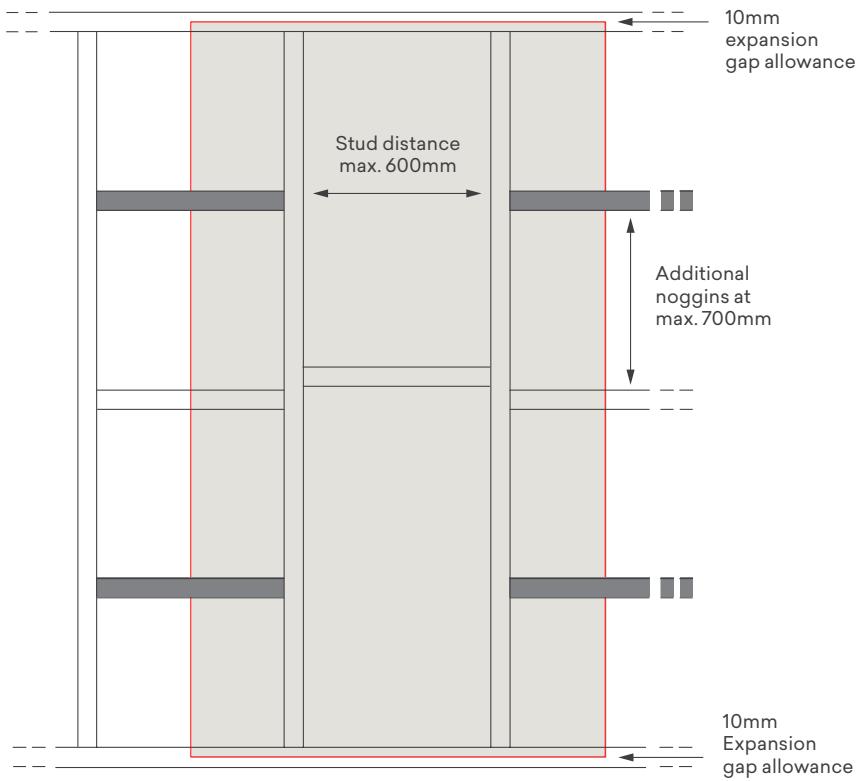
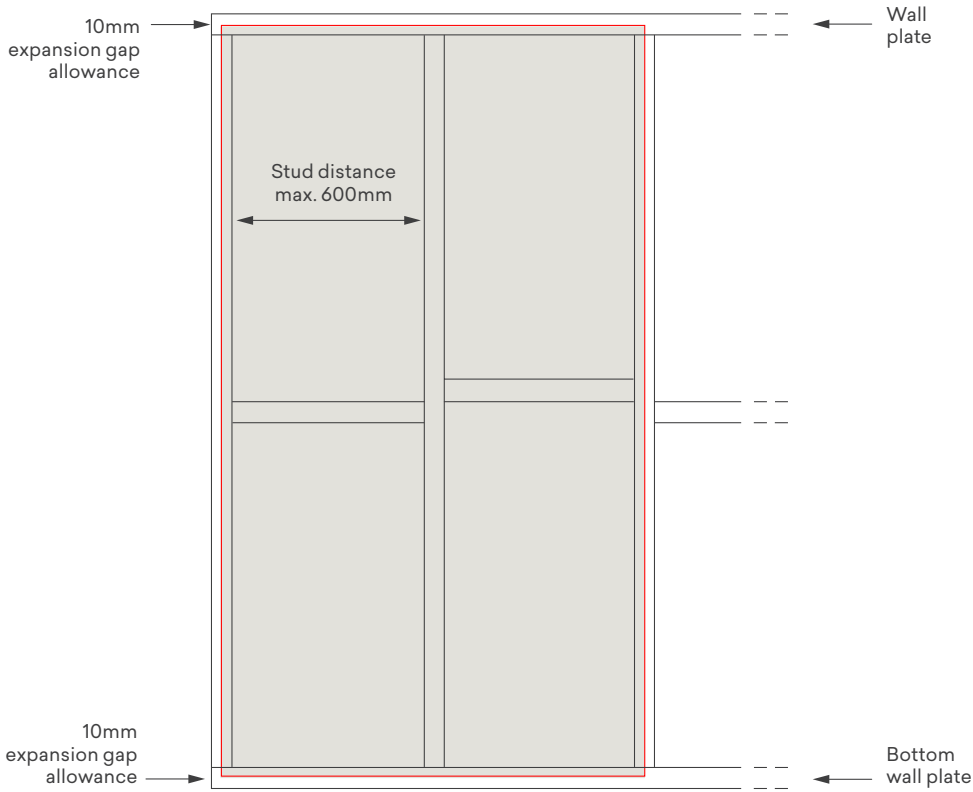
Ensure there is a 10mm expansion gap at the wall to floor interface. Material off-cuts or other spacers can be used as a removable prop to lift the Surround by Laminex panel off the floor.

Ensure there is a 10mm expansion gap at the wall to ceiling interface.

- Use a spirit level to ensure the Surround by Laminex panel is accurately placed onto the frame.
- Using nails or screws, fix the panels to the battens/furring channels. Space the nails/screws approx. 200mm to 300mm apart.
- Fix nails/screws 50mm from side and 10mm from top and bottom of the Surround by Laminex panel.
- It is important that a fixing pattern be followed. The fixing must work from the centre out in every direction. If this is not possible on larger panels, fix along one side first and then work across the panel on all patterns evenly.
- Remove the spacer from the bottom of the Surround by Laminex panel.
- Fix the other panels using the same method outlined above, working along the wall from the first panel.
- Make sure you leave a 1.0mm to 1.5mm gap at each join to allow for expansion of the panels.
- When you get close to the corner or a doorway, measure the gap from the fixed panel to the corner and cut the next panel so that it fits the remaining space. Fix the panel using the same method as described above.
- Do not hard knock panels together.

Timber or steel frames – Full wall

6.0 Installation



Surround by Laminex panel

NOTE: Extra noggins not required when full panels are joined on studs

Additional Noggin

NOTE: Extra noggins required when full joins are NOT on studs

6.5 Fixing to brick and block walls or masonry

6.5.1 Preparing the wall

Battens or furring channels (a hat shaped corrosion resistant framing batten used to furr/flatten and smooth out masonry wall assemblies) must be employed. Fasten battens or channels to the brick wall surface using concrete nails or power-driven fasteners per instructions supplied with the fixings.

The battens/furring channels must be fitted horizontally at approximately 450mm apart to promote airflow behind the Surround by Laminex panels.

Ⓢ Direct fixing to brick, blockwork or masonry is not permitted and will not be recognised under warranty.

If Surround by Laminex panels are to be used for partial wall height installations, place a noggin just below the top edge of the panel for support.

Check that battens/furring channels are square and plumb and amend any irregularities.

Please refer to section 6.3 and comply with all expansion gap requirements.

For any application where 9mm Surround by Laminex panels are applied to the internal side of an externally facing wall, the back surface of the Surround by Laminex panel must be primed.

6.5.2 Installing the panels

Start from one corner of the installation and work across.

Apply a 5mm minimum bead of construction adhesive in a zig zag pattern on each batten prior installing the panel.

For all preparation, cleanup and curing times please refer to the Adhesive's manufacturing guidelines.

Ensure there is a 10mm expansion gap at the wall to floor interface. Material off-cuts or other spacers can be used as a removable prop to lift the Surround by Laminex panel off the floor.

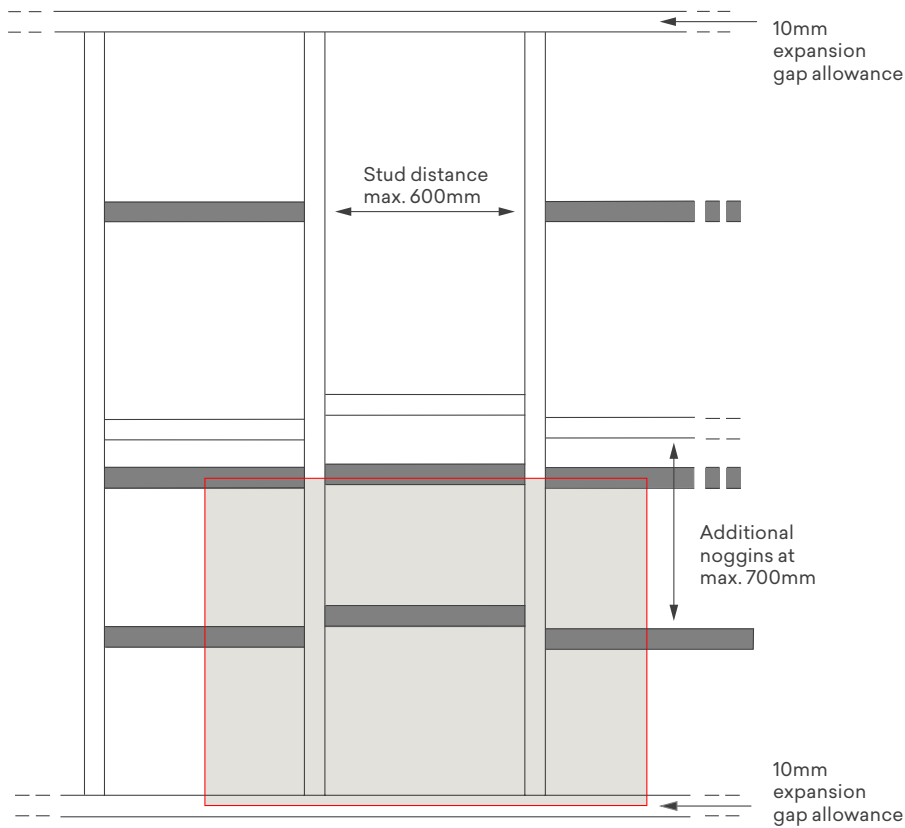
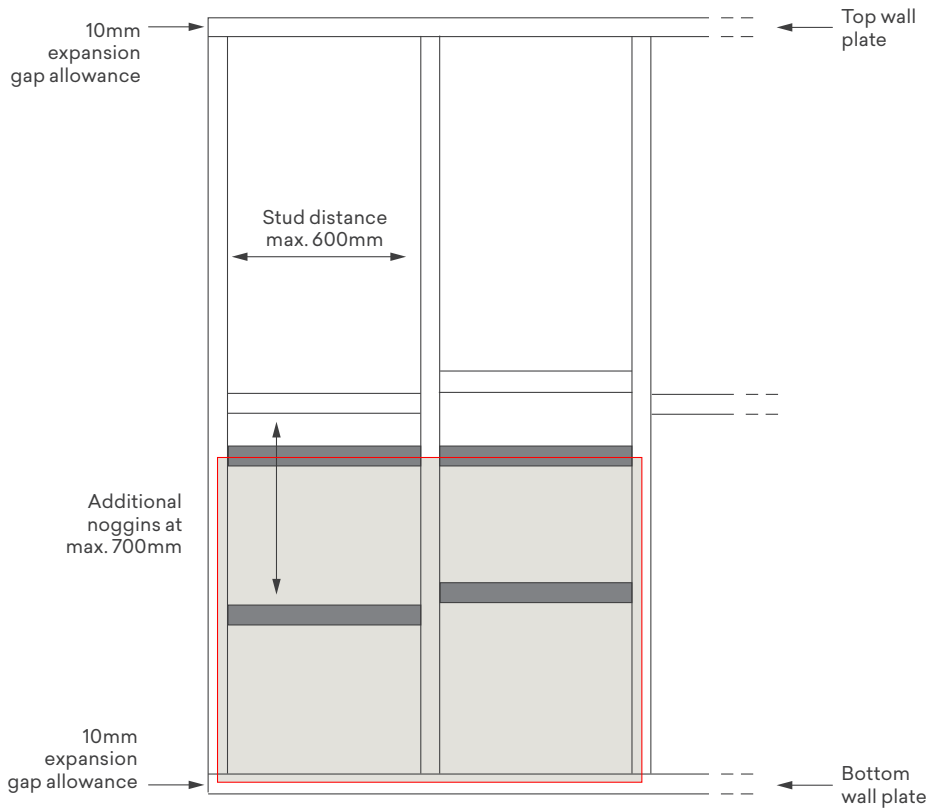
Ensure there is a 10mm expansion gap at the wall to ceiling interface.

- Use a spirit level to ensure the Surround by Laminex panel is accurately placed onto the frame.
- Using nails or screws, fix the panels to the battens/furring channels. Space the nails/screws approx. 500mm apart.
- Fix nails/screws 50mm from side and 10mm from top and bottom of the Surround by Laminex panel.
- It is important that a fixing pattern be followed. The fixing must work from the centre out in every direction. If this is not possible on larger panels, fix along one side first and then work across the panel on all patterns evenly.
- Remove the spacer from the bottom of the Surround by Laminex panel.
- Fix the other panels using the same method outlined above, working along the wall from the first panel.
- Make sure you leave a 1.0mm to 1.5mm gap at each join to allow for expansion of the panels.
- When you get close to the corner or a doorway, measure the gap from the fixed panel to the corner and cut the next panel so that it fits the remaining space. Fix the panel using the same method as described above.
- Do not hard knock panels together.



Timber or steel frames – Partial wall

6.0 Installation



Surround by Laminex panel

NOTE: Extra noggins not required when full panels are joined on studs

Additional Noggin

NOTE: Extra noggins required when full joins are NOT on studs

6.6 Fixing to plaster walls

6.6.1 Checking & preparing the wall frame behind the plaster

When installing Surround by Laminex on an existing wall, it is vital that the studs are located. The studs are to be used as fixing points during installation.

Studs must be spaced at no more than 600mm centres. Ensure the studs are checked using a stud finder to locate and ensure suitability of the underlying wall frame.

6.6.2 Installing the panels

Start from one corner of the installation and work across.

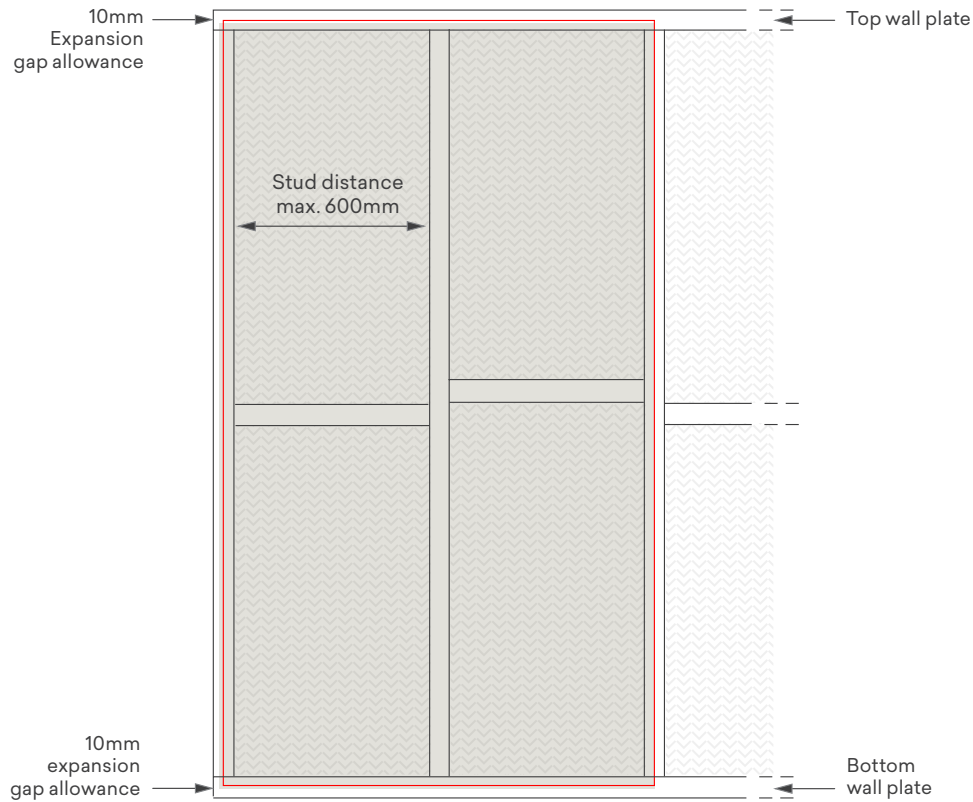
Apply construction adhesive starting with a 5mm bead around the edge of the panel (back face). Then apply an additional zigzag pattern of 5mm bead of adhesive, ensuring that the bead is within 15-20mm of the panel edge.

Ensure there is a 10mm expansion gap at the wall to floor interface. Material off-cuts or other spacers can be used as a removable prop to lift the Surround by Laminex panel off the floor.

Ensure there is a 10mm expansion gap at the wall to ceiling interface.

- Use a spirit level to ensure the Surround by Laminex panel is accurately placed onto the frame.
- Using nails or screws, fix the panels to the battens/furring channels. Space the nails/screws approx. 200mm to 300mm apart.
- Fix nails/screws 50mm from side and 10mm from top and bottom of the Surround by Laminex panel.
- It is important that a fixing pattern be followed. The fixing must work from the centre out in every direction. If this is not possible on larger panels, fix along one side first and then work across the panel on all patterns evenly.
- Remove the spacer from the bottom of the Surround by Laminex panel.
- Fix the other panels using the same method outlined above, working along the wall from the first panel.
- Make sure you leave a 1.0mm to 1.5mm gap at each join to allow for expansion of the panels.
- When you get close to the corner or a doorway, measure the gap from the fixed panel to the corner and cut the next panel so that it fits the remaining space. Fix the panel using the same method as described above.
- Do not hard knock panels together.

Existing wall – Full wall



Surround by Laminex panel

NOTE: Extra noggins not required when full panels are joined on studs

Additional Noggin

NOTE: Extra noggins required when full joins are NOT on studs

6.7 Horizontal orientation of Surround by Laminex panels

Installing panels horizontally utilizes the same methods of installation for the wall substrates as described in the previous chapters with additional focus given to the following:

6.7.1 Planning join locations

The location of joins in horizontal orientation for Surround by Laminex panels is more critical as these potentially need to be larger, depending upon the total length of the wall. Joining two 3600mm panel together on a 7200mm wall, then a 10mm minimum gap is required between the panels and at the end of each panel- or at junctions to window and door frames.

The vertical ends of horizontally installed panels do not have the integrated joining tongue and groove. An alternative form of join must be used such as an expressed or negative details, or overlaid trims like dado rails can be used. The join method must allow for panel movement.

The location of the join must therefore be located centrally on the wall or place the main panel centrally to the wall, with cut panels either side in equal proportions to ensure a balanced look is achieved.

The ends of the panels must be supported by additional wall studs or battens if a frame wall, or adhesive if directly sticking to sheeted or plaster walls.

Horizontal joins are aligned by the tongue and groove. This join must be supported by noggings to protect the join from impact movement.

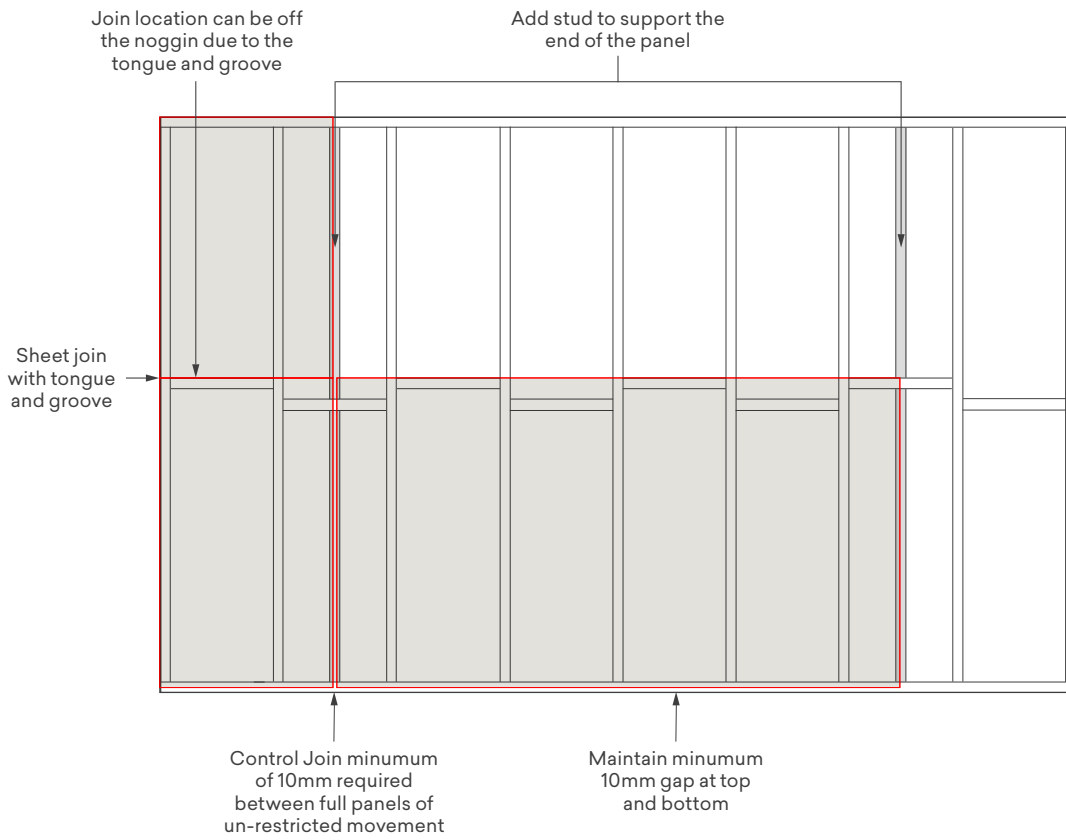
6.7.2 Installation

Install the base level panels first.

Use a spirit level to ensure the panels are level. Using spacing blocks on the floor to allow for the panel to be levelled while providing the 10mm expansion gap at the junction with the floor.

- Once level, and the joins correctly located, using nails or screws, fix the panels to the battens/furring channels. Space the nails/screws approx. 200mm to 300mm apart.
- Fix nails/screws 50mm from side and 10mm from top and bottom of the Surround by Laminex panel.
- It is important that a fixing pattern be followed. The fixing must work from the centre out in every direction. If this is not possible on larger panels, fix along one side first and then work across the panel on all patterns evenly.
- Remove the spacer from the bottom of the Surround by Laminex panel.
- The next level or panels can now be placed into position using the tongue and groove to align the joins. Do not force these joins tightly together - they are designed to allow the panels to move.
- Fix the other panels using the same method outlined above.
- The vertical expansion gaps must be maintained, ensuring these are not stepped and evenly spaced preserving the expansion gap.
- When you get close to the corner or a doorway, measure the gap from the fixed panel to the corner and cut the next panel so that it fits the remaining space. Fix the panel using the same method as described above.

Horizontal orientation



Ⓜ Use of butt joints between panels ends will not be recognised under warranty.

6.8 Installation of Surround by Laminex in high humidity & damp areas

DISCLAIMER: Surround by Laminex wall panels cannot be installed in direct 'splash zones'. This includes showers or in any application where a vessel (bath, tapware or basin) is within 75mm of the wall. However, Surround by Laminex wall panels can be installed on all other walls within bathrooms and laundries, so long as the installation complies and is in accordance with **AS 3740** and **NCC Volume One**, F1.7 and Volume Two, 3.8.1).

6.8.1 Fixing to plaster walls

When installing Surround by Laminex on an existing wall, it is vital that the studs are located. The studs are to be used as fixing points during installation.

As this is an existing wall, studs must be placed at no greater than 600mm centres.

Ensure the studs are located using a stud finder and ensure suitability of the underlying wall frame. Stud and noggin locations must accommodate proposed location of plumbing and fixings. Heavy items must not be directly attached to the Surround wall surface without support from the wall studs.

In some cases, the removal of tiles will have resulted in damage or partial removal of the existing plasterboard. This will require a disruption of the existing plaster surface. Please consult with qualified trades as required for this process. Caution must be taken not to impact or disrupt electrical wiring, plumbing or other services within the wall. Only qualified tradespeople must be involved in any modifications that are required to internal wall cavities.

And in some cases, the existing wall may have been removed all together. Please refer to section 6.8.3 for further instructions on the installation of Surround by Laminex directly on to a stud wall.

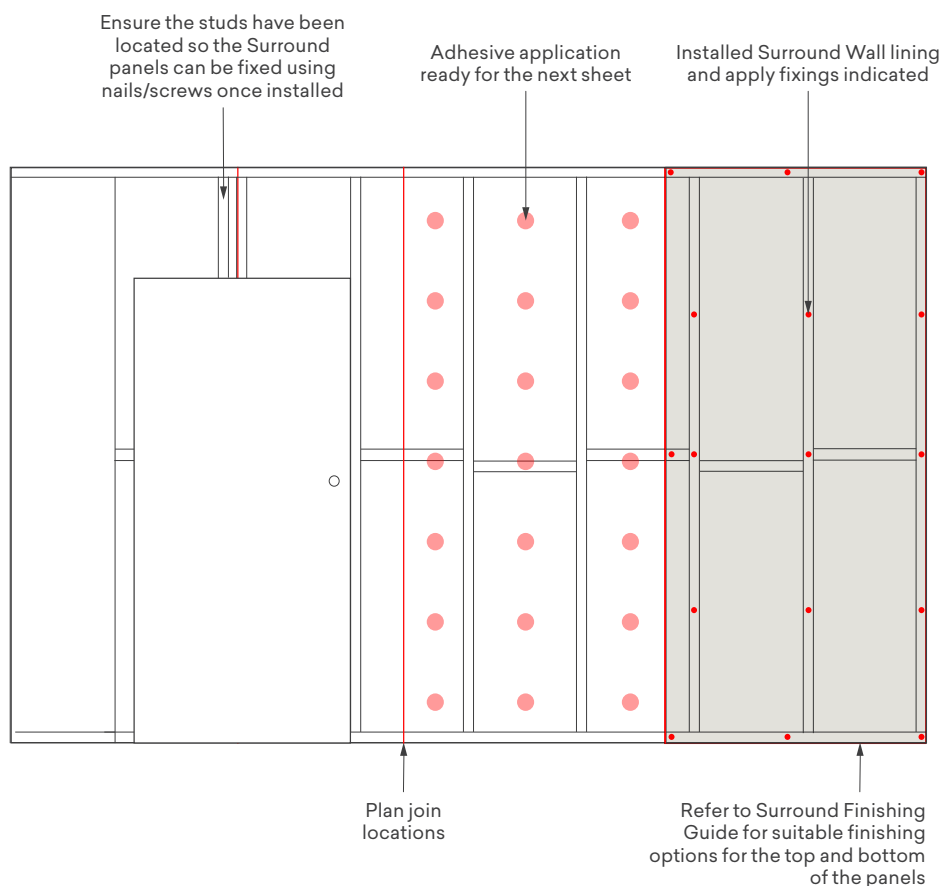
If planning on using a floor tile as a skirting in the bathroom and if the provisions of **AS 3740** – Waterproofing of Domestic Wet Areas are met, then a waterproofing membrane may be in place in the immediate vicinity of the walk-in shower and splash zone.

It is extremely important that all substrate edges – including cutouts for pipes & tapware – are sealed appropriately and effectively. This can be done so by applying at least one coat of primer and two coats of acrylic top coat paint prior to being exposed to any area where moisture may be present.

Once the spacing and joint location has been planned, which may necessitate the first sheet being cut, start from one corner of the installation and work across.

Penetration through Surround by Laminex panels to accommodate taps or spouts of any description, must be sealed to prevent moisture ingress to the panel and prevent leakage behind the panels.

Ⓜ Claims resulting from failure to adequately seal all exposed edges will not be recognised.



Apply construction adhesive starting with a 5mm bead around the edge of the panel (back face). Then apply an additional zigzag pattern of 5mm bead of adhesive, ensuring that the bead is within 15-20mm of the panel edge.

Ensure there is a 10mm expansion gap at the wall to floor interface. Material off-cuts or other spacers can be used as a removable prop to lift the Surround by Laminex panel off the floor.

- Use a spirit level to ensure the Surround by Laminex panel is accurately placed onto the wall.
- Using nails or screws, fix the panels to the battens/furring channels. Space the nails/screws approx. 200mm to 300mm apart.
- Fixings must not be closer than 100mm from top and bottom or 50mm from the edge of the panels.
- It is important that a fixing pattern be followed. The fixing must work from the centre out in every direction. If this is not possible on larger panels, fix along one side first and then work across the panel on all patterns evenly.
- Remove the spacer from the bottom of the Surround by Laminex panel.
- Fix the other panels using the same method outlined above, working along the wall from the first panel.
- Make sure you leave a 1.0mm to 1.5mm gap at each join to allow for expansion of the panels.
- When you get close to the corner or a doorway, measure the gap from the fixed panel to the corner and cut the next panel so that it fits the remaining space. Fix the panel using the same method as described above.
- Do not hard knock panels together.

Once installed It is extremely important to ensure all gaps around the panels are sealed so moisture is not exposed to the rear side of the panels.

6.8.2 Fixing to timber stud walls and/or steel framed walls

Studs must be spaced at no more than 600mm centres.

For commercial high traffic areas, studs must be spaced at no more than 450mm centres.

Where panels will need to be joined between studs place a noggin at 700mm to support the join.

If Surround by Laminex panels are to be used for partial wall height installations, place a noggin just below the top edge of the panel for support.

Check that the frame is straight and true with a spirit level. Any amendment to a frame required to rectify irregularities, must be conducted by a qualified trades person.

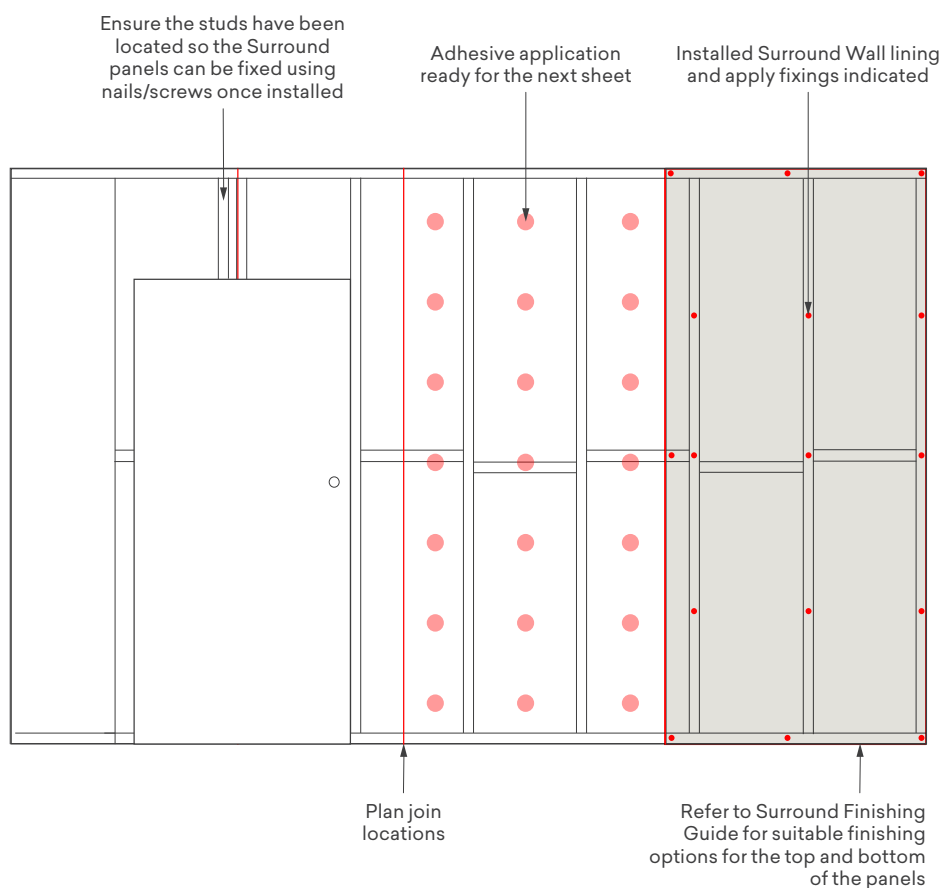
Please refer to section 6.3 and comply with all expansion gap requirements.

For any application where 9mm Surround by Laminex panels are applied to the internal side of an externally facing wall, the back surface of the Surround by Laminex panel must be primed. This is to minimise moisture transfer from external environments.

If planning on using a floor tile as a skirting in the bathroom and if the provisions of **AS 3740** – Waterproofing of domestic wet areas are met, then a waterproofing membrane may be in place in the immediate vicinity of the walk-in shower and splash zone.

It is extremely important that all exposed substrate edges are sealed appropriately and effectively. This can be done so by applying at least one coat of primer and two coats of acrylic topcoat paint prior to being exposed to any area where moisture may be present.

Once the spacing and joint location has been planned, which may necessitate the first sheet being cut, start from one corner of the installation and work across.



Apply construction adhesive starting with a 5mm bead around the edge of the panel (back face). Then apply an additional zigzag pattern of 5mm bead of adhesive, ensuring that the bead is within 15-20mm of the panel edge.

Ensure there is a 10mm expansion gap at the wall to floor interface. Material off-cuts or other spacers can be used as a removable prop to lift the Surround by Laminex panel off the floor.

Ensure there is a 10mm expansion gap at the wall to ceiling interface.

- Use a spirit level to ensure the Surround by Laminex panel is accurately placed onto the frame.
- Using nails or screws, fix the panels to the battens/furring channels. Space the nails/screws approx. 200mm to 300mm apart.
- Fix nails/screws 50mm from side and 10mm from top and bottom of the Surround by Laminex panel.
- It is important that a fixing pattern be followed. The fixing must work from the centre out in every direction. If this is not possible on larger panels, fix along one side first and then work across the panel on all patterns evenly.
- Remove the spacer from the bottom of the Surround by Laminex panel.
- Fix the other panels using the same method outlined above, working along the wall from the first panel.
- Make sure you leave a 1.0mm to 1.5mm gap at each join to allow for expansion of the panels.
- When you get close to the corner or a doorway, measure the gap from the fixed panel to the corner and cut the next panel so that it fits the remaining space. Fix the panel using the same method as described above.
- Do not hard knock panels together.

Once installed it is extremely important to ensure all gaps around the panels are sealed so moisture is not exposed to the rear side of the panels.

6.8.3 Painting Surround by Laminex Panels in high humidity & damp areas

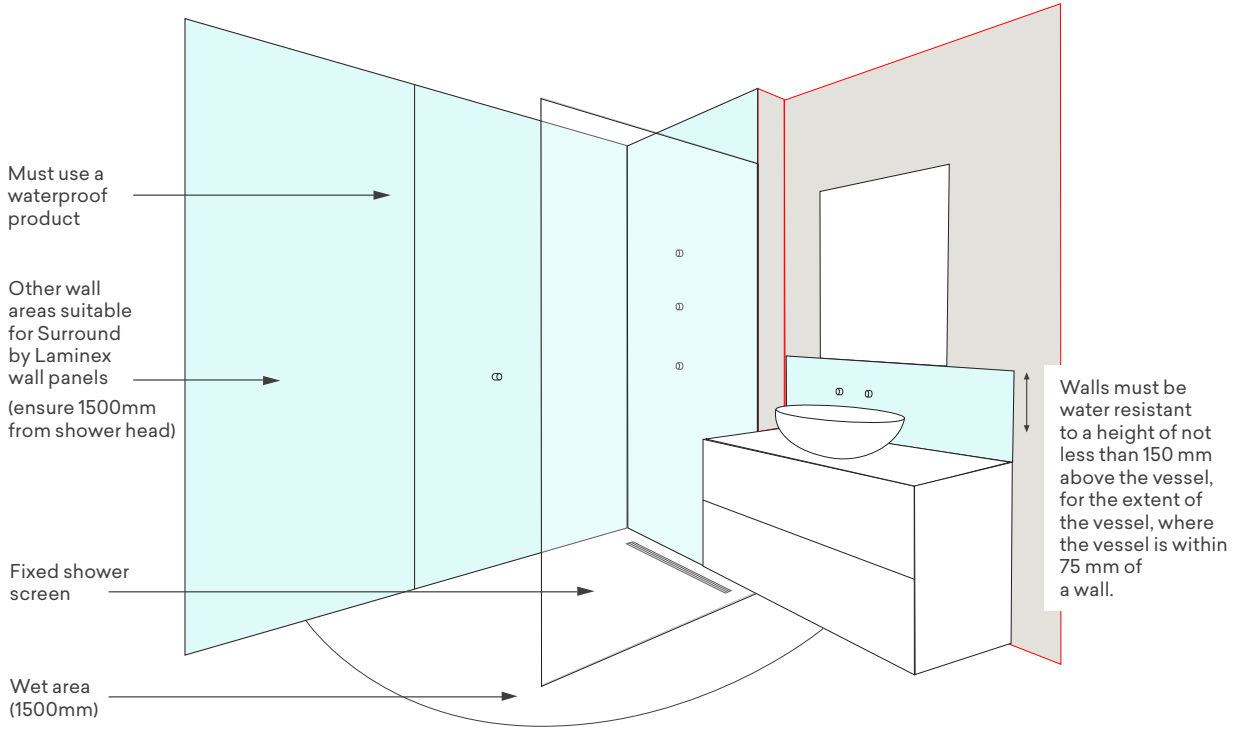
Prior to installing Surround by Laminex Wall Panels in high humidity & damp areas, ALL edges and the front surface MUST be completely sealed with a sealer primer undercoat. This includes when cutting holes for piping or tapware, and cutting the panels to your desired length. The faces must have at least two coats of acrylic top coat paint, or as advised by the paint manufacturer.

To avoid cracking or warping, in areas exposed to full sunlight, dark colour paints should not be used. The light reflective value (LRV) must be 50% or more for interior applications. The paint manufacturer can detail the LRV of the paint being applied.

Always use high quality paint and follow the paint manufacturers' installation instructions regarding the amount of coats required. For the best finish, low gloss or satin finish paints are recommended.

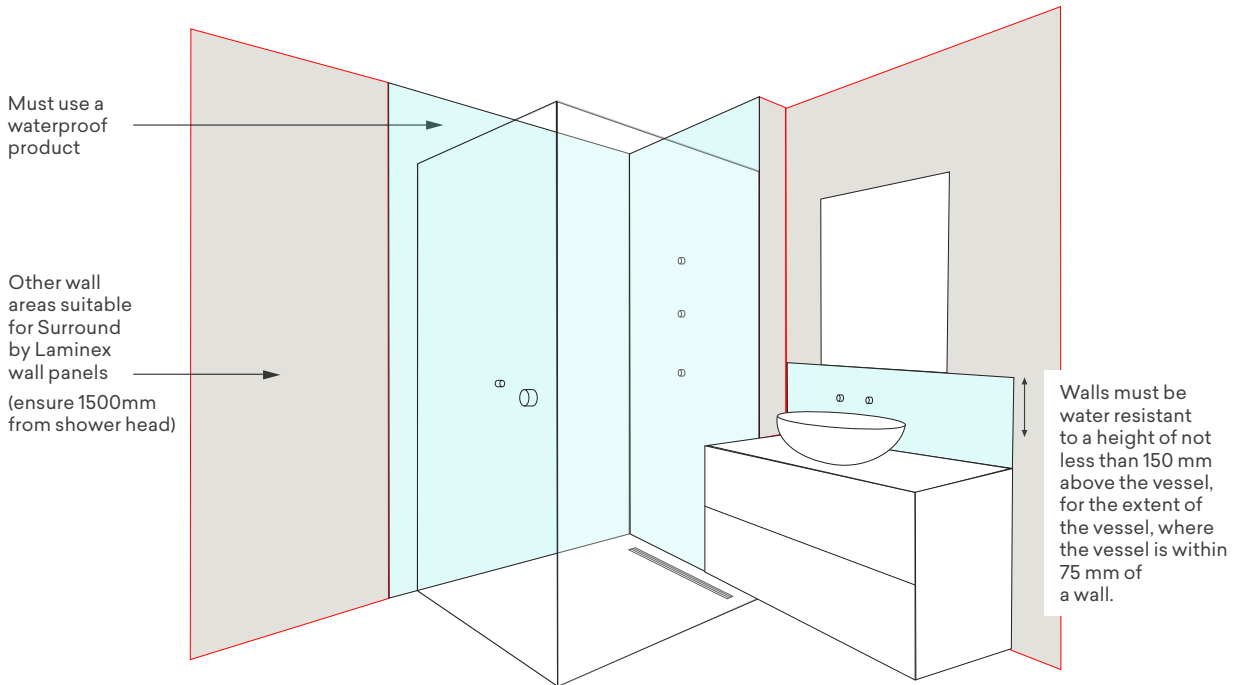
The Australian Standard **AS/NZS 2311:2017** guide to the painting of buildings is the recognised industry standard for the painting industry.

Open shower



Surround by Laminex panels MUST not be in a location where they will get wet.

Enclosed shower



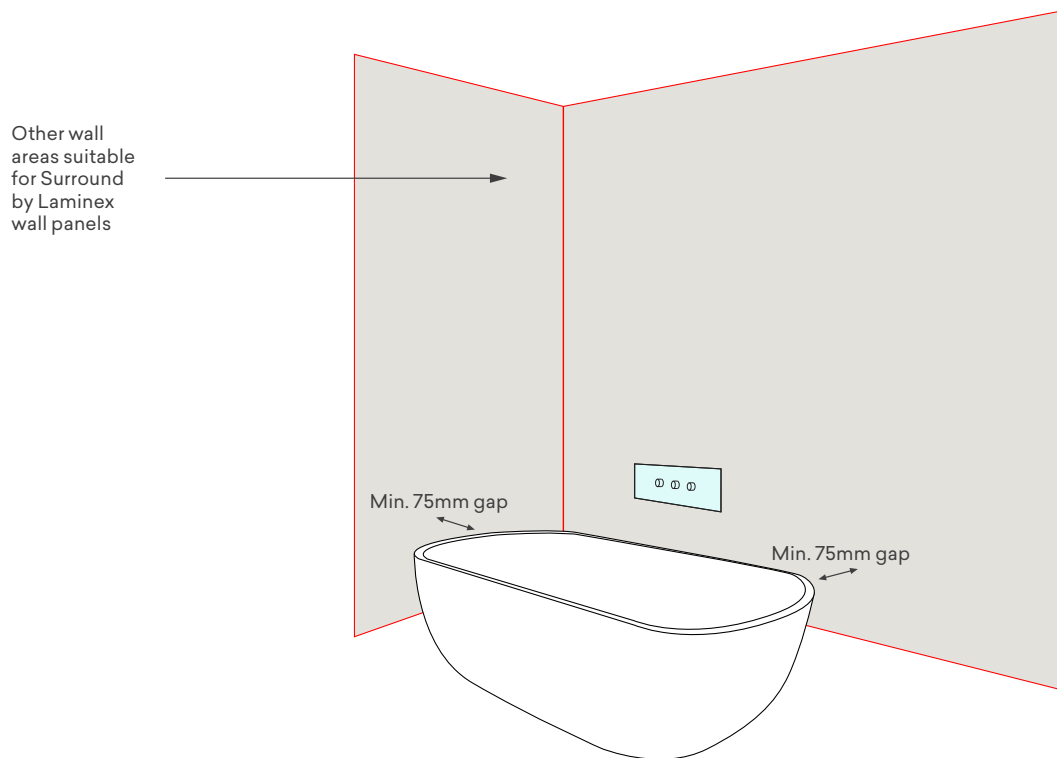
Key

- Splash Zone (Waterproofing Required)
- Surround by Laminex Panels

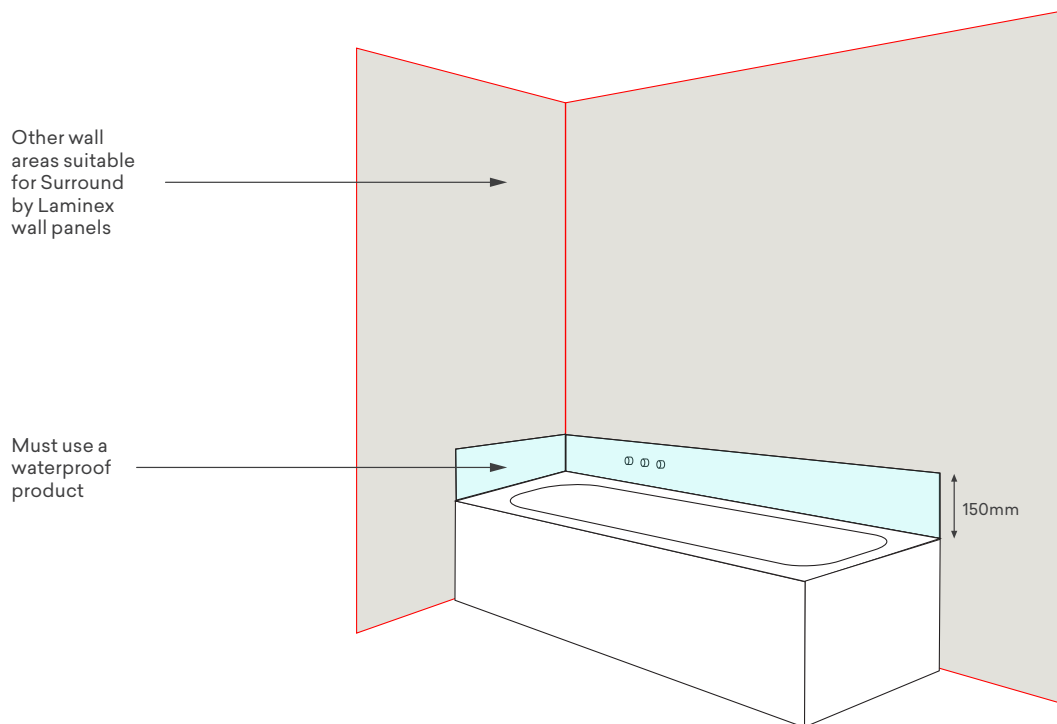
Installation must comply to:
 - AS3740-2010: Waterproofing of Domestic Wet Areas, and;
 - Australian Construction Code - ACC Vol.1 & Vol. 2 - Building Code of Australia.

Laminex reserves the right to update this document prior to the stated expiry date. Refer to laminex.com.au for the latest revision of this document.

Bath – Free standing



Bath – Fixed



Key

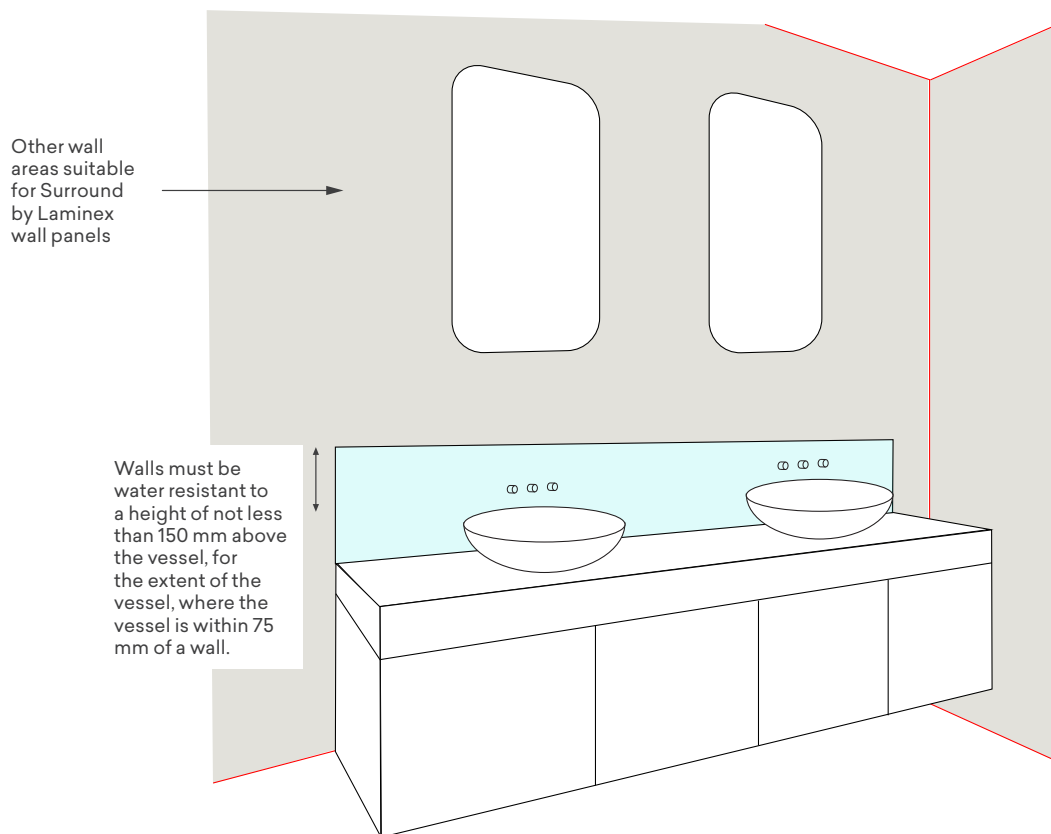
- Splash Zone (Waterproofing Required)
- Surround by Laminex Panels

Installation must comply to:
 - AS3740-2010: Waterproofing of Domestic Wet Areas, and;
 - Australian Construction Code - ACC Vol.1 & Vol. 2 - Building Code of Australia.

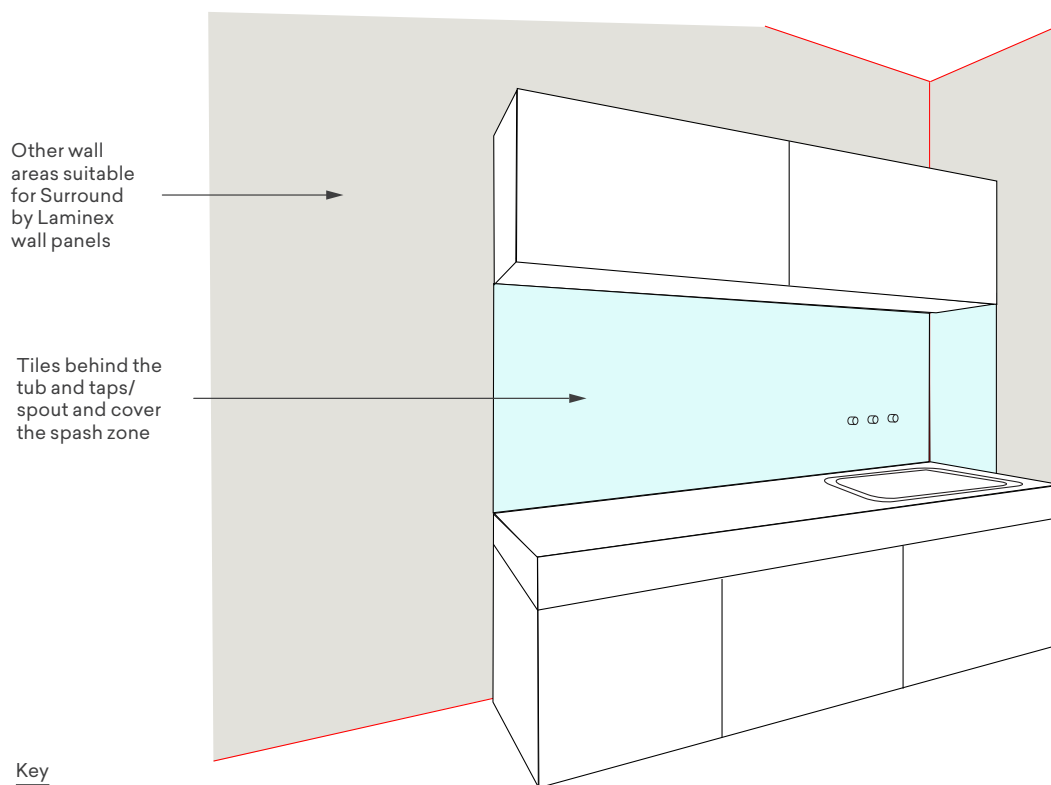
Laminex reserves the right to update this document prior to the stated expiry date. Refer to laminex.com.au for the latest revision of this document.

Version 4 Issued: 10/2024
 Document Expiry Date: 10/2027

Vanity



Laundry



Key

- Splash Zone (Waterproofing Required)
- Surround by Laminex Panels

Installation must comply to:
 - AS3740-2010: Waterproofing of Domestic Wet Areas, and;
 - Australian Construction Code - ACC Vol.1 & Vol. 2 - Building Code of Australia.

Laminex reserves the right to update this document prior to the stated expiry date. Refer to laminex.com.au for the latest revision of this document.

Version 4 Issued: 10/2024
 Document Expiry Date: 10/2027

6.9 Installation of Surround by Laminex adjacent to fireplaces & stoves

Safety: When planning to install Surround by Laminex wall panels near your fireplace, safety is the most important consideration. Before installing a fireplace make sure you have checked all safety standards and clearance rules that apply. The distance required between a fireplace unit and any combustible material have regulations set out in the fireplace Australian Safety Standards. It is also important to check state-based regulations as rules vary from state to state.

- Ⓜ Standard Surround by Laminex panels are made from MDF, which is classified as a combustible (Group 3) material. Surround by Laminex must only be installed in locations where a Group 3 (or above) combustible material is permitted adjacent to the heat source.
- Ⓜ Damage caused by installation adjacent to or around a fireplace is not protected under warranty. Smoke, creosote, ash & soot deposits may permanently damage or impact the appearance of the panels and may be difficult to clean.
- Ⓜ Damage to Surround by Laminex panels caused by a poorly maintained fireplace, flue or other fittings and fixtures used in association is not protected under warranty.

The fireplace design, type of fuel it uses and whether it emits heat, smoke, embers or other pollutants to the surfaces and fixtures nearby must all be taken into consideration when planning your project. Please hire a professional tradesperson if you need any assistance when installing your Surround by Laminex panels.

Types of fireplaces:

There are many kinds of fireplaces which are defined by the type of fuel and the overall design of the appliance.

Fuels may include: wood burning, gas burning, ethanol burning, pellets, alcoholic gel, liquid fuels, electric, etc.

Design styles may include: open hearth, closed hearth (with doors), freestanding stoves, enclosed zero clearance fireplaces.

There are other bespoke designs or modified versions of traditional fireplaces.

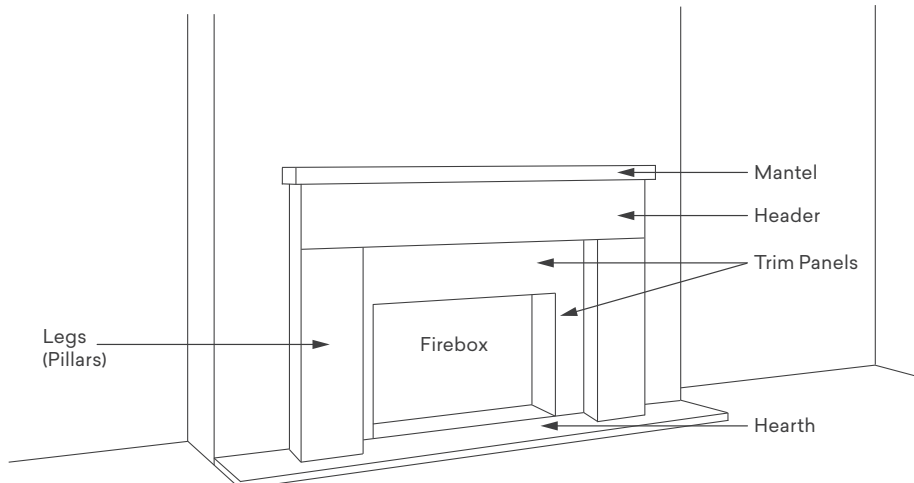
Installation of Surround by Laminex on walls adjacent to a fireplace:

Please follow all instructions for Surround by Laminex determined by the type of wall to which the panels will be affixed.

Where a purchased fireplace unit is used, it is very important to follow the manufacturer's instructions that guide what types of materials must be considered for use around the appliance, taking note of instructions for non-flammable and combustible materials. Surround by Laminex cannot be used in any location or on any surface which are restricted from use of combustible materials.

Some fireplaces (e.g. open hearth – wood burning) are constructed with an open-faced firebox in brick or stone and are part of the architecture of a property where no manufacturer's guidance is provided. Where this is the case, please consult with a licenced industry specialist to ensure construction is in accordance with the Fire Code/applicable Australian Standards and National Construction Code.

A guide to names of fireplace elements

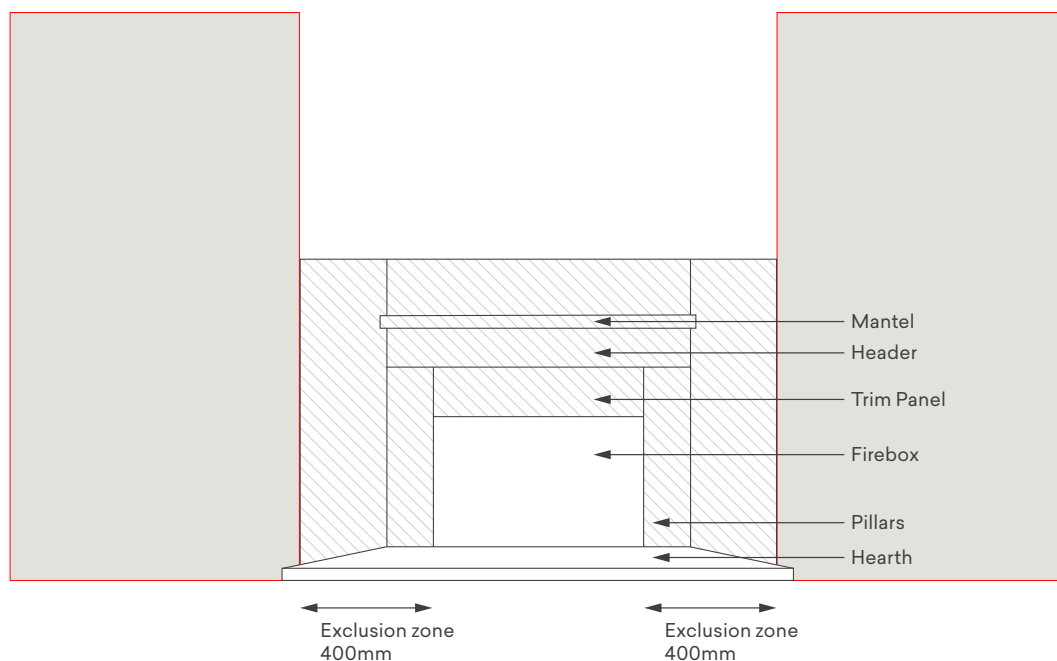


Traditional fireplaces (open or closed):

Surround by Laminex panels may be used adjacent to the surround or trim panels-legs, jambs or pillars, or above the mantelpiece where a distance of at least 400mm is maintained between the external edges of the firebox and the closest edge of the panel.

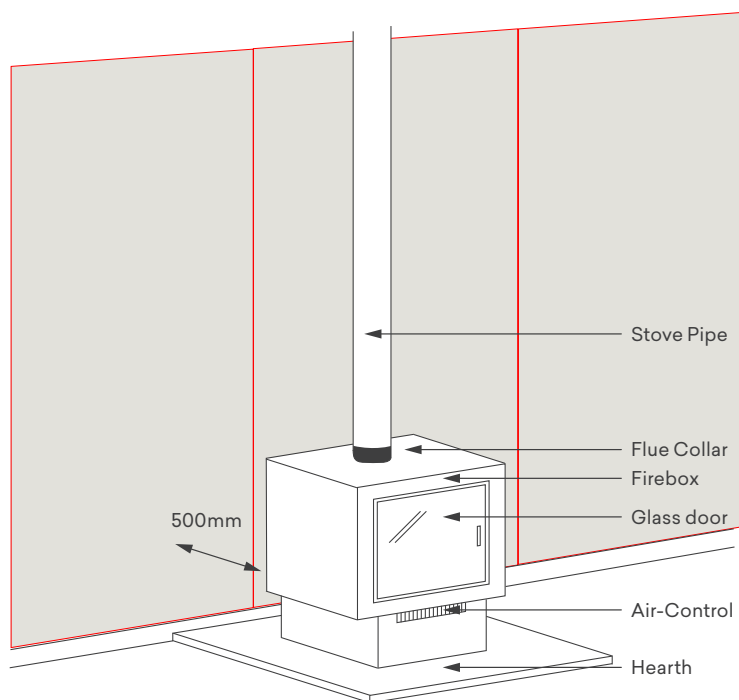
Surround by Laminex panels cannot be used for any of the following elements of a fireplace:

- Inside or around the firebox
- Hearth/plinth
- Legs, jambs, or pillars
- Surround or trim panels
- Header, corbel or mantelpiece



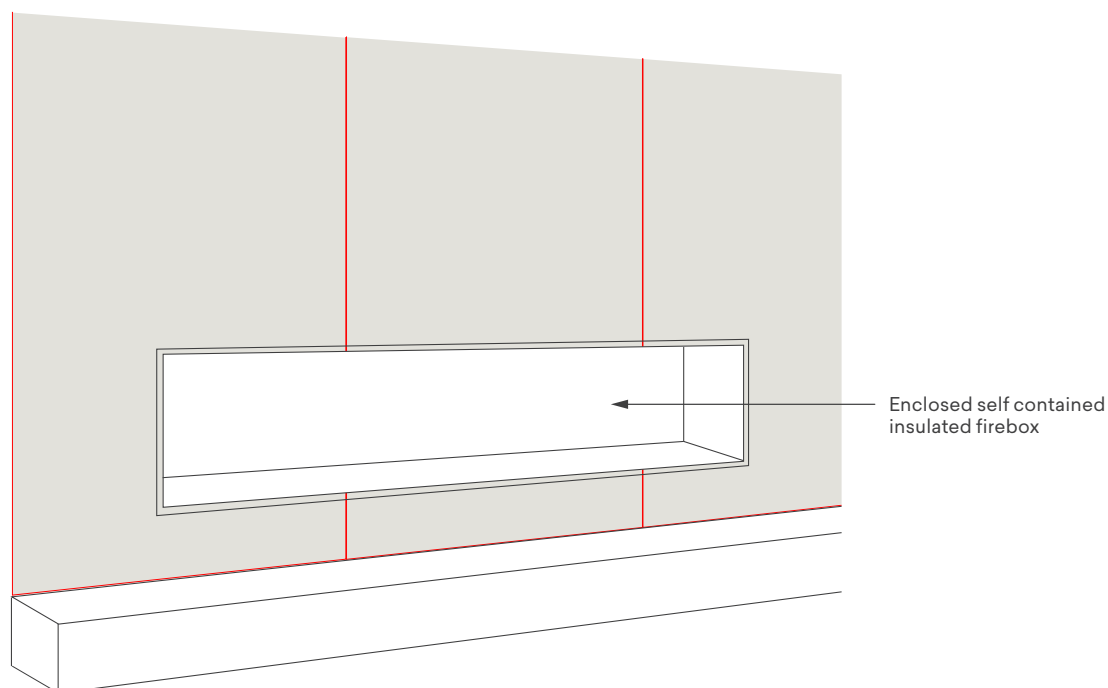
Freestanding fireplaces:

Surround by Laminex panels may be used on walls adjacent to the fireplace or on a wall behind a freestanding wood burner where there is a maintained distance of at least 500mm from the nearest edge of the flue or heat conducting material.



Zero clearance fireplaces:

Surround by Laminex panels may be used up to the sealed edge of a zero clearance fully insulated self-contained firebox when installed using the manufacturer's instructions.



6.10 Use and fixing of dado rails and mouldings

Dado rails or equivalent timber mouldings must be employed as a finishing trim:

1. Along the join between any two different Surround by Laminex panel décor used together
2. Where a Surround by Laminex panel finishes part way up a full height wall
3. Where the top edge of a Surround by Laminex panel may be viewed from a void or higher position in the property
4. To delineate between Surround by Laminex panels and a transition to painted or textiled finishes on the same wall

Various options for finished timber trims, moulding and dado or chair rails are available.

7.1 What is kerfing?

Kerfing is a technique used to create flexible or curved shapes in various materials, including wood, plastic, or metal. The process involves making a series of parallel cuts along a specific line or curve in the material.

To begin the kerfing process on Surround by Laminex, you will need a suitable cutting tool, such as a table saw, power saw, or router depending on the material you are working with and whether working on-site or in a workshop. Selecting a cutting tool appropriate for the material's thickness and fully supporting the material during cutting is critical.

7.2 Cabinetry installation

Preparing the cabinetry

Designing cabinet components for decorative curved panels needs careful planning for the support structure of the kerfed panels. Check the radius of the intended cabinetry is aligned with the selected Surround by Laminex décor. The minimum radius under warranty is 600mm for Demi Round & Scallop décor & 500mm for all other Surround by Laminex décor. It is important to choose a suitable profile for the degree of curvature involved in the project.

Designing supporting structure

This can be approached in one of two ways.

1. A mould structure is built to which the Surround by Laminex curved pieces are combined with a panel of Craftform® (or equivalent product) bonded together. Refer to Trade Essentials Craftform® circular construction document - Trade Essential Raw MDF brochure.
2. A curved substructure to which the Surround by Laminex panels are affixed which forms a permanent section of the integral cabinetry build. If using a curved substructure (full substrate) use 3mm-6mm bending ply, 3mm-6mm raw MDF or 9mm Trade Essentials Craftform® (long or short cut needs to be planned) as a formwork to fix the kerfed Surround by Laminex panels to.

An open frame design is subject to more challenges in fixing. If used, a minimum of top and bottom rails in 16mm MDF or PB with central ribs at a spacing of every 250mm. Please note the degree of curvature will determine how many ribs are required. Refer to the curving specification table for the recommended interval and depth of the kerf cuts.

Cutting the panels

Mark the locations for the kerf cuts using a pencil or marking tool. Refer to the curving specification table for spacing between the grooves.

Set up your CNC or manual cutting tools to the required settings outlined in the specification table. A jig can be created for more accurate even spacing. Normal woodworking tooling is required noting that cutting tips need to be 3mm wide.

Adjust the blade height and refer to the depths of cuts and positions in the specification table. It is important not to exceed the depth of the cut as failure of the panels may occur.

Carefully make the kerf cuts along the marked lines, using a slow and controlled motion. Keep the panel securely clamped to prevent any movement.

Apply even coverage of PVA glue but avoid using excessive glue that might squeeze out when clamped. Follow the manufacturer's instructions for the amount to be used.

The kerf cuts will allow the panel to flex when the process handling and installation are followed correctly. Preventing breakage requires the panel to be supported at all times during handling.

Installing the curved panels to the interior cabinet frame

Ensure that your interior cabinet frames are constructed and ready for installation.

Have your kerfed Surround by Laminex panels, flexible construction adhesive, clamps, screws, and other necessary tools on hand.

Measure the dimensions of the cabinet openings where you intend to install the kerfed Surround by Laminex panels.

Transfer these measurements to the kerfed panels, marking the areas where the panels need to be trimmed to fit precisely.

Using a powered saw, trim the kerfed Surround by Laminex panels along the marked lines to match the dimensions of the cabinet openings. Always make sure that the panels are fully supported while machining and handling.

Gently bend the panel along the kerf cuts, following the desired radius on the supporting structure. Refer to Trade Essentials Craftform® circular construction document - Trade Essential Raw MDF brochure.

Sand the cut edges to ensure a smooth flake/chip-free surface.

Fix kerfed Surround by Laminex panels to prepare cabinetry.

Ensure all expansion gaps are maintained (2mm per meter min) between panels and fixtures to permit the panels to react in environmental conditions. All expansion gaps must be filled with flexible sealant (25% movement minimum).

All penetrations through the panels must be sealed on all edges.

Wet area sealant must be maintained for all wet-area installations per Standards Australia (2018)- **AS 4386** Cabinetry Commercial & Domestic 2018: Cabinetry Requirements.

7.3 Wall installation

Preparing the wall

Designing wall components for decorative curved panels needs careful planning for the support structure of the kerfed panels. Check the radius of the intended wall structure is aligned with the selected Surround by Laminex décor. The minimum radius under warranty is 600mm for Demi Round & Scallop décor & 500mm for all other Surround by Laminex décors. It is important to choose a suitable profile for the degree of curvature involved in the project.

Designing supporting structure

A curved wall structure is permanently fixed at the desired radius to which Surround by Laminex panels are affixed.

Please note the degree of curvature will determine how many stud fixings are required.

Refer to the specification table for the recommended interval and depth of the kerf cuts based on the profile of the panels.

Cutting and bending the panels

Setup the workplace to fully support the panels and mark the locations for the kerf cuts using a pencil or marking tool. Refer to the table for spacing between the grooves.

Place a straightedge or guide along the marked lines to ensure straight and even cuts. Make sure the panels are always fully supported when cutting and handling

Measure the dimensions of the wall openings where you intend to install the kerfed Surround by Laminex panels.

Transfer these measurements to the kerfed panels, marking the areas where the panels need to be trimmed to fit precisely.

Set up your table of powered saw or manual saw cutting tools to the required settings outlined in the specification table. A jig can be created for more accurate even spacing. Normal woodworking tooling is required noting that cutting tips need to be 3mm wide.

Using a powered saw, trim the kerfed Surround by Laminex panels along the marked lines to match the dimensions of the wall openings. Always make sure that the panels are fully supported while machining and handling.

Adjust the blade height according to the table above. Refer to the depths of cuts and positions in the specification table. It is important not to exceed the depth of the cut as failure of the panels may occur. Cuts depths exceeding the guidance table can result in visual imperfections on the finished face material.

Carefully make the kerf cuts along the marked lines, using a slow and controlled motion. Keep the panel securely clamped to prevent any movement.

Apply even coverage of PVA glue but avoid using excessive glue that might squeeze out when clamped. Follow the manufacturer's instructions for the amount to be used.

Gently bend the panel along the kerf cuts, following the desired radius

Installing the curved panels to the wall

Refer to section 6 for the installation instructions according to the required wall type.

Please ensure careful handling, transport, and fixing of the curved panel due to its increased flexibility within the panel.

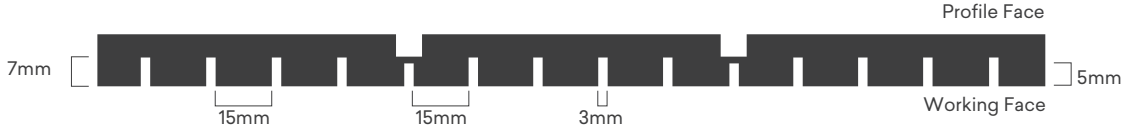
- Ⓜ FR substrate panels that are curved do not comply with Group 2 fire classification.

Curving Surround by Laminex

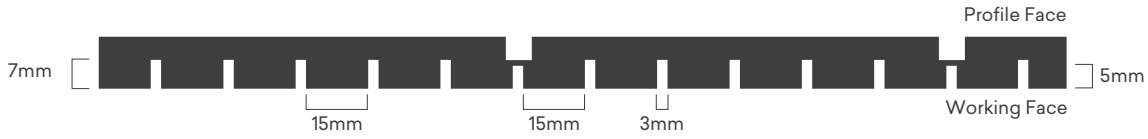
Batten 25



Batten 75



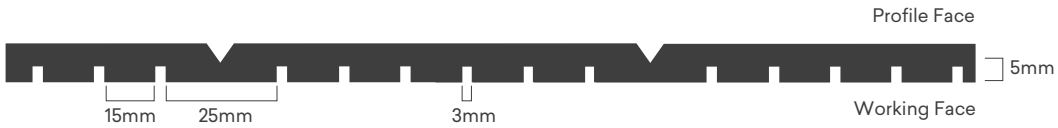
Batten 100



Batten 300



Classic VJ 100

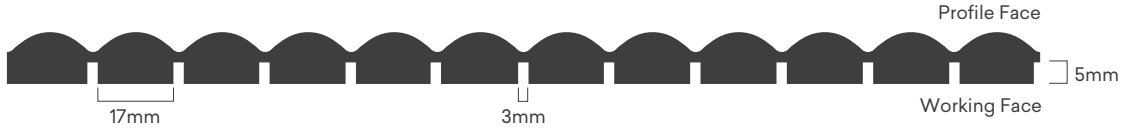


Planning is necessary for positioning the groove at the join. We recommend allowing 10mm gap between the groove and end of the join

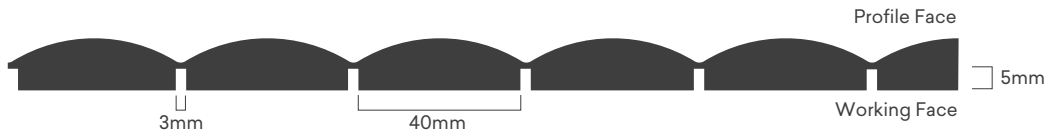
Classic VJ 200



Demi Round 20



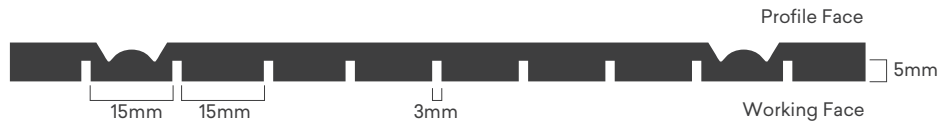
Demi Round 40



French Stripe 30



Heritage 150



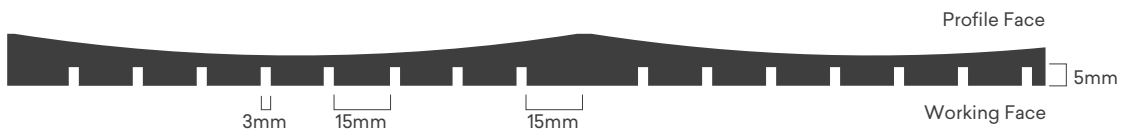
Scallop 22.5



Scallop 45



Scallop 135



7.4 Curving specification table

Profile	Minimum Curved radius (mm)	Spacing between the grooves (mm)	Groove depth (mm)	Groove width (mm)
Batten 25	500	Spacing between each point 22mm located at the centre of the batten profile.	5mm depth on the profile area and 7mm depth on the non-profile area.	3
Batten 75	500	Spacing between each point is 15mm located at the centre of the profiled area. The spacing between the non-profile area is 15mm	5mm depth on the profile area and 7mm depth on the non-profile area.	3
Batten 100	500	Spacing between each point is 15mm located at the centre of the profiled area. The spacing between the non-profile area is 15mm	5mm depth on the profile area and 7mm depth on the non-profile area.	3
Batten 300	500	Spacing between each point is 15mm located at the centre of the profiled area. The spacing between the non-profile area is 15mm	5mm depth on the profile area and 7mm depth on the non-profile area.	3
Classic VJ 100	500	Spacing between each point is 25mm with the VJ profile located at the centre. The spacing between the non-profile area is 15mm.	5mm depth of all grooves.	3
Classic VJ 200	500	Spacing between each point is 25mm with the VJ profile located at the centre. The spacing between the non-profile area is 15mm.	5mm depth of all grooves.	3
Demi Round 20	600	20mm spacing from every semi-circle profile end	5mm depth of all grooves	3
Demi Round 40	600	40mm spacing from every semi-circle profile end	5mm depth of all grooves	3
French Stripe 30	500	5mm spacing centre in from each side of the profile	5mm depth of all grooves	3
Heritage 150	500	15mm from the centre of the profile. The spacing between non profile area is 15mm	5mm depth of all grooves	3
Scallop 22.5	600	22.5mm spacing located at the center of the semi-circle profile	7mm depth of all grooves	3
Scallop 45	600	10mm spacing from the semi-circle profile border and 20mm spacing at the curved profile	6.5mm depth of all grooves	3
Scallop 135	600	15mm off from the centre of the profile and spacing between each groove is 15mm	5mm depth of all grooves	3

8.1 Preparing the ceiling

Allow the panels to achieve EMC in the area where they will be installed for 48 hours before proceeding with the installation.

Any modification required to the structural framework must be conducted by a qualified tradesperson. Ensure that the ceiling structure is straight and level. Rectify any irregularities or defects.

Install battens across the ceiling trusses, maintaining a spacing of 450mm or less between them.

8.2 Installing panels to the ceiling

Laminex recommends installing the panels across the ceiling battens.

Begin the installation from one side of the room, working systematically across the entire ceiling.

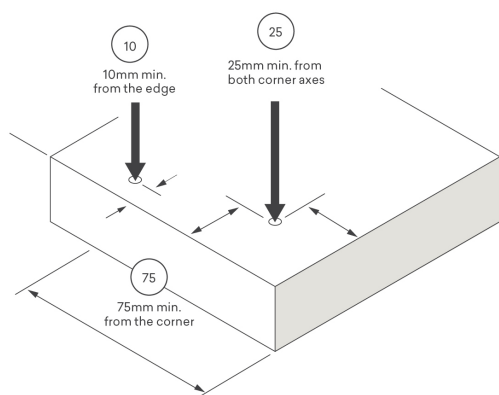
To install panels on the ceiling, begin by applying flexible construction adhesive at 600mm intervals on each batten and any noggins behind the first panel. Ensure that you follow the recommended quantity specified by the adhesive manufacturer. Continue this process for each subsequent panel working along the ceiling from one side to the other.

Next, position the first panel, keeping in mind any out-of-square battens.

Use nails or screws to fix the panel to the ceiling battens. Ensure screw or nail holes are filled with solid filler before painting.

Fixings must be carefully positioned to prevent splintering and breakout.

No face fixings are allowed less than 25mm to a corner or less than 10mm to an edge. No edge fixings are allowed less than 75mm to a corner.



Use a spirit level to ensure that the panel is level and adjust it as necessary using screws. The adhesive will help bridge any gaps between the panel and the batten.

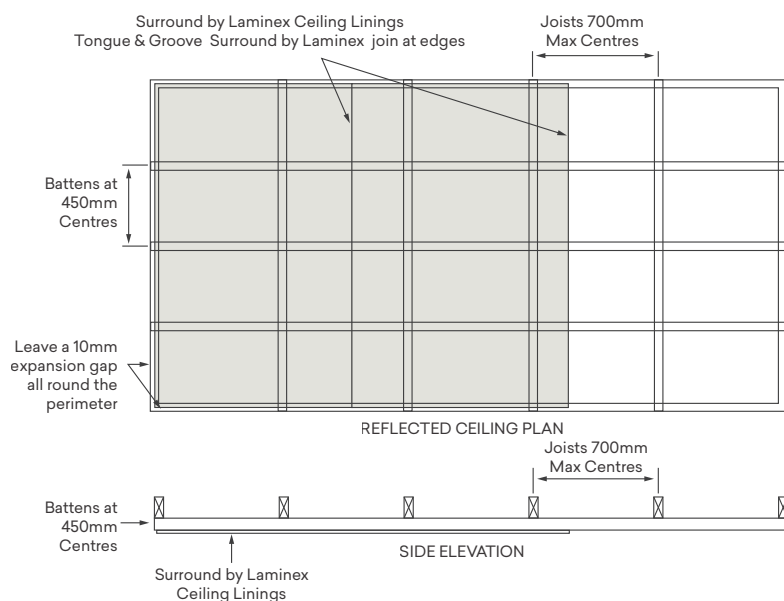
Screws or nails are spaced approximately 400mm apart to secure the panel to the battens, ensuring that the fixings penetrate the battens by at least 30mm.

Repeat this process to fix the remaining panels, progressing from one side of the ceiling to the other. Leave a 1.0mm to 1.5mm gap at each panel joint to allow expansion.

For the final panels, measure the remaining space and cut the panels 10mm shorter than the gap to be filled.

For the existing ceiling, Surround by Laminex panels must be fixed to the ceiling battens or joists. Failure to secure the primary ceiling structure may result in panels dislodging where they are secured only to the ceiling substrate. Its outcome is dangerous to the occupants of the room and must be avoided.

- Ⓜ Failure to secure the Surround by Laminex panels to the primary ceiling structure will not be recognised under warranty.

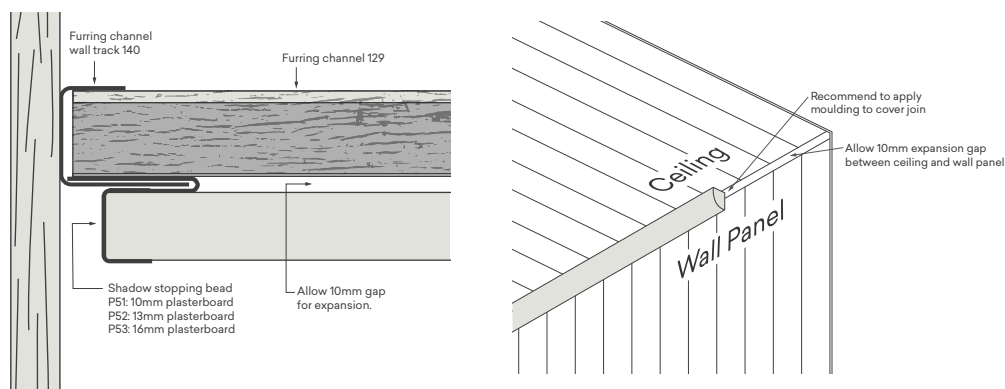


8.3 Ceiling finishing

Wall to ceiling option

Various options are available for finishing the junction between the wall and ceiling. These include:

1. Timber cornice/mould: utilising timber cornice or mouldings to create a decorative transition between the wall and ceiling.
2. Plaster cornice: installing plaster cornice, which is another popular choice for adding a refined look to the wall-to-ceiling interface.
3. Timber quad/bead, quad, scotia, ovolo: opting for timber quad, bead, scotia, or ovolo profiles, which offer different design possibilities for achieving the desired aesthetic.
4. Square set junctional shadow line utilising the 10mm expansion gap.



Please note that these are just suggestions, and there are numerous plasterboard cornices and timber mouldings available through various timber, hardware, and plasterboard suppliers. The displayed images and profiles are not exhaustive; they serve to demonstrate the wide array of possibilities for finishing and detailing Surround by Laminex panel installations. You have the freedom to explore and select from a diverse range of options to suit your preferences and requirements.

8.4 Keynotes:

1. Ensure the ceiling structure is straight and level.
2. Ceiling battens must be placed at intervals of 450mm or less.
3. Plan how you'll finish internal and external corners before starting the installation.
4. DO NOT END BUTT panels as they may lead to ongoing movement; use a cover mould or bulkhead design instead.
5. Heritage and Classic VJ 100 décors are both available in 9mm thick with no white backer on the panel, so priming on the back face is required.
6. All others décors are only available in 12mm with the white backer so no priming on the back face required.
7. If the joists are spaced at 450mm or less, the panels can be installed directly onto them.
8. When using a power saw, cut with the face side down. When using a handsaw, cut with the face side up. If using a powered saw, refer to the manufacturing guidelines for directional cutting.
9. Leave a 10mm expansion gap around the perimeter of each room's ceiling.
10. Allow a 1.0mm to 1.5mm expansion gap at each joint between panels.
11. If joining off the battens, support any joins with additional noggin where required.
12. Surround by Laminex panels are a timber-based product. Care should be taken when installing to manage the moisture environment from the adjacent air conditioning plant and pipe works. 6.8 in the fabrication manual for wet area installations (e.g., bathrooms, laundries, and kitchens).
13. (W) Penetration through Surround by Laminex panels to accommodate light fittings, shower fittings, ducts, and vents of any description, should be sealed to prevent moisture ingress to the panel and prevent leakage behind the panels. Recess shower heads into the surface of Surround by Laminex ceiling panels is not a warrantable application.

DISCLAIMER: Surround by Laminex Wall Panels cannot be installed in direct 'Splash Zones'. This includes showers or in any application where a vessel (bath, tapware or basin) is within 75mm of the wall. However, Surround by Laminex Wall Panels can be installed on all other walls within bathrooms and laundries, so long as the installation complies and is in accordance with **AS 3740** and **NCC Volume One**, F1.7 and Volume Two, 3.8.1).

- (W) Claims resulting from failure to adequately seal all exposed edges will not be recognised.

9.1 Painting

Surround by Laminex is supplied as a pre-primed panel.

Surround by Laminex come pre-primed on the decorative face.

Before painting is commenced it is important to ensure the surface of the Surround by Laminex panel is properly prepared.

Fill all nail/screw holes and imperfections with a suitable water-based wood filler and allow to dry.

Lightly sand all surfaces to be coated to obtain a smooth and even finish. Use a sanding sponge or progressively use finer grit sandpaper to achieve a smooth edge free of damage, cracks, dents or notches.

Care must be taken not to abrade the decorative routed areas as this may result in permanent damage of the surface to be painted.

Ⓜ Damage to Surround by Laminex panels as a result of surface or panel preparation activities will not be recognised under warranty.

Use a soft brush to remove all sanding/processing dust and contamination before painting commences.

Do not introduce oils, water or solvents in contact with the Surround by Laminex panels during the prepping and painting processes.

Follow all paint manufacturer's directions including checking if the pre-finished base primer is suitable for the intended painted finish.

Ⓜ Claims arising from unsuitable paint types or application, or poor paint appearance or performance, will not be recognised under warranty.

Important Information

Note	Details
<p>Ⓜ ONLY use for internal applications</p>	<p>Claims arising from external applications are not covered under warranty</p>
<p>Ⓜ DO NOT use for horizontal (eg. benchtops, shelving surfaces) and flooring applications</p>	<p>Claims arising from horizontal and floor applications are not covered under warranty</p>
<p>Ⓜ ONLY use for interior applications</p>	<p>Claims arising from applications where the product could be contacted by water or liquids, either routinely or by accident, are not covered under warranty</p>
<p>Ⓜ DO NOT expose to excessive heat or moisture</p>	<p>Claims arising from frequent or excessive exposure to heat or moisture are not covered under warranty</p>
<p>Ⓜ DO NOT butt join panels</p>	<p>Claims arising from peaking, movement or any failure of panels installed due to the use of butt joins, are not covered under warranty</p>
<p>Ⓜ DO NOT expose to prolonged direct or indirect UV light</p>	<p>Claims arising from prolonged exposure to UV light (natural or artificial sources) resulting in shrinkage, warping are not covered under warranty</p>
<p>Ⓜ Causes of bowing</p>	<p>Claims arising from incorrect conditioning, poor storage, exposure to humidity changes, or incorrect installation, are not covered under warranty</p>
<p>Ⓜ ONLY use recommended storage and handling methods</p>	<p>Claims arising from incorrect storage and handling are not covered under warranty</p>
<p>Ⓜ ONLY use recommended fabrication methods</p>	<p>Claims arising from incorrect fabrication methods are not covered under warranty</p>
<p>Ⓜ ONLY use recommended care and maintenance methods</p>	<p>Claims arising from staining or damage attributable to not following care and maintenance instructions, are not covered under warranty</p>
<p>Ⓜ ALWAYS comply with installation methods or expansion gap allowances</p>	<p>Claims relating to peaking, movement or failure of panels in place due to insufficient expansion gaps or failure to follow installation requirements, are not covered under warranty</p>
<p>Ⓜ Bonding directly to plaster, plasterboard, masonry or concrete</p>	<p>Claims arising from poor bonding or fixing methods, or failure of the substrate to which the panel is fixed resulting in dimensional instability, gaps, bowing, undulations, telegraphing or other failures of the decorative surface or poor bonding, are not covered under warranty</p>
<p>Ⓜ DO NOT abrade or damage the routed designs whilst sanding and preparing for painting</p>	<p>Care must be taken not to abrade the decorative routed areas as this may result in permanent damage of the surface to be painted. Damage to Surround by Laminex panels from paint preparation or application will not be covered under warranty.</p>
<p>Ⓜ ALWAYS consult painting manufacturers guidelines</p>	<p>Claims arising from unsuitable paint types or application, or poor paint appearance or performance are not covered under warranty</p>
<p>Ⓜ Always confirm wet area use is in accordance with specification AS3740 & NCC Volume One, F1.7 & Volume Two 3.8.1</p>	<p>Claims arising use use of Surround by Laminex in contravention of the specification AS3740 & NCC Volume One, F1.7 & Volume Two 3.8.1 including the 75mm splash zone will not be covered under warranty</p>

Technical and Warranty Information

All technical information including Availability Guides, SDS, Technical Data Panels, Fabrication & Installation Guide and Warranties are located at laminex.com.au

Surround by Laminex products have a 12 month warranty.

The designs of the Surround By Laminex range are protected by Australian Design Registrations.

Visit Us

For location of your closest showroom or more information visit laminex.com.au

Product Sample

For a sample visit laminex.com.au

Call Us

For any enquiries 132 136

SURROUND
by Laminex™



A proud
Australian
manufacturer