

Laminex<sup>®</sup>

# FormWrap<sup>®</sup> Doors and Panels

## Installation Guide



A proud  
Australian  
manufacturer

# Contents

(click on the section  
to navigate)

<b>Section 1: Introduction</b>	<b>1</b>
1.1 Purpose of this guide	1
<b>Section 2: General Information</b>	<b>2</b>
2.1 Safety	2
2.1.1 Safety Data Sheet	
2.1.2 Personal Protective Equipment	
2.1.3 Tools and Equipment	
2.2 Handling	3
2.3 Storage	3
2.4 Packaging	4
2.5 Transport and Movement	4
2.6 Quality Control	5
2.6.1 Inspection	
2.7 Care and maintenance	5
2.8 Warranty	5
<b>Section 3: Application</b>	<b>6</b>
3.1 Interior	6
3.2 Exterior	6
<b>Section 4: Design Considerations</b>	<b>7</b>
<b>Section 5: Installation</b>	<b>9</b>
5.1 Oven and Heat Source Precautions	9
5.2 Rangehood and Appliance Use	9
5.3 Oven Door and Exhaust Maintenance	10
5.4 Dishwashers	11
5.5 Colour Matching and Material Variation	11

# Section 1: Introduction

## 1.1 Purpose of this guide

This guide has been created to provide clear instructions to install FormWrap Doors and Panels. Adherence to the techniques and guidelines presented in this guide will ensure the finished article is compliant with the conditions of the product warranty.

Throughout this guide, the (w) symbol will appear against any specific instructions that are linked to compliance with the Laminex FormWrap Doors and Panels warranty.

This guide has been developed to allow designers, fabricators, and installers who work with Laminex FormWrap Doors and Panels to achieve performance standards for both domestic and commercial applications.

It is important to note that the techniques and guidelines presented in this guide are those recommended for use with FormWrap Doors and Panels. Any variation from these guidelines may create unexpected performance problems and may void the warranty.

This guide provides instructions to comply with the product warranty to determine the suitability of this product for your particular purpose and needs.

While every precaution has been taken in the preparation of this document, Laminex assumes no responsibility for errors, omissions, or damages resulting from the use of information contained in this document. In no event will Laminex be liable for any loss of profit or any other loss or damage caused or alleged to have been caused directly or indirectly as a result of any person relying upon any information contained in this document.

Content in this guide is subject to change at any time without notice. Refer to Laminex FormWrap Doors and Panels at [laminex.com.au](http://laminex.com.au) for the latest revision of this document.

Panels should be installed with consideration to the relevant Australian Construction Code– Building Code of Australia, Volume 1 and 2, and the relevant Australian Standards as applicable to the project.



# Section 2: General Information

## 2.1 Safety

Safety training, product knowledge, and product use are the responsibility of the installation facility tradesperson and employees.

Equipment selection, use, and maintenance are the responsibility of the installation and/or fabrication facility tradesperson and employees.

Maintaining a clean and adequately ventilated workplace is the responsibility of the installation facility tradesperson and employees.

### 2.1.1 Safety Data Sheet

Refer to [laminex.com.au](http://laminex.com.au) for the latest version of the Safety Data Sheet (SDS) for this product.

### 2.1.2 Personal Protective Equipment

Always wear appropriate PPE when handling fabricating this product. Wear gloves, safety footwear, and suitable workwear apparel (no loose clothing or jewellery).



Gloves



Workwear



Boots

Occupational exposure to any type of dust is known to be hazardous to human health. Care must be taken to avoid the inhalation of dust. Follow good hygiene and workplace practices. Dust can be vacuumed or swept to avoid accumulation.

Dust masks must be worn in accordance with your State's WorkSafe (or equivalent) guidelines.



Dust Mask

### 2.1.3 Tools and Equipment

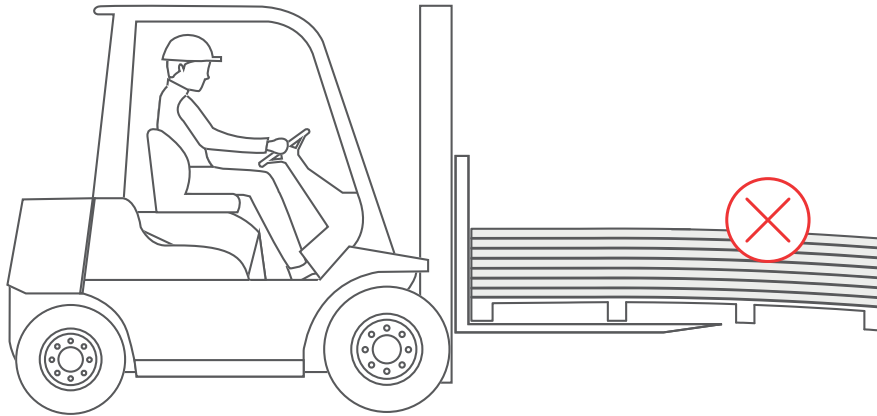
Use and maintain all tools and equipment in accordance with the manufacturer's instructions.

Keep all equipment safety guards and dust collection devices in place.

## 2.2 Handling

It's important to handle the panels with care during lifting. Panel can be lifted manually or using mechanical lifting device if lifting multiple panels. If manual handling is unavoidable, please ensure that the pack is lifted by two people.

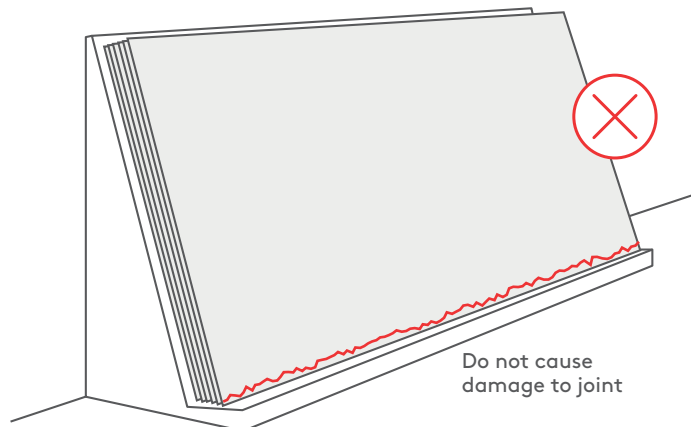
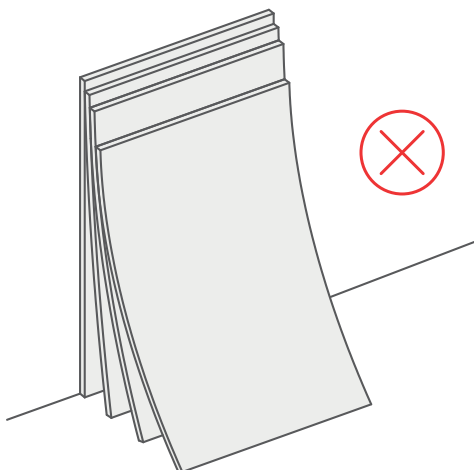
- Ⓜ If moving or transporting panels via forklift or suction lift, move panels carefully to avoid damage and ensure the right fork length is used for the panel size. Do not overload the forklift.



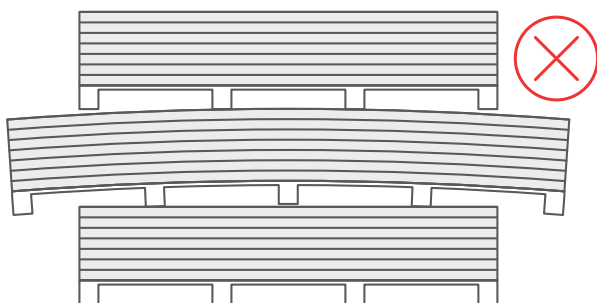
- Ⓜ **DO NOT** slide panels over one another to move them.
- Ⓜ Always lift with care and place the panels to avoid damage to the decorative surface.

## 2.3 Storage

- Ⓜ When working with loose panels of FormWrap Doors and Panels, where the original packaging is removed, the panels must be stored horizontally in a flat level fully supported manner. Place a protective cover over the unused panels.
- Ⓜ Packs must be stored on a level horizontal surface and aligned with each other. **CAUTION:** There is a decorative face on both sides of these panels.



- Ⓜ | Material must be stored in a dry, fully enclosed area away from exterior doors. Do not leave the panels in a weather exposed environment, and protect from UV light.
- Ⓜ | When working from a pack of FormWrap Doors and Panels, use panels as required and place a protective cover over the unused panels.
- Ⓜ | Do not store product on pallets with bearer spacings more than 600mm apart.



- Ⓜ | Do not stack other materials eg plaster board on the packs.

## 2.4 Packaging

The panels are received with protective transport film. This should be removed upon final installation.

## 2.5 Transport and Movement

It is important to take precautions when transporting FormWarp Doors and Panels. Ensure product surfaces and edges are protected when transporting, storing, fabricating, and installing panels.

All straps and restraint devices must remain grit and burr free and suitably tensioned to prevent movement of the product during transport. Covered loads are recommended to prevent damage during transport to the site.

- Ⓜ | During transportation, use flat, stable supports of at least the same dimensions as the material.
- Ⓜ | Claims for damage or surface abrasion due to unsuitable transport methods will not be recognised.

## 2.6 Quality Control

### 2.6.1 Inspection

**ALL** panels must be visually inspected prior to the commencement of **ANY** installation.

Before commencing any cutting or installation, the following must be checked:

- Correct items (thickness, profile design, etc)
- Consistent profiled design (ensure panels for the same installation are inspected for profiled design compatibility)
- Inspect for defects, such as: chips, scratches, evidence of transport damage, general quality of the surface finish and quality of the edge.

If products are believed to be defective, record all order details and contact your Laminex representative as soon as possible.

Ⓜ | Once cut or installed, no claims for visual defects will be recognised.

## 2.7 Care and maintenance

Refer to [laminex.com.au](http://laminex.com.au) for the latest version of the Care and Maintenance for FormWrap Doors and Panels.

## 2.8 Warranty

FormWrap Doors and Panels are covered by a 7-year limited warranty.

Refer to [laminex.com.au](http://laminex.com.au) for the latest version of the warranty for this product.



# Section 3: Application

## 3.1 Interior



Laminex FormWrap Doors and Panels are **ONLY** suitable for interior panel applications.



Laminex FormWrap Doors and Panels are strictly for use in interior, vertical applications. Whilst the door size range covers all domestic componentry door requirements, some minimum size restrictions do apply due to the machining constraints. Refer to our Made-to-Measure Doors and Panels Easy Reference Guide available on [laminex.com.au](http://laminex.com.au)

## 3.2 Exterior

FormWrap Doors and Panels are **NOT** suitable for use in any exterior applications.

# Section 4: Design Considerations

All designs must comply with current regulatory requirements, including the National Construction Code (NCC), Australian Standards (AS/NZS), and any applicable local, state, or national authorities. Where appliance manufacturer guidelines differ from statutory requirements, the stricter standard must be followed.

Installations must avoid exposure to steam, direct heat, or prolonged humidity. Products should not be placed near heat- or steam-emitting small appliances such as slow cookers, kettles, or toasters.

- Ⓜ All large appliances including dishwashers, refrigerators, microwaves, washers and dryers emit heat during use. Cabinetry design should consider protective measures such as heat deflectors or melamine panels or wherever larger appliances are installed.
- Ⓜ Claims will be void if the product is installed in a non-compliant area or fails due to misuse.

When mixing surface materials (e.g. vinyl foil, paint, melamine), consider UV stability—different materials may fade at different rates over time.

FormWrap Doors and Panels are wood-based and will respond to humidity changes. To minimise bowing:

- follow minimum hinge specifications (refer to the table on page 8)
- avoid doors above 2100mm height (mid rails are recommended)
- use split pantry doors and individual bar panel doors where possible (joinery brackets or connecting dowels can be used to join the two doors together).



For more details refer to Made-to-Measure Doors and Panels Easy Reference Guide available on [Laminex.com.au](http://Laminex.com.au).

## Door/panel sizing

TYPE	HEIGHT (MM)	WIDTH (MM)		
		UP TO 450	451 – 600	601 – 1200
<b>Hinged door/panel</b>	Up to 1800	✓	✓	×
	1801–2100	✓	Split doors*	×
	2101–2400	Split doors*	Split doors*	×
	2401–3050	Split doors*	Split doors*	×
<b>Fixed Panels</b> (held flat, eg. barbacks or fridge panels, etc.)	Up to 1800	✓	✓	✓
	1801–2100	✓	✓	✓
	2101–2400	✓	✓	✓
	2401–3050	✓	✓	✓

\* To achieve overall height, split order into at least two hinged doors/panels.

## Minimum number of hinges per door

DOOR HEIGHT	DOOR WEIGHT	MINIMUM NUMBER OF HINGES
<b>Up to 900mm</b>	Up to 9kg	2
<b>901mm-1600mm</b>	Up to 15kg	3
<b>1601mm-2000mm</b>	Up to 19kg	4
<b>2001mm-2400mm</b>	Up to 23kg	5

# Section 5: Installation

- Ⓜ Cutting down FormWrap Doors and Panels voids the product warranty. Each cut edge introduces a potential entry point for moisture, increasing the risk of MDF swelling and vinyl delamination.

FormWrap Doors and Panels are available in a wide range of cut-to-size options from Laminex. Installers must plan layouts to minimise the need for cutting. Where trimming is unavoidable (e.g. kickers, end panels), reduce the number of scribed edges and ensure all exposed areas are properly sealed to prevent moisture ingress.

## 5.1 Oven and Heat Source Precautions

- Ⓜ FormWrap Doors and Panels are heat-resistant but not heat-proof. Damage caused by excessive heat or poor appliance placement is not covered under warranty.

To protect panels near ovens:

For wall ovens, heat deflectors must be installed around the ovens to reduce the risk of heat exposure to the surrounding FormWrap cabinetry. Regularly inspect oven door seals to prevent heat leakage.

For free-standing ovens, heat deflectors or melamine decorative end panels must be installed either side of the free standing oven. If melamine panels are the desired option please check for complementary colour availability with the Laminex team.

- Ⓜ FormWrap Doors and Panels are **NOT** warranted for use without the installation of heat deflector shields around wall ovens.

- Ⓜ FormWrap Doors and Panels are **NOT** warranted for use without the installation of heat deflector shields or melamine decorative end panels either side of the free-standing oven.

## 5.2 Rangehood and Appliance Use

Cooking generates high temperatures and airborne moisture. Without proper ventilation, this can damage the surrounding FormWrap Doors and Panels.

Please ensure that the rangehood exhaust fan is on the highest setting during cooktop operation.

Fully extend retractable rangehoods during cooktop use to prevent heat escaping through the sides.

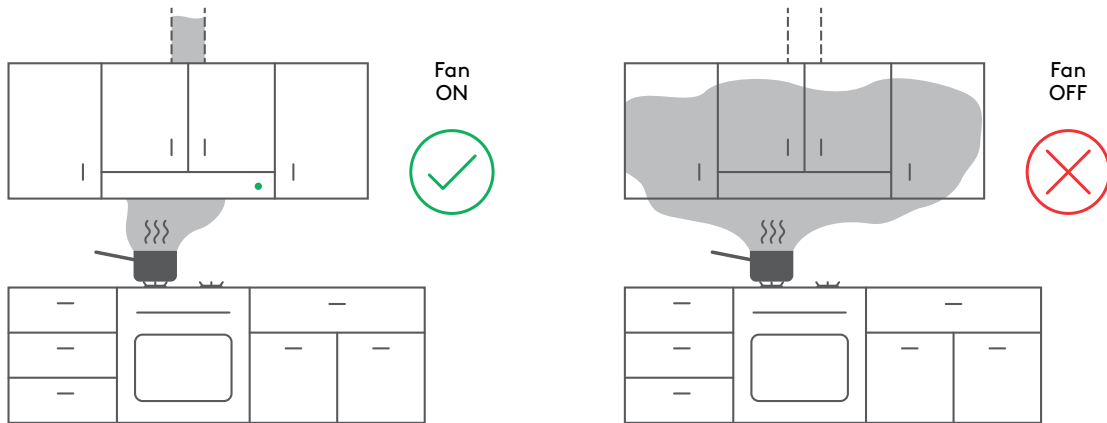
Portable appliances (e.g. toasters, frypans, grills, kettles, slow cookers) must be used under an active rangehood.



Allow appliances to cool before storing or placing near FormWrap surfaces.

Ⓜ Failure to follow these ventilation guidelines will void the warranty.

Ⓜ FormWrap Doors and Panels are NOT warranted for use with concealed/slide-out rangehoods.

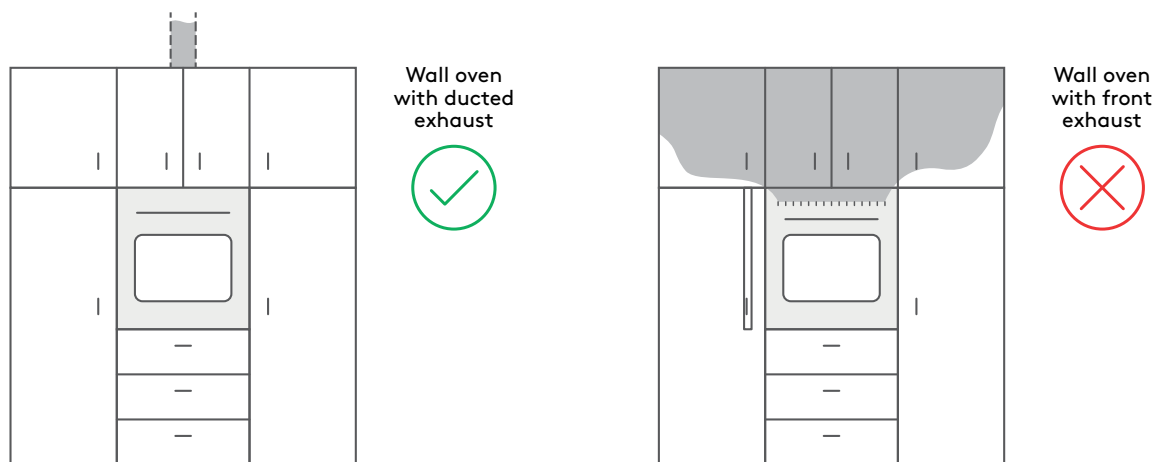


### 5.3 Oven Door and Exhaust Maintenance

Heat and fumes from open oven doors can cause irreversible damage to vinyl surfaces.

With all ovens, ensure that the oven doors are securely closed during operation to avoid heat escape.

Regularly inspect exhaust fans and filters to ensure effective operation.



## 5.4 Dishwashers

Heat and steam from dishwasher use can cause irreversible damage to vinyl surfaces.

Integrated dishwasher doors (decorative vinyl panels fixed to the dishwasher appliance) are subject to unavoidable heat and steam.

Ⓜ | Integrated dishwasher doors can be supplied but are **NOT** under warranty for any heat and steam related damage.

## 5.5 Colour Matching and Material Variation

Due to differences in material composition, FormWrap vinyl finishes will vary in colour and texture compared to Laminex Laminate or melamine panel.

Always refer to **FormWrap sample swatches** for accurate colour and finish selection.

To view the full range, visit <https://www.laminex.com.au>.



### **Visit us**

For location of your closest showroom or more information visit [laminex.com.au](https://laminex.com.au)

### **Product sample**

For a sample visit [laminex.com.au](https://laminex.com.au)

### **Call Us**

For trade enquiries **132 136**

### **Follow Us**

 [facebook.com/Laminexau](https://facebook.com/Laminexau)

 [au.pinterest.com/Laminexau](https://au.pinterest.com/Laminexau)

 [instagram.com/Laminexau](https://instagram.com/Laminexau)

 [youtube.com/Laminexau](https://youtube.com/Laminexau)

Laminex® is manufactured, marketed and distributed by Laminex Group Pty Limited ABN 98 004 093 092, trading as Laminex.

# Laminex®