

Laminex® Aluminium Framed Doors

The Laminex Aluminium Framed doors range of doors and drawers allows for either a complete fit out giving a clean, linear appearance or just a few highlight panels to add an exciting accent to any interior. This range includes a selection of frame styles and insert options to provide the widest offering of premium doors and drawers with strength and elegance.

PRODUCT OPTIONS

Made to exacting standards, Laminex® Aluminium Framed doors are a premium product that features high tolerance precision mitred joints and superb finish quality, with a wide range of contemporary insert options. Laminex Aluminium Framed Doors are available in a wide selection of contemporary **frame styles**:

- **Fineline** – a sleek, discreet aluminium frame style to provide a minimal look that delivers simplicity together with strength. Works together perfectly with all insert options, with the exception of Clear Glass inserts.
- **Fineline Access** – the Fineline aluminium frame with an easy access handle built in to provide a robust handle-free alternative for all types of cabinet door applications, including the popular lift-up overhead doors.
- **Pureline** – a frame option with a slightly more visible face frame for a stronger look. Designed to work with all Glass and Metaline insert options to stunning effect.
- **Pureline Access** – the Pureline aluminium frame with an easy access handle built in. This gives a handle-free door option that delivers strength and style in both looks and functionality.
- **Squareline** – a contemporary tubular style frame suited to a range of door applications. Takes all Glass and Metaline inserts for a clean, sharp look.



- **Boldline** – substantial and bold, this style features a broad frame face for maximum impact. Enhanced strength for larger doors and drawer fronts. Works with all Glass and Metaline inserts.
- **Softline** – elegant with loads of impact, the frame has a broad face with a soft gentle arc. Enhanced strength for larger doors and drawer fronts. Works with all Glass and Metaline inserts.
- **Integra Handle** – a simple yet attractive pull handle that can be integrated with any frame style. Avoids the need to drill the handle holes within the inserts, which is especially useful with glass inserts.

Laminex Aluminium Framed doors are available in either Natural Aluminium or Bronzed Aluminium colour options.

This range of frames is complemented with the following collection of stunning **insert options** (see the Frame and Insert Selection Guide):

- **Lamiwood** – select any colour from the Nationally stocked range of Lamiwood to use as attractive inserts for Fineline frame option.
- **Silk Finish** – as the durable Gloss option, Silk finish Lamiwood will provide stylish insert options that stand the test of time for Fineline frame option.
- **CrystalGloss Surfaces** – available in

all Clear and Metallic options.

CrystalGloss delivers the refined look of a high lusted finish in Laminex solid colours, patterns and woodgrains, together with a rich palette of metallic tones. These inserts are suitable for Fineline frame option.

- **Finished Designer Timber Veneer (FDTV)** – a range of pre-finished textured re-constituted timber veneers that give the feel and warmth of timber grain. These deliver style and elegance when teamed with the Fineline frames for which these inserts are suited.
- **Standard Glass*** – a range of laminated glass inserts in Clear, Translucent and White finishes together with a Mirror glass option. Clear glass is available in all frame styles except Fineline and Fineline Access, while all other glass insert options are available in all frame styles.
- **Coloured Glass*** – the look of selected popular Laminex solid colours in a deep glazed finish. Adds a new dimension for these Laminex colours when teamed with any of the frame style options.
- **Rippled Glass*** – a striking glass insert option where the combination of ripple illusion and engaging metallic tones make for the latest in premium doors and drawer fronts. Can be used as inserts with any of the frame style options.

- **Metaline** – complement the look of sophisticated Metaline splashbacks by including this stunning finish as an insert within any of the frame style options available.

+ All Glass insert options (with the exception of Mirrored Glass) are deemed to satisfy the requirements of AS/NZS 2208-1996 - "Safety Glazing Materials in Buildings", when tested for Grade A Safety Glazing Materials by way of the Impact Test.

APPLICATIONS

Laminex Aluminium Framed doors are suitable for use in all areas of high humidity, such as kitchen cabinet doors and drawers, bathroom vanities, laundry cabinets, shelving, wall panelling and a range domestic and commercial furniture and fitout applications.

TECHNICAL DIMENSIONS

Due to the aluminium frame Laminex Aluminium Framed doors and drawers have a nominal thickness of 21mm.

Solid Inserts

Fineline aluminium framed doors with solid inserts (Lamiwood, Silk Finish, CrystalGloss Surfaces or Finished Designed Timber Veneer) are made to measure with the following minimum and maximum sizes:

	Vertical Grain	
	Doors	Drawers
Min. Height (mm)	120	120
Max. Height (mm)	2400	2400
Min. Width (mm)	120	120
Max. Width (mm)	800	1180

Note: Metaline inserts within Fineline frames have the same tolerances as per above table.

	Horizontal Grain	
	Doors	Drawers
Min. Height (mm)	120	120
Max. Height (mm)	1180	1180
Min. Width (mm)	120	120
Max. Width (mm)	800	1180

Due to the aluminium frame, Laminex Aluminium Framed doors (solid):

- Are made to measure
- Are always predrilled for hinges
- Are NOT drilled for handles
- Have a minimum handle hole drilling distance of 70mm c/c from the corner of the door (in each direction). Please check rail width prior to drilling handle holes
- CANNOT be scribed

Please note that all panels in contact with the walls or floor (such as end panels) MUST be ordered as an edged panel.

All Glass and Metaline Inserts

Laminex Aluminium Framed doors with Standard Glass, Coloured Glass and Metaline insert types are made to measure with the following minimum and maximum sizes:

	Fineline	
	Doors	Drawers
Min. Height (mm)	120	120
Max. Height (mm)	1500	1200
Min. Width (mm)	120	120
Max. Width (mm)	800	1180

	All other frame styles	
	Doors	Drawers
Min. Height (mm)	120	120
Max. Height (mm)*	2400	1200
Min. Width (mm)	120	120
Max. Width (mm)	800	1180

*Note: Maximum height for White Glass insert is 2100 mm

Laminex Aluminium Framed doors with Rippled Glass inserts are made to measure with the following minimum and maximum sizes:

	Rippled Glass Inserts	
	Doors and Drawers	
Min. Height (mm)	120	
Max. Height (mm)	1200	
Min. Width (mm)	120	
Max. Width (mm)	1180	

Due to the aluminium frame, Laminex Aluminium Framed doors (glass):

- Have a nominal thickness of 21mm
- Are always predrilled for hinges
- Are predrilled for handles for those frames requiring handles (predrilled handle holes come with plastic grommets to insure the handle base does not directly contact the glass. Grommets MUST be used when fitting handles and handles not overtightened)
- Have a minimum handle hole drilling distance of 70mm c/c from the corner of the door (in each direction) at a standard of 35mm in from the edge of the door.

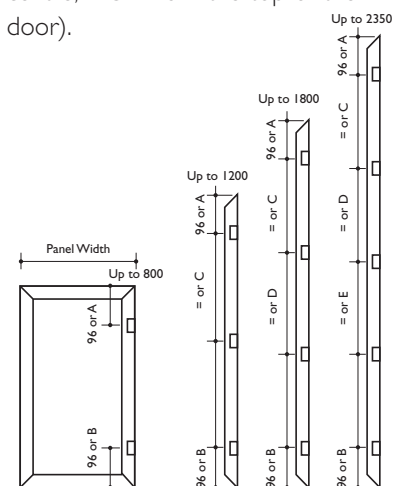
DOOR HINGES

Laminex Aluminium Framed doors (solid)

are always predrilled for hinges. The required hinge location should be noted on the order form.

Please note:

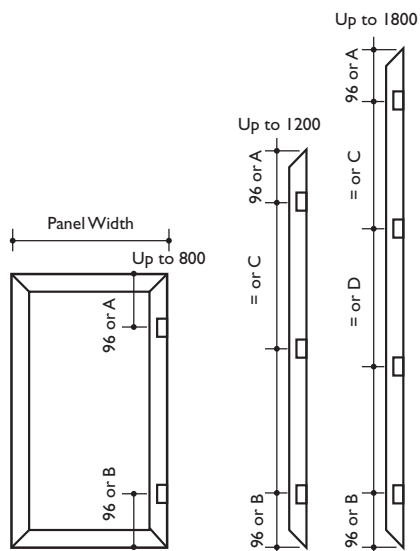
- Predrilled hinge hole options are Hettich, Blum or a 35mm cup hole
- Standard hinging centres are 96mm c/c from the top and bottom of the door
- Minimum hinging centres are 86mm c/c from the top and bottom of the door
- Non-standard and offset hinging locations are to be specified on the order form
- Doors NOT to be hinged are to be specified on the order form
- Refer to the hinging diagram on the top right for doors over 800mm in height. (Please note that dimensions C, D and E are hinge centre to hinge centre, NOT from the top of the door).



Laminex Aluminium Framed doors (glass) are always predrilled for hinges. The required hinge location should be noted on the order form.

Please note:

- Predrilled hinge holes options are Hettich, Blum or a 35mm cup hole
- Standard hinging centres are 96mm c/c from the top and bottom of the door
- Minimum hinging centres are 86mm c/c from the top and bottom of the door
- Non-standard and offset hinging locations are to be specified on the order form diagrams
- Refer to the hinging diagram below for doors over 800mm in height



INTEGRATED HANDLE - INTEGRA

Laminex Aluminium Framed doors offer the option of an integrated handle called the Integra handle. This can be factory fitted to any of the frame styles. Simply select this option within the order form when placing the order. Please note that the Integra handle can be located no closer than 55mm from the corner of the door frame.

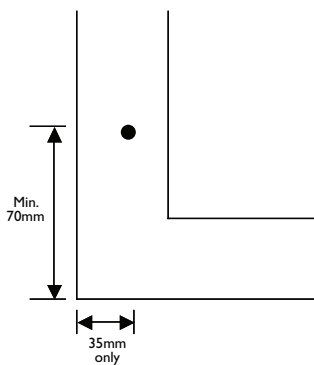
HANDLE HOLE SPECIFICATION

Laminex Aluminium Framed doors (glass) in frame styles requiring externally applied handles must be predrilled for handle holes. Handle hole centres are to be noted using the diagrams on the order form.

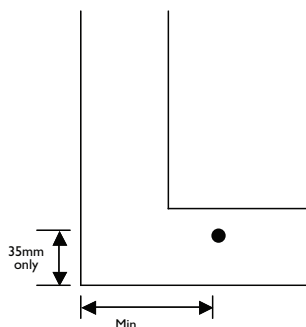
Please note:

- Handle hole(s) may ONLY be positioned in the aluminium frame
- Handle hole position must be indicated on the order form diagrams using a dot (•)
- For D-handles, hole centres must be indicated under each separate diagram on the order form
- Handle hole radius is 9mm with a grommet to fit the handle screw
- Handle base MUST be a minimum of 10mm in diameter
- Predrilled handle holes come with plastic grommets to insure that the handle base does not directly contact the glass. Grommets MUST be used when fitting handles and the handles not overtightened

	Vertical Handle	Horizontal Handle
Distance from vertical edge	35mm only	Minimum 70mm
Distance from horizontal edge	Minimum 70mm	35mm only



Vertical Handle



Horizontal Handle

DRAWERS

Drawers in Laminex Aluminium Framed doors are to be ordered as per the order form instructions.

Please note:

- All drawer fronts in Laminex Aluminium Framed doors require pilot holes to enable screwing brackets into the aluminium frame (templates are available from your hardware distributors)
- Corner drawers are not available in these products

HORIZONTAL DOORS

Laminex can supply a quality lift stay and/or gas strut to suit the Laminex Aluminium Framed door profiles. Laminex recommends the use of 2 lift stays or 2 gas struts on all horizontal doors. Please contact your Laminex representative for details.

DIMENSIONAL STABILITY OF DOORS AND DRAWERS

Unlike some other products, the aluminium frame is not just a trim. Laminex Aluminium Framed door frames have inherent structural integrity with hidden steel angles locking each mitre joint – they do not rely on the insert panel or glass for their strength. This feature ensures that each panel's dimensions are not affected by changes in relative humidity. In fact, Laminex Aluminium Framed doors are uniquely designed to allow the inserts to “float” within the frame and naturally move with changes in humidity without the dimension of the overall panel changing.

Hardware required for mounting Laminex Aluminium Framed doors (contact your hardware supplier for preferred drawer system). Refer to the chart below.

Brand	Type	Bracket Codes	Screw Codes
Hettich	Innotech	077910 (screw on version)	3.5mm 25mm
Hettich	Multitech	054997 (screw on version)	3.5mm 12mm
Blum	Tandum Box	ZSF3502 (screw on version)	3.5mm 16mm
Blum	Meta Box	ZSF1700L or ZSF1700R (screw on version)	3.5mm 12mm

*All screws are self-drilling pan head metal screws

RESISTANCE TO WEAR

When tested to AS/NZS 2924.1:1998

Resistance to Surface Wear, Laminex Aluminium Framed doors inserts achieved the following results:

Lamiwood and Silk Finish Solid Colors

Typical results 500 cycles.

Lamiwood and Silk Finish Patterns and Woodgrains

Typical results 125 cycles.

CrystalGloss Clear

Typical results 800 cycles.

CrystalGloss Metallic

Typical results 200 cycles.

Finished Designed Timber Veneer

Typical results 1150 cycles.

Metaline

Typical results 150 cycles.

FIRE TESTS

Cone Calorimeter Test: when tested to AS/NZS 3837:1998, Lamiwood and Finished Designed Timber Veneer inserts achieved the following results:

Lamiwood		
BCA Classification	Result	Unit/Range
Group Number	3	1-3
Average Specific Extinction Area	64.7	m ² / kg

Finished Designed Timber Veneer		
BCA Classification	Result	Unit/Range
Group Number	3	1-3
Average Specific Extinction Area	9.6	m ² / kg

CARE AND MAINTENANCE

Lamiwood and Silk Finish

Refer to Appendix 3, General Care

Laminex CrystalGloss

Laminex CrystalGloss surfaces are durable materials for vertical applications, but like all materials can be damaged if used without some care and maintenance.

The following information should help in assisting you maintain the surface of your CrystalGloss surfaces product with the minimum of time and effort.

Cleaning –

- Do wipe off all food and drink spills immediately.
 - Do use warm soapy water for general cleaning together with a soft fibre cloth.
 - Greasy marks can be removed with a soft fibre cloth dampened with mineral turpentine.
 - Do use a mild streak-free glass cleaner together with a soft fibre cloth to remove surface streaks in line with the manufacturers recommendations for these cleaning products.
 - Do Not dry wipe at any time. Spillages should be cleaned with a damp soft fibre cloth immediately.
 - Do Not ever use abrasive cleaners, pads or powders.
 - Do Not use harsh or aggressive cleaning agents such as Bleach, Acetone, Thinners or Methylated spirits.
- #### Polishing –
- High gloss finish can be maintained using Mirotone Sprayglow Furniture polish
 - Minor scratches or scuffing can be

removed by hand using soft micro fibre cloths and non silicone liquid polishes such as 3M Finesse.

- Moderate scratches can be removed using 3000 grit wet and dry paper followed by buffing with 3M Perfect It Extra Cut and 3M Finesse final polish.

Warning: When cleaning, take care not to rub excessively. This may cause an area of uneven shine or mar on the area.

Finished Designed Timber Veneer

Finished Designed Timber Veneer insert has good colour retention and dimensional stability in normal interior applications. However, prolonged exposure to sunlight may cause shrinkage and/or some change in colour. Therefore, a change of the surface colour and appearance over time is a natural characteristic, not a defect. Additionally, heat and humidity will interact with light to accelerate the ageing process. Water will stain face veneers if allowed to 'pool' on the surface.

Glass Inserts

- Only use a soft, slightly damp cloth with soapy water.
- Cleaning agents: Always read the label prior to use. Do not spray directly onto the surface, spray onto the damp cloth and use the cloth to wipe the glass door.
- Methodology applies to both the front and back of the door.