

# LAMINEX® PARTITIONING SYSTEMS



Laminex®  
Inspire your space

Discover Laminex® Partitioning Systems and learn how effortless toilet and shower partitioning can really be. Four different systems cover all applications, from the office washrooms to the industrial shower, and everything in between. And with the addition of Seating and Locker Systems, Laminex has all the bases covered for a truly comprehensive and integrated solution. You also get more flexibility and style from the Laminex Colour Palette and Laminex Innovations® with an impressive range of colours and designs to ensure every project looks its absolute best. Even better, Laminex XR Grade offers greater levels of moisture, wear and chemical resistance for the toughest environments. Laminex Partitioning Systems can also be disassembled and relocated to improve sustainability and cost efficiency.



Toilets  
Interior  
Dry Areas



Disabled  
Toilet



Showers  
Interior  
Wet Areas



Graffiti  
Resistant



Enhanced  
Chemical  
Resistance



**Laminex Structural Partitioning Systems** are designed for high performance and durability. They're made of decorated Laminex Structural MR (moisture resistant) board, which is factory laminated on both sides. A modified substrate and laminating process with the decorative melamine surface provides superior impact resistance together with enhanced wear and abrasion properties. And being an economical solution, they're recommended for low-abuse dry areas such as toilet blocks. They're easy to clean, extremely resilient, and available with standard foot assemblies (as shown) or floor mounted. However, these are unsuitable for areas that are hosed clean.

PANELS	18mm decorated Laminex Structural MR
EDGE TREATMENT	2mm ABS
APPLICATIONS	Offices, hotels and restaurants, shopping centres, educational centres (i.e. schools and universities)



Laminex Structural Partitioning Systems doors in Pumice and panels in Tawny Linewood with standard foot assemblies.

\*Please obtain a copy of the Laminex Structural Partitioning Systems 7 year limited warranty from The Laminex Group or visit [laminex.com.au](http://laminex.com.au)

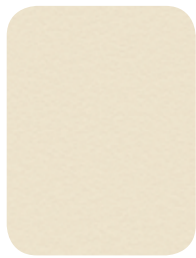
# COLOUR RANGE



Parchment  
F FD



New Antique White  
F FD



Pumice  
F



Seasoned Oak  
N



Stipple Hemp  
F



Oyster Linea  
N



Polar White  
F FD



Alaskan  
N



Husk  
N NEW



Tawny Linewood  
N



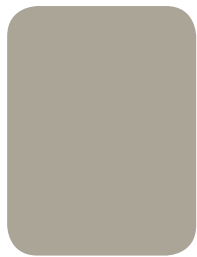
Stipple Seal  
N



Lustrous Elm  
N NEW



Platinum Micro  
F



Baye  
F NEW



Moose  
N NEW



Fossil  
F FD



Licorice Linea  
N



Nocturne Oak  
N FD



Oyster Grey  
F



Zincworks  
N



Hakata  
N NEW



New Graphite  
F



Brescia  
N NEW



Blackened Linewood  
N



Olive  
N



Mandarin  
F



Pillarbox  
N



Olympia Blue  
F



Charcoal  
F FD



Black  
F FD

FD Fast Delivery\* F Flint Finish N Natural Finish

New colours available from October 2011.

\*Colours can usually be provided in just 10 – 15 working days. Other colours shown are made to order and may require 15 – 20 working days for supply. Be sure to confirm lead times when making your order.

**EXCLUSIVE RANGE**  
ALL AVAILABLE IN FLINT FINISH



Pure Calcite



Light Wengeblock



Atmosphere



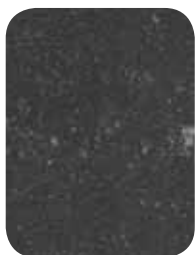
Tunisian Stone



Magma



Earthly



Shadowplay



Alexandria Stone



Endula Macassar



Dark Wengeblock





**Laminex Multipurpose Partitioning Systems** offer flexibility and resilience that make maintenance easy.

That's because they're constructed of Laminex Multipurpose Compact Laminate. This self-supporting high-pressure laminate is based on thermosetting resins and homogeneously reinforced with cellulose fibres, which are decorated on both sides with a melamine surface. This results in a product with excellent resistance to graffiti, vandalism, water, and impact.

A high-grade solution, the seamless decorative panels are suitable for use in high and low abuse areas such as toilets and showers, which can be hosed for easy cleaning. They can either be floor mounted (as shown) or supported by standard foot assemblies. Seating and Locker Systems are also available together with this range, which are ideal for a host of environments like shower and toilet facilities.

PANELS	13mm Laminex Multipurpose Compact Laminate
EDGE TREATMENT	None (oil will enhance the black edge)
APPLICATIONS	Offices and factories, hotels and restaurants, shopping centres, educational centres (i.e. schools and universities), clubs and entertainment centres, public areas (i.e. public toilets and showers), sporting and gymnasium centres, caravan parks and recreational centres



Laminex Multipurpose Partitioning Systems doors in Magma and panels in Endula Macassar with floor mounted system.

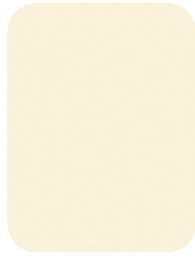
\*Please obtain a copy of the Laminex Multipurpose Partitioning Systems 10 year limited warranty from The Laminex Group or visit [laminex.com.au](http://laminex.com.au)

# COLOUR RANGE

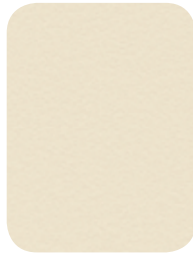
ALL AVAILABLE IN NATURAL FINISH



Parchment



New Antique White



Pumice



Seasoned Oak



Stipple Hemp



Oyster Linea



Polar White



Alaskan



Husk  
**NEW**



Tawny Linewood



Stipple Seal



Lustrous Elm  
**NEW**



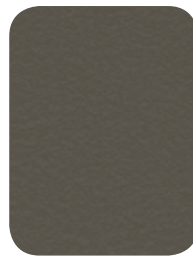
Platinum Micro



Baye  
**NEW**



Moose  
**NEW**



Fossil



Licorice Linea



Nocturne Oak



Oyster Grey



Zincworks



Hakata  
**NEW**



New Graphite



Brescia  
**NEW**



Blackened Linewood



Olive



Mandarin



Pillarbox



Olympia Blue



Charcoal



Black

## EXCLUSIVE RANGE

ALL AVAILABLE IN NATURAL FINISH



Pure Calcite



Light Wengeblock



Atmosphere



Tunisian Stone



Magma



Earthly



Shadowplay



Alexandria Stone



Endula Macassar



Dark Wengeblock



**Laminex Innovations Partitioning Systems** provide the ultimate in strength, durability, and finish. They're made from premium Laminex Innovations Compact Laminate, a self supporting high pressure laminate based on thermosetting resins, homogeneously reinforced with cellulose fibres and decorated with an Electron Beam Cured (EBC) surface on both sides. This provides a highly durable product with maximum resistance to scratches, graffiti, vandalism, and water, which offers a premium level of hygiene protection for healthcare environments. This high wear finish can also be conveniently hosed for cleaning. Their striking metallic look combined with superior durability makes them ideal for both high and low abuse areas like showers and toilet facilities. They come available with standard foot assemblies (as shown) or floor mounted, along with the option of Seating Systems and Locker Systems.

PANELS	13mm Laminex Innovations Compact Laminate
EDGE TREATMENT	None (oil will enhance the black edge)
APPLICATIONS	Offices and factories, hotels and restaurants, shopping centres, educational centres (i.e. schools and universities), clubs and entertainment centres, public areas (i.e. public toilets and showers), sporting and gymnasium centres, caravan parks and recreational centres, healthcare environments



Laminex Innovations Partitioning Systems doors in Electro Gold and panels in Electro Silver with standard foot assemblies.

\*Please obtain a copy of the Laminex Innovations Partitioning Systems 10 year limited warranty from The Laminex Group or visit [laminex.com.au](http://laminex.com.au)

## COLOUR RANGE

ALL AVAILABLE IN NATURAL FINISH



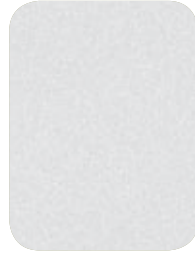
Electro Silver



Electro Gold



Electro Copper



Electro Limegold



Electro Graphite



**Laminex XR Grade Partitioning Systems** combine durability with style. They're the perfect partitioning choice for high abuse areas. Double-sided, cost-effective and easy to maintain, the self-supporting decorative panels have superior moisture, wear, and chemical resistance. Such versatility makes them ideal for a range of environments including laboratories, public toilets, hair salons, and other public amenities. Seating and Locker Systems are also available together with this range. Available with standard foot assemblies or floor mounted (as shown), they're built using Laminex XR Grade Compact Laminate, which can handle tough conditions whether its scratches and graffiti or water and general impact wear. This means easier upkeep with the ability to hose clean. They also offer superior chemical resistance and will withstand acids, alkalis, corrosive salts, and other staining substances.

PANELS	13mm Laminex XR Grade Compact Laminate
EDGE TREATMENT	None (oil will enhance the black edge)
APPLICATIONS	Offices and factories, hotels and restaurants, shopping centres, educational centres (i.e. schools and universities), clubs and entertainment centres, public areas (i.e. public toilets and showers), sporting and gymnasium centres, caravan parks and recreational centres, healthcare environments



Laminex XR Grade Partitioning Systems doors in Cosmic Grey and panels in Lunar Dust with floor mounted system.

\*Please obtain a copy of the Laminex XR Grade Partitioning Systems 10 year limited warranty from The Laminex Group or visit [laminex.com.au](http://laminex.com.au)

## COLOUR RANGE

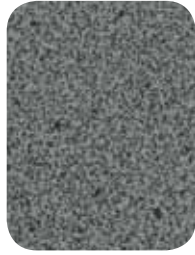
ALL AVAILABLE IN CARBIDE FINISH



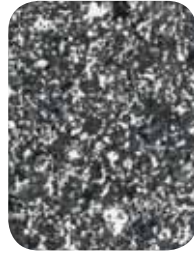
Cosmic White



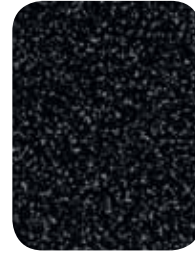
Cosmic Grey



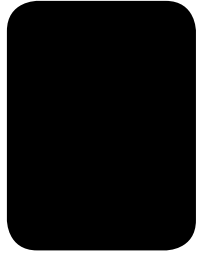
Lunar Dust



Astro



Carbon Dust



Cosmic Black

## XR GRADE MATERIAL PROPERTIES

PROPERTY OR ATTRIBUTE	UNIT	REQUIREMENT	STANDARD†
<b>PHYSICAL PROPERTIES</b>			
Specific Gravity (mimimum)	kg/m3	1350	EN ISO 1183-1
Weight 13mm Thickness	kg/m2	18.5	
<b>MECHANICAL PROPERTIES</b>			
Modulus of Elasticity	Mpa	≥ 9000	EN ISO 178
Tensile Strength	Mpa	≥ 60	EN ISO 527-2
Flexural Strength	Mpa	≥ 80	EN ISO 178
Craze Resistance	Rating	Pass	AS/NZS 2924.1
Impact Resistance	cm	Pass	AS/NZS 2924.1
Immersion in Boiling Water	-	Pass	AS/NZS 2924.1
Scratch Resistance <sup>#</sup>	N	Pass	AS/NZS 2924.1
Stability at Elevated Temperature	%	Pass	AS/NZS 2924.1
Wear Resistance	Cycles	Pass	AS/NZS 2924.1
Wet Heat Resistance at 100 °C	Rating	Pass	EN 438-4
Steam Resistance	Rating	Pass	AS/NZS 2924.1
<b>THERMAL PROPERTIES</b>			
Thermal Conductivity Coefficient	W/mK	± 0.3	DIN 52612
Cigarette Burns	Rating	Pass	AS/NZS 2924.1
Dry Heat at 180 °C	Rating	Pass	AS/NZS 2924.1

†AS/NZS 2924.1: compact general - purpose standard grade (CGS material type).

<sup>#</sup>Minimum of 1 N for dark colours.

The chemicals and reagents listed below were rated for Laminex XR Grade Compact Laminate in a covered method (watch glass cover) with exposure for a period of 16 hours. The reagents listed below do not damage Laminex XR Grade Compact Laminate.

Those reagents marked with an asterisk (\*) may cause slight change in gloss or colour, depending upon the duration of exposure.

Those marked with two asterisks (\*\*) will cause severe damage. Laminex recommends prompt cleanup of all spills using water, a cloth and mild detergent. If in doubt about the suitability of a particular chemical not listed below, contact 132 136. Before committing to a particular product, we suggest you obtain samples and perform in-situ tests with chemicals most likely to be in contact with the product.

### ACIDS

Acetic Acid (Glacial), 98%  
 Chromic Acid, 10%  
 Citric Acid, 10%  
 Dichromate Cleaning Solution\*  
 Formic Acid, 90%  
 Hydrochloric Acid, 37%  
 Hydrofluoric Acid, 40%\*\*  
 Nitric Acid, 30%  
 Nitric, 65%\*\*  
 Perchloric Acid, 60%\*  
 Phosphoric Acid, 85%  
 Sulphuric Acid, 33%  
 Sulphuric Acid, 98%\*\*

### ALKALIS

Ammonium Hydroxide, 28%  
 Potassium Hydroxide, 15%  
 Sodium Hydroxide, 46%

### SALTS

Copper Sulfate, 10%  
 Ferric Chloride, 10%  
 Potassium Permanganate, 1%  
 Silver Nitrate, 1%  
 Sodium Chloride, 10%  
 Sodium Hypochlorite, 16%

### ORGANIC CHEMICALS

Formaldehyde, 10%  
 Furfural  
 Phenol, 90%\*

### SOLVENTS

Acetone  
 Dichloromethane  
 Ethyl Acetate  
 Ethyl Alcohol  
 Ethylene Glycol  
 Ethylene Glycol Mono Butyl Ether  
 Isopropanol  
 Methyl Alcohol  
 Methyl Ethyl Ketone  
 Methyl Isobutyl Ketone  
 N – Butyl Acetate  
 N – Hexane  
 Tetrahydrofuran  
 Toluene  
 Trichloroethylene  
 Xylene

### BIOLOGICAL STAIN

Carbol Fuschin, 1%\*\*  
 Crystal Violet, 0.5%  
 Gentian Violet, 1% solution  
 Hydrogen Peroxide, 3%  
 Iodine Tincture, USP, 2%\*\*  
 Malachite Green Oxalate, 1%  
 Methylene Blue, 1%  
 Methyl Orange, 0.04%  
 Methyl Red, 0.1%  
 Methyl Violet 2B, 1%  
 Sudan III  
 Wrights Stain, 1%

### MOST CONVENTIONAL CLEANING AGENTS

Resistant to most common cleaning agents. Avoid the use of highly alkaline, highly acidic or abrasive cleaning agents.

Note: Some chemical reagents will become more concentrated if allowed to evaporate on the laminate. It is therefore recommended that all spillages be washed and rinsed off the laminate as soon as possible.

## PARTITIONING SYSTEMS COMPONENTS

PANELS – Divisional, frontal and nib panels come finished to size, ready for assembly.

DOORS – Pre-drilled with concealed gravity hinges, indicator bolt, buffer and rubber tipped coat hook. Polished edge standard on Multipurpose and Innovations Partitioning Systems, with privacy strip option available as an added feature.

FOOT ASSEMBLIES (STANDARD SYSTEM) – Durable anodised aluminium, conveniently height adjustable with concealed fixings.



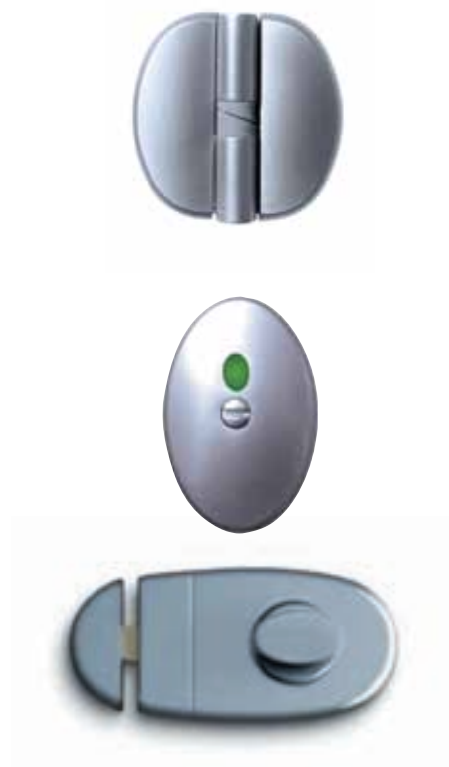
FLOOR MOUNTED SYSTEM – Durable anodised aluminium with a contemporary, decorative skirting. Can be specified without a headrail for a clean freestanding aesthetic with an overall height of 1800mm. A headrail can also be incorporated where extra rigidity is required.

HEADRAILS – Anodised aluminium channels, in sleek round profile. Mitred ends for returns. Option of no headrail when Floor Mounted System is specified.

HARDWARE – All fixing screws, hinges, bolts, locking mechanisms and indicators are provided and separately packaged.

INSTRUCTIONS – Every Partitioning System includes complete and detailed instructions and relevant limited warranty.

TOOL KIT – Allen key, screw driver bit, drill bits and silicone all included.





**Laminex Seating Systems** are as tough as they are functional. Versatile enough to suit almost any floor plan, they can endure harsh treatment from athletes to school children. Aesthetically designed and constructed their inherent strength combined with a clever design makes them the perfect seating solution for a wide variety of locations.

Whether it's a change room, washroom, or simply a wet area, Laminex has the seating to suit. There are three robust and versatile styles available: wall mounted (as shown), island seating, and integrated locker seating. Built using Multipurpose, Innovations, or XR Grade Compact Laminate on sturdy aluminium frames, they can withstand commercial cleaning or even hosing out. There's a wide range of colours to choose from, which integrate seamlessly with Laminex, Multipurpose, Innovations, or XR Grade Partitioning Systems ranges. So whatever your requirements, Laminex Seating Systems are guaranteed to add value.

PANELS	13mm Laminex Multipurpose, Innovations and XR Grade Compact Laminate
EDGE TREATMENT	None (oil will enhance the black edge)
APPLICATIONS	Locker areas and change rooms in sporting and gymnasium centres, educational centres (i.e. schools and universities), public transport and public space such as shopping centres.



Laminex Wall Mounted Seating System in Tawny Linewood.

\*Please obtain a copy of the Laminex Seating Systems 10 year limited warranty from The Laminex Group or visit [laminex.com.au](http://laminex.com.au)



**Laminex Locker Systems** offer stylish, robust storage solutions. Available in three contemporary designs, they stand up to punishment from athletes and school children. Each locker can withstand tough treatment like harsh commercial cleaning, including hosing out. Outer panels and doors are made with Multipurpose, Innovations, or XR Grade Compact Laminate while interior shelves and divisionals are available in wet and dry area options. Dry area options use durable and economical Whiteboard MR shelves and divisional panels. Wet area options feature rigid plastic shelves and divisional panels with enhanced moisture resistance. Their construction and materials provide better security and aesthetics in locations like schools or public transport areas, thriving in damp and humid environments like gymnasiums or sports clubs. A wide range of colours complement the Laminex Partitioning Systems range, ensuring you'll feel secure that you've made the right choice.

PANELS	13mm Laminex Multipurpose, Innovations and XR Grade Compact Laminate
EDGE TREATMENT	None (oil will enhance the black edge)
APPLICATIONS	Locker areas and change rooms in sporting and gymnasium centres, educational centres (i.e. schools and universities), mining sites and aquatic centres.



Laminex Locker Systems in Tawny Linewood and Blackened Linewood.

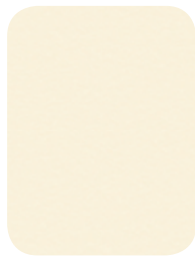
\*Please obtain a copy of the Laminex Locker Systems 10 year limited warranty from The Laminex Group or visit [laminex.com.au](http://laminex.com.au)

# COLOUR RANGE MULTIPURPOSE

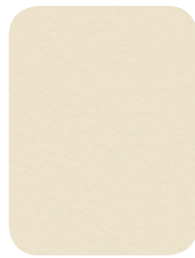
ALL AVAILABLE IN NATURAL FINISH



Parchment



New Antique White



Pumice



Seasoned Oak



Stipple Hemp



Oyster Linea



Polar White



Alaskan



Husk  
**NEW**



Tawny Linewood



Stipple Seal



Lustrous Elm  
**NEW**



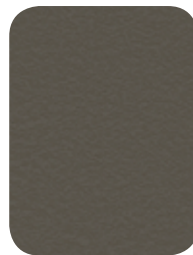
Platinum Micro



Baye  
**NEW**



Moose  
**NEW**



Fossil



Licorice Linea



Nocturne Oak



Oyster Grey



Zinc Works



Hakata  
**NEW**



New Graphite



Brescia  
**NEW**



Blackened Linewood



Olive



Mandarin



Pillarbox



Olympia Blue



Charcoal



Black

New colours available from October 2011.

\*Colours can usually be provided in just 10 – 15 working days. Other colours shown are made to order and may require 15 – 20 working days for supply. Be sure to confirm lead times when making your order.

## EXCLUSIVE RANGE MULTIPURPOSE

ALL AVAILABLE IN NATURAL FINISH



Pure Calcite



Light Wengeblock



Atmosphere



Tunisian Stone



Magma



Earthly



Shadowplay



Alexandria Stone



Endula Macassar



Dark Wengeblock

## COLOUR RANGE INNOVATIONS

ALL AVAILABLE IN NATURAL FINISH



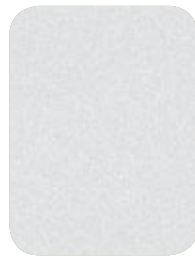
Electro Silver



Electro Gold



Electro Copper



Electro Limegold



Electro Graphite

## COLOUR RANGE XR GRADE

ALL AVAILABLE IN CARBIDE FINISH



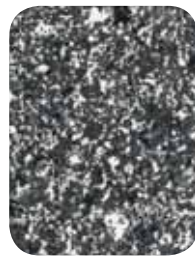
Cosmic White



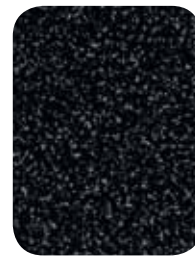
Cosmic Grey



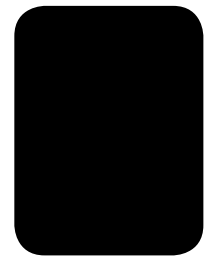
Lunar Dust



Astro



Carbon Dust



Cosmic Black

## PRODUCT SPECIFICATIONS

Laminex Partitioning Systems can contribute towards maximising points for Green Star projects. Refer to the Green Building Council Australia Green Star rating tool within the Office Interiors Materials category for Walls and Partitions.

SIZE	DIMENSIONS	FIXING	HARDWARE INCLUDED	NOTES
DIVISIONAL PANELS	Toilet divisional panel 1700mm H x 1500mm W Shower divisional panel 1700mm H x 1800mm W Spaced at 900mm centres Mounted 170mm to 195mm off floor	Aluminium channels to rear wall and frontal panels	Stainless steel screws	4mm gap between panel and aluminium channel for expansion
FRONTAL PANELS	1800mm H x 300mm W (200mm min.)	Aluminium channels to be fixed to divisional panel blades and supported by two single foot assemblies		
NIB PANELS	1800mm H x 150mm W (85mm min.)	Aluminium channels to be fixed to the wall and supported by single foot assembly		Allow a 1mm gap between the nib panel and the channel for expansion purposes
DOORS	1700mm H x 600mm W	Hinged to the frontal panels Edges cut square as standard	3 concealed gravity hinges, indicator bolt, buffer, rubber tipped coat hook/ door stop	Routed option available with Multipurpose and Innovations for further privacy
HEADRAILS	Rounded headrails and channels 13mm or 18mm cross section aluminium channel	To frontal panels and nibs with screws provided	Snap in inserts to enclose door openings	Supplied oversized to allow docking to suit specific measurements on site
FOOT ASSEMBLIES	Height adjustable from 170mm to 195mm Also available in 210mm to 245mm	Fixed to the floor by screws provided		Optional concealed fixing model available

Please refer to the Installation and Warranty guidelines for further information.

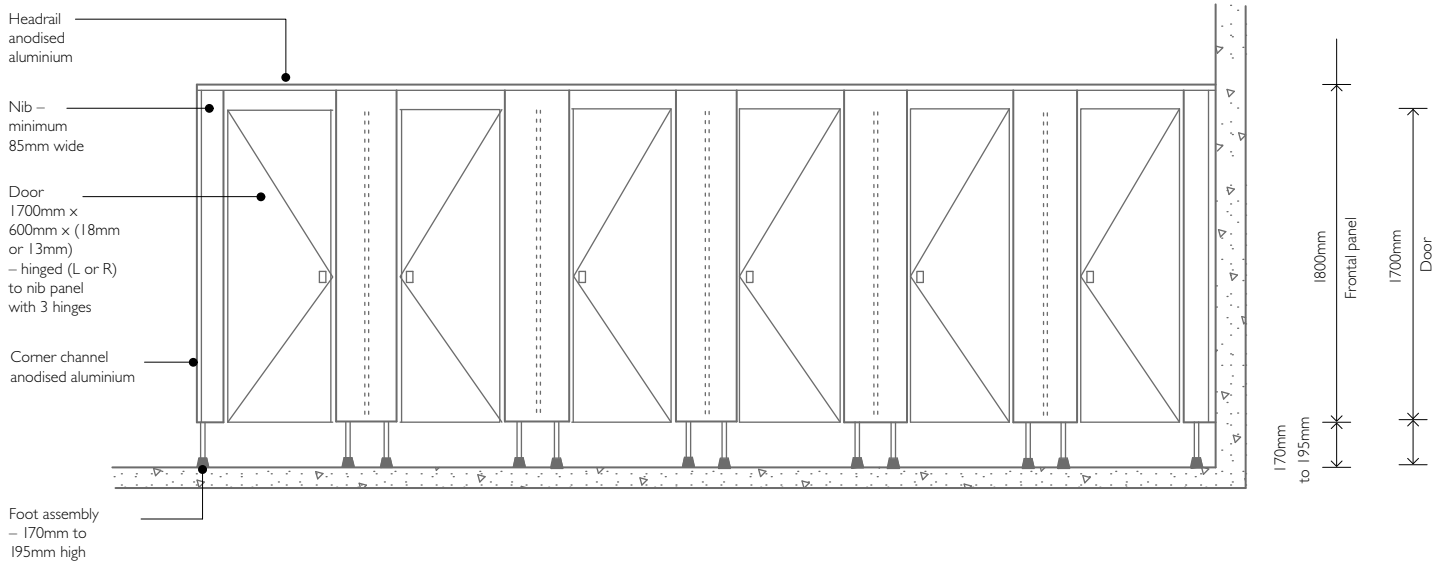
PRODUCT TYPE	DIMENSIONS	FIXING	HARDWARE INCLUDED	NOTES
SEATING SYSTEMS Available in Wall Mounted, Island or Integrated Locker Seating Systems	Height from floor 470mm Depth of seat 390mm Standard lengths: 900mm 1600mm 2300mm 3000mm	Supplied Compact Laminate wall mount bracket the same length as seat. Fix to wall, then fix rear metal bracket to wall mount bracket  On site wall fixings are not supplied as part of the seating offer	Compact Laminate wall mount bracket  2 leg sets (up to 900mm long seat) 3 leg sets (up to 1600mm long seat) 4 leg sets (up to 2300mm long seat) 5 leg sets (up to 3000mm long seat)  All legs have adjustable feet to accommodate uneven floor surfaces	If fixing to a wall with studs, locate studs for fixing of wall mounted bracket  All seats come fully assembled. Stainless steel screws used for securing tops to frames  Matching Compact Laminate coat rails with coat hooks spaced at 350mm centres are available as an optional extra
LOCKER SYSTEMS Standard Systems  Zed Style Systems	All 1800mm high  300mm or 400mm wide modular options: 1 door (1800mm) 4 Hinges 2 doors (900mm) 2 Hinges 3 doors (600mm) 2 Hinges 4 doors (450mm) 2 Hinges 5 doors (360mm) 2 Hinges 6 doors (300mm) 2 Hinges  400mm wide modular option: 2 Integrated doors at 1075mm with 3 Hinges	Modular units are bolted together side-by-side to form the desired mix of locker units  Units fitted to 50mm x 50mm factory assembled aluminium boxed base assembly that is secured to the floor  Aluminium fixing brackets supplied to fix at the top of the units back to the wall	Standard handle is the long bar grip handle/lock (as shown in images). These can be supplied with or without the numbered backing plate. Alternate locking options such as electronic options, coin operated or flexible master keying options may be available based on specific project requirements  Doors swung using nickel-plated screw fixed, shallow cup hinges fitted to surface mounting plates.  Stainless steel connecting screws to join units together  Ventilation holes and white covers to enhance air circulation  Please discuss project needs with your local representative from The Laminex Group	Units can be supplied in flatpack form for on-site assembly or delivered fully assembled. All panels are pre-drilled and supplied with all necessary fixing screws and hardware  A choice of carcass material in either Whiteboard MR for Dry Area applications, or in rigid self-supporting plastic panel board for Wet Area applications that can also be hosed out for cleaning

Please refer to the Installation and Warranty guidelines for further information.

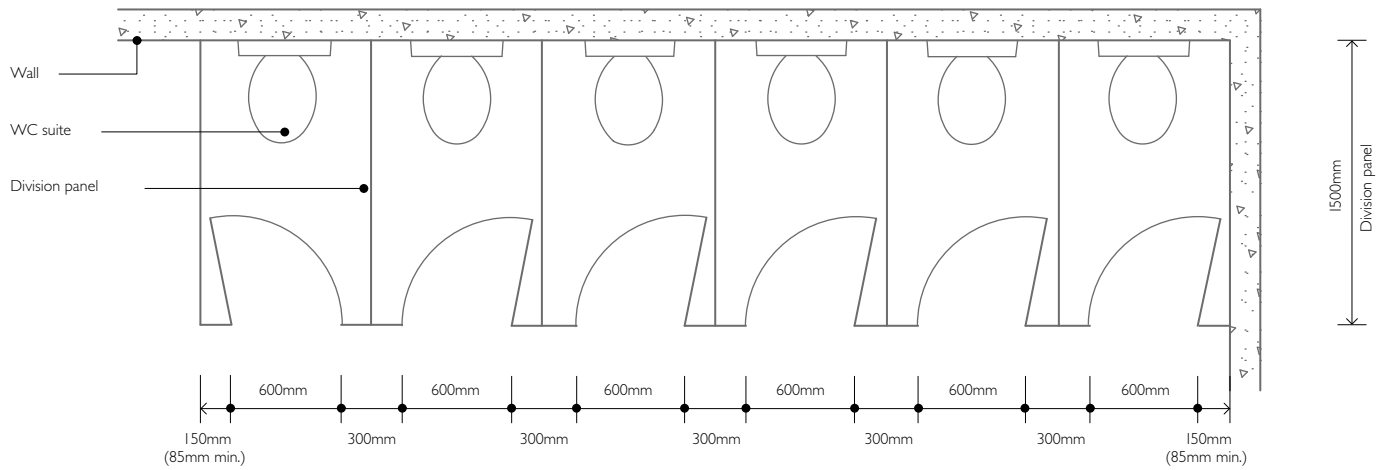
# TOILET APPLICATION

Laminex Partitioning Systems for toilets can be fabricated using any of the product choices and associated colour options. Please note that Laminex Structural Partitioning Systems are not suitable for areas that require hosing.

## ELEVATION



## PLAN

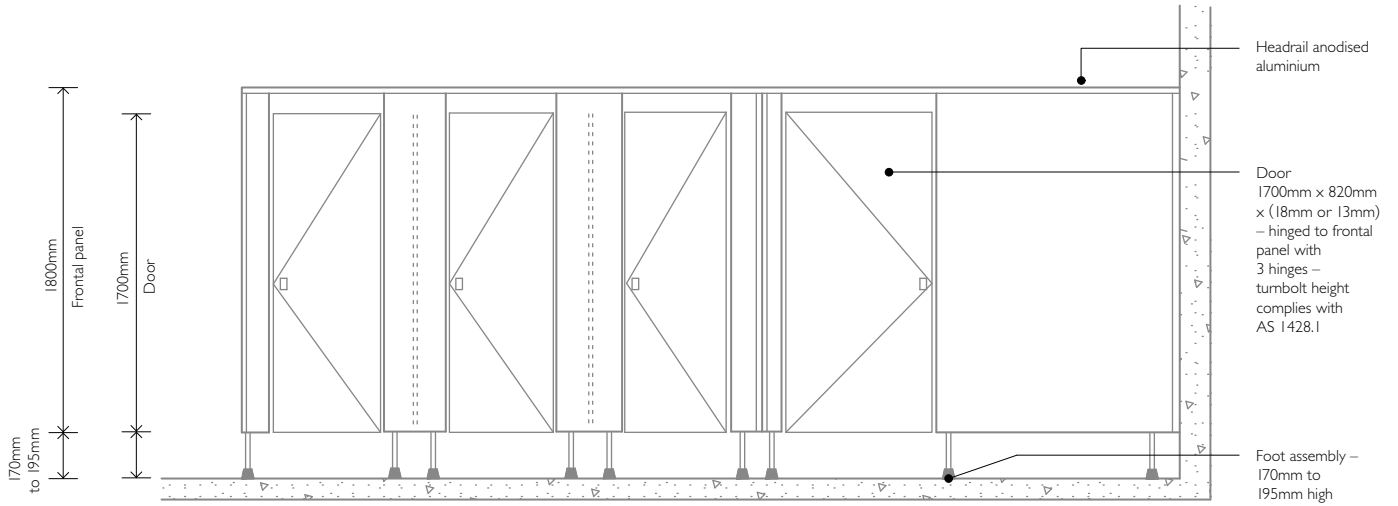


Note: Hand rails are also available to order. Please note measurements are not to scale.

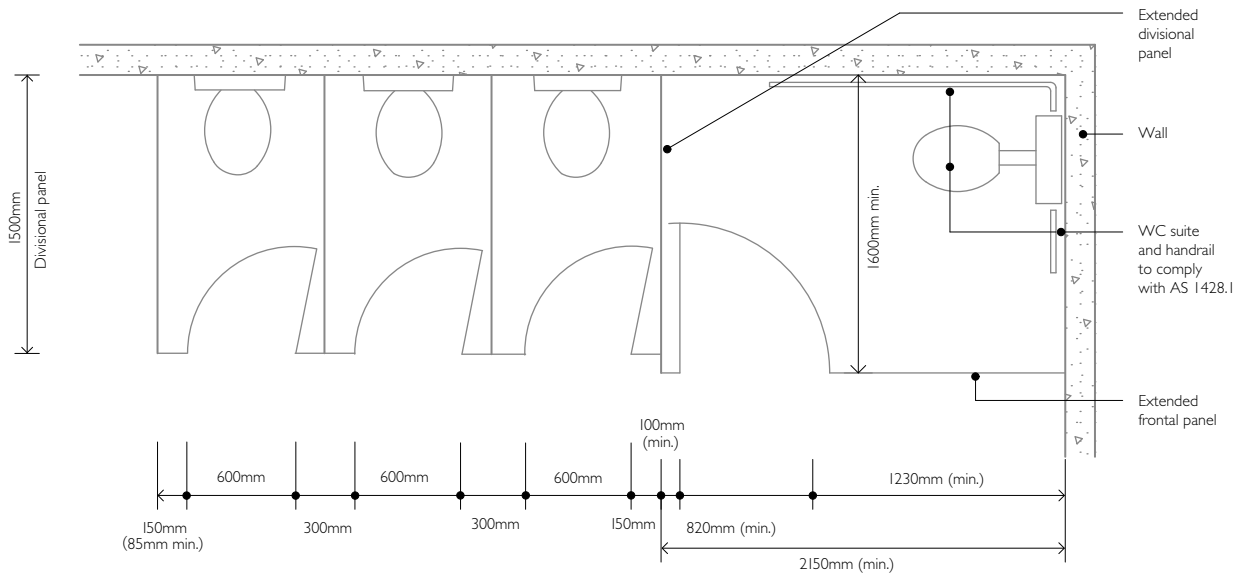
# DISABLED TOILET APPLICATION

Laminex Partitioning Systems for the disabled can be fabricated using any of the product choices and associated colour options. Please note that Laminex Structural Partitioning Systems are not suitable for areas that require hosing.

## ELEVATION



## PLAN

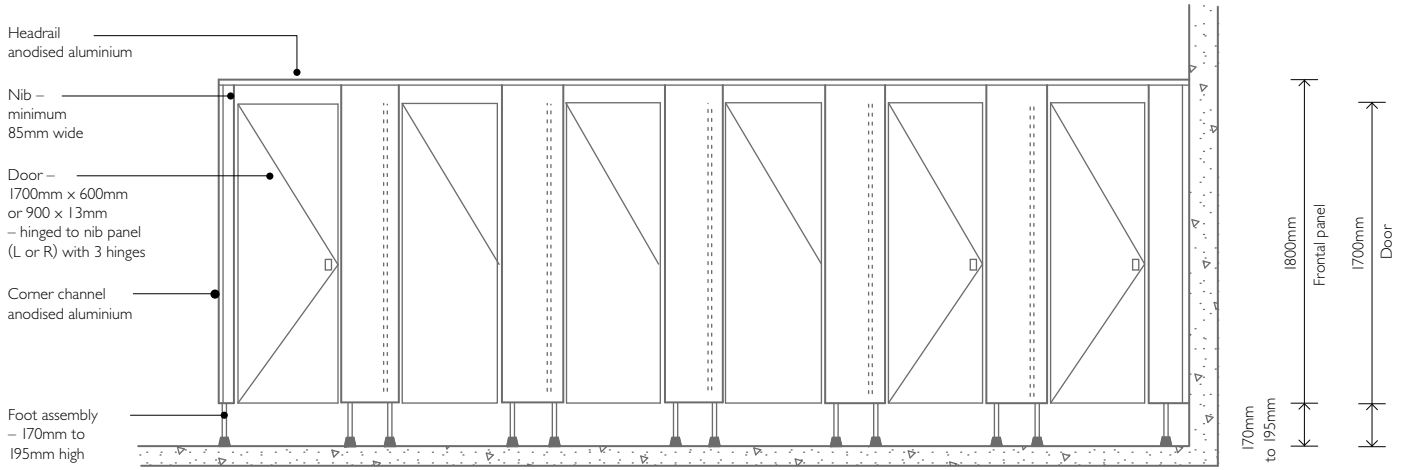


Note: Hand rails are also available to order. Please note measurements are not to scale.

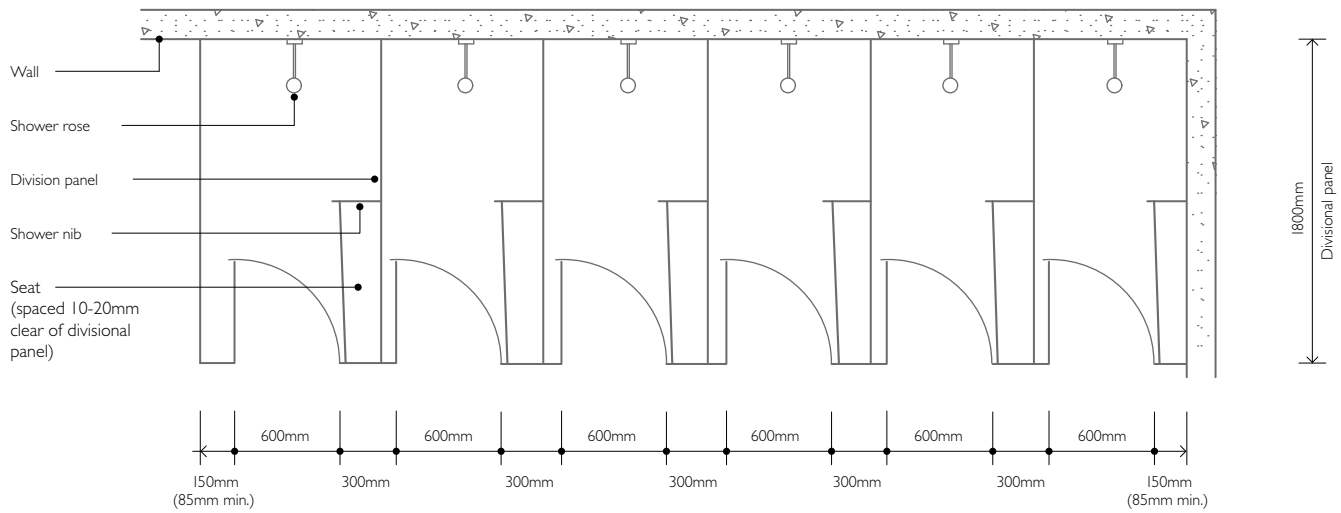
# SHOWER APPLICATION

Only Laminex Multipurpose, Innovations or XR Grade Partitioning Systems may be used.

## ELEVATION



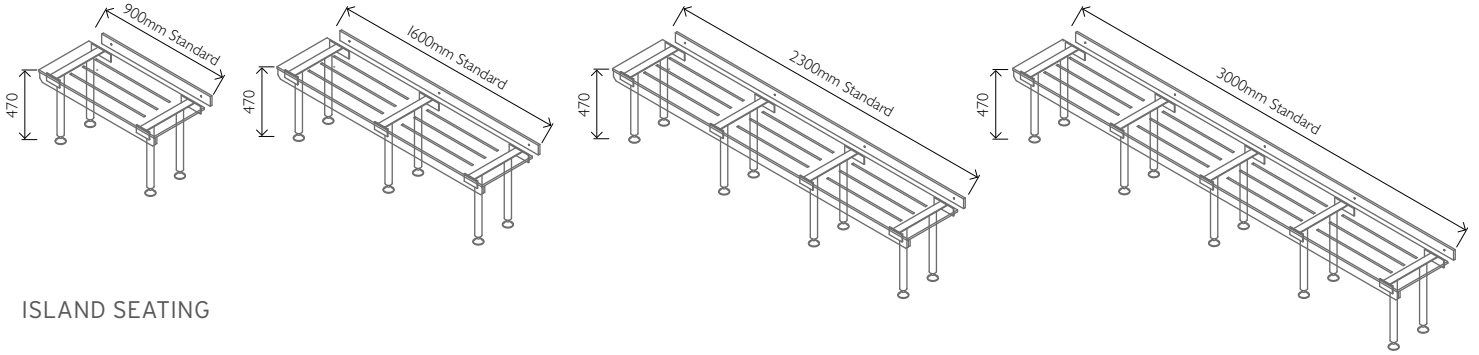
## PLAN



Please note measurements are not to scale.

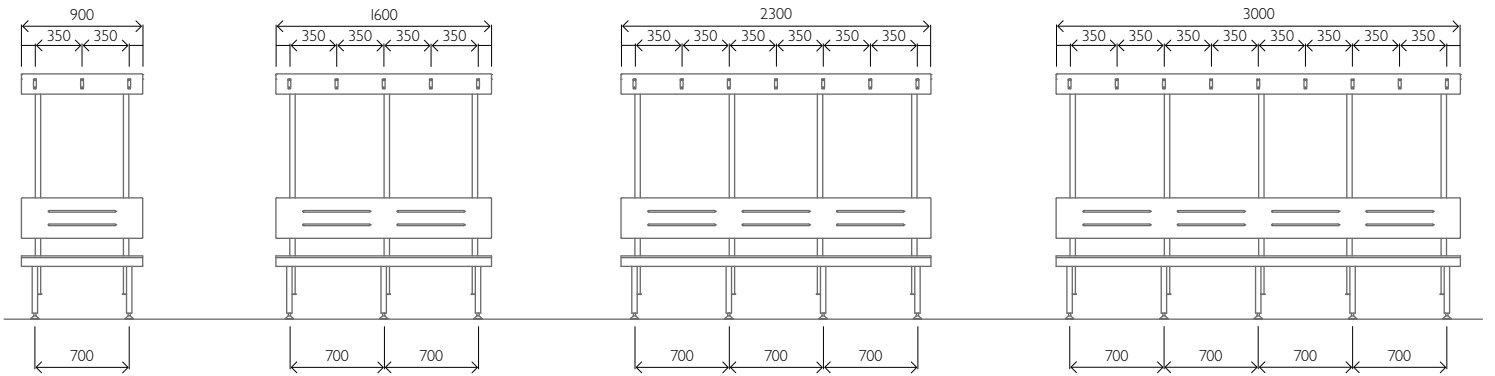
# SEATING SYSTEMS APPLICATION

## WALL MOUNTED SEATING

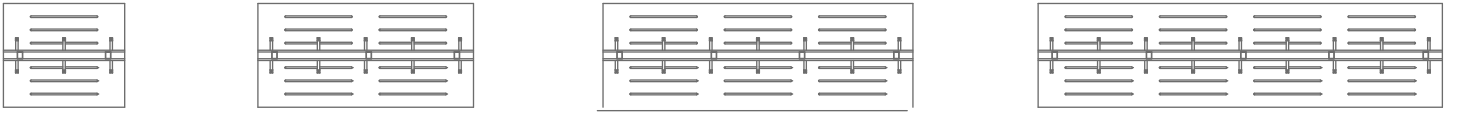


## ISLAND SEATING

### ELEVATION

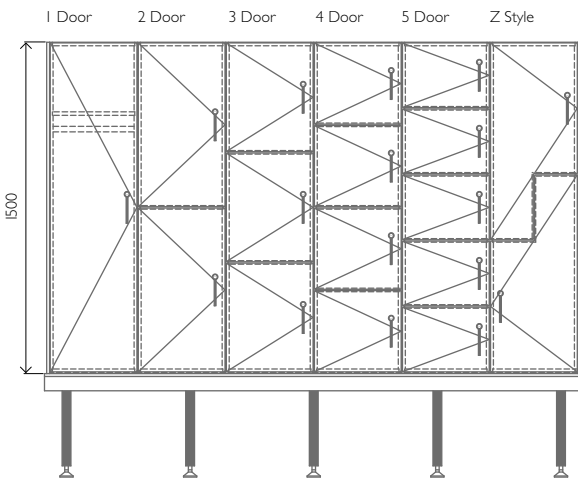


### PLAN

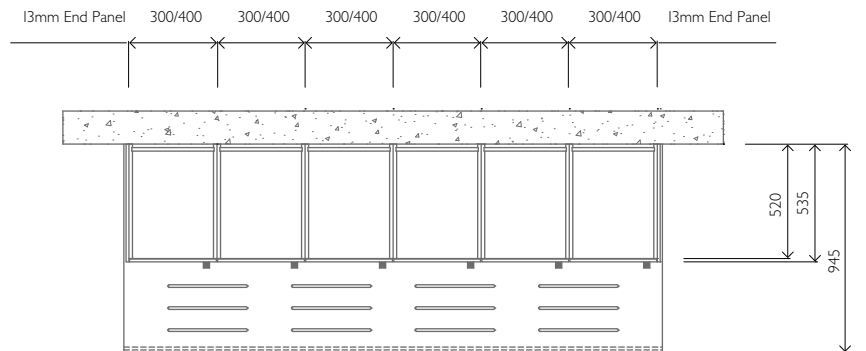


## INTEGRATED LOCKER SEATING

### ELEVATION

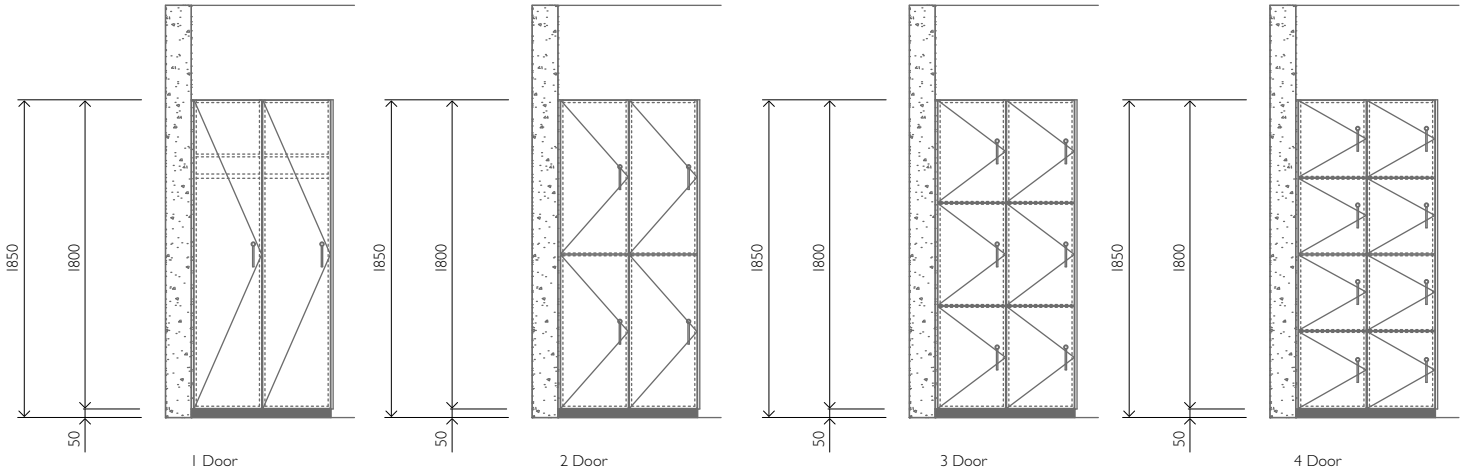


### PLAN

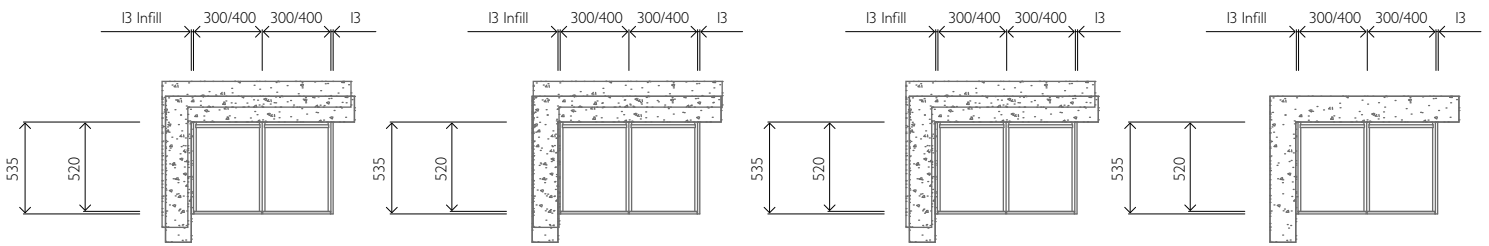


# LOCKER SYSTEMS APPLICATION

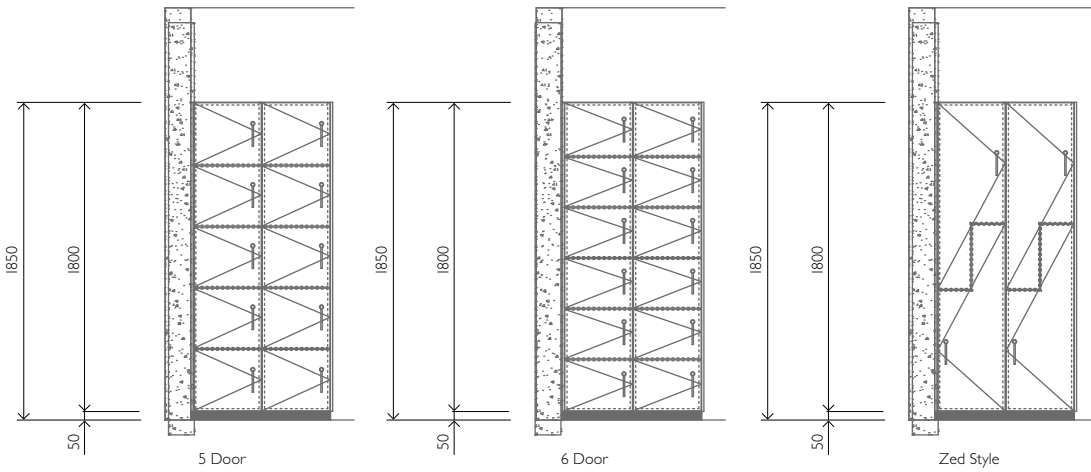
## ELEVATION



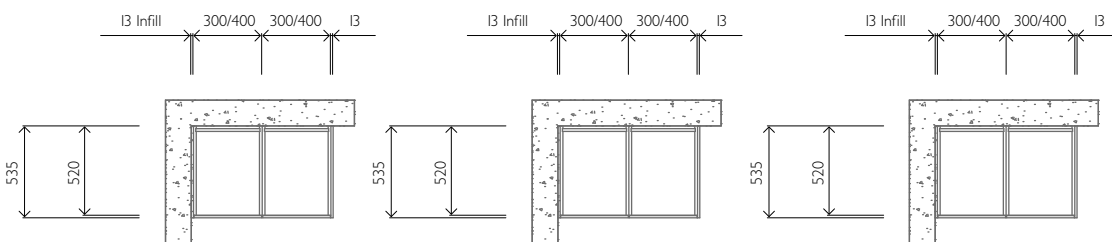
## PLAN



## ELEVATION

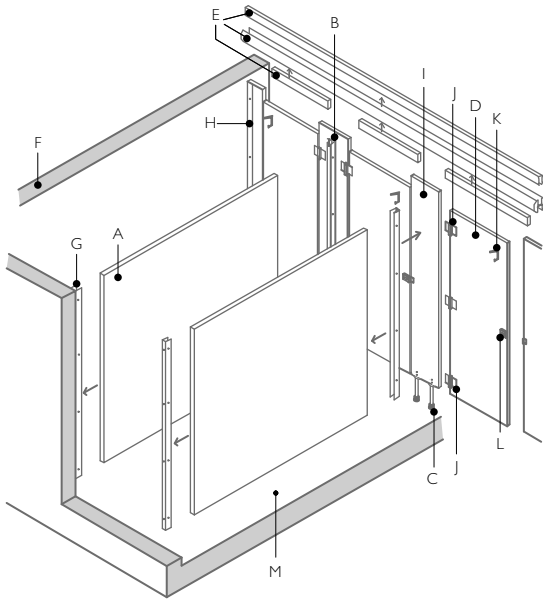


## PLAN



Please note measurements are not to scale.

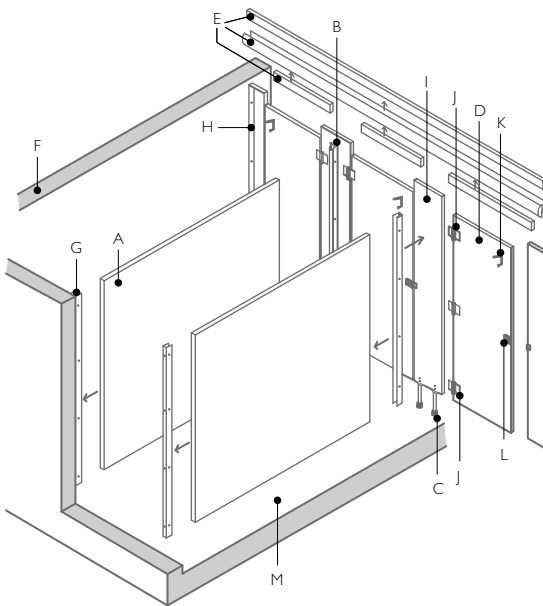
# COMPONENTS IN DETAIL



## TOILET PARTITIONS

- A Divisional panel
- B Channel fixed to frontal and divisional panels
- C Single foot assembly\*
- D Door
- E Insert channel with snap-in filler - used in top and over openings
- F Wall
- G Channel fixed to wall and panel
- H Channel
- I Frontal panel
- J Concealed gravity hinge
- K Coat hook/bumper
- L Turnbolt and Indicator
- M Floor

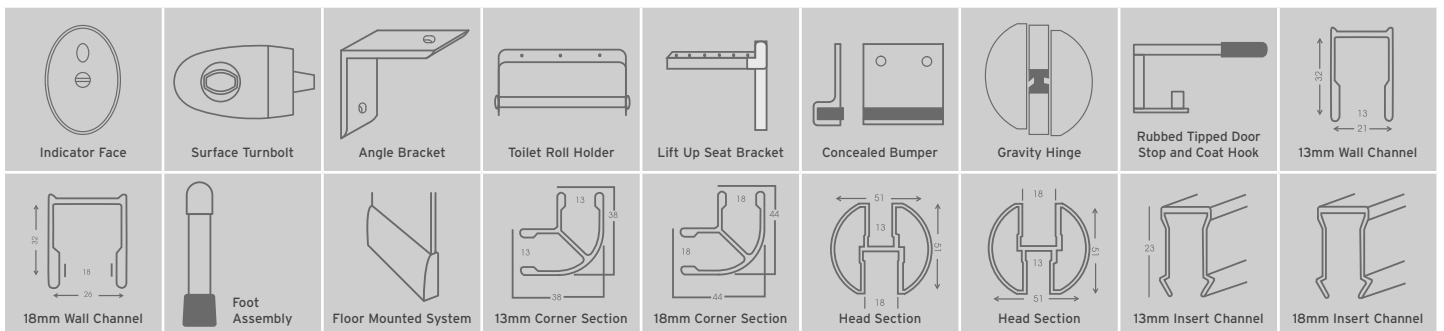
\*Floor Mounted System also available.



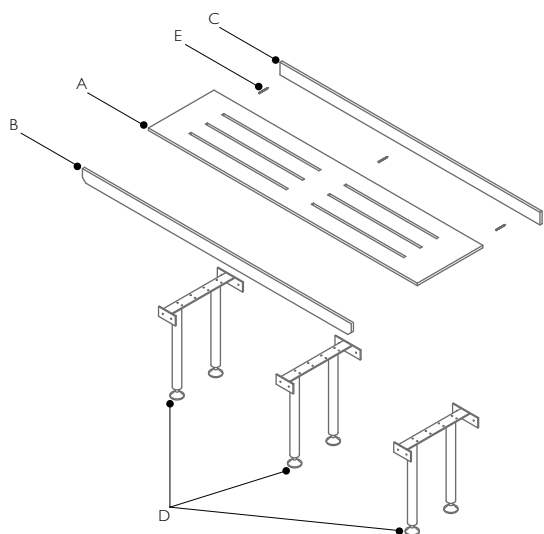
## SHOWER PARTITIONS

- A Divisional panel
- B Channel fixed to frontal and divisional panels
- C Single foot assembly\*
- D Nib
- E Insert channel with snap-in filler - used in top and over openings
- F Shower seat
- G Shower nib
- H Shower rose
- I Return panel 1800mm high
- J Frontal
- K Coat hook/bumper
- L Door
- M Bumper
- N Turnbolt and Indicator
- O Concealed gravity hinge
- P Angles
- Q Floor
- R Channel fixed to wall and panel

\*Floor Mounted System also available.

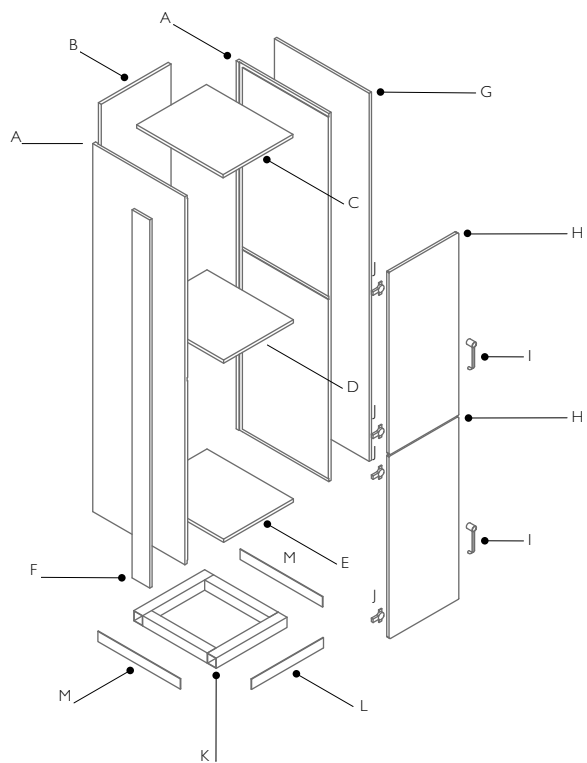


## COMPONENTS IN DETAIL



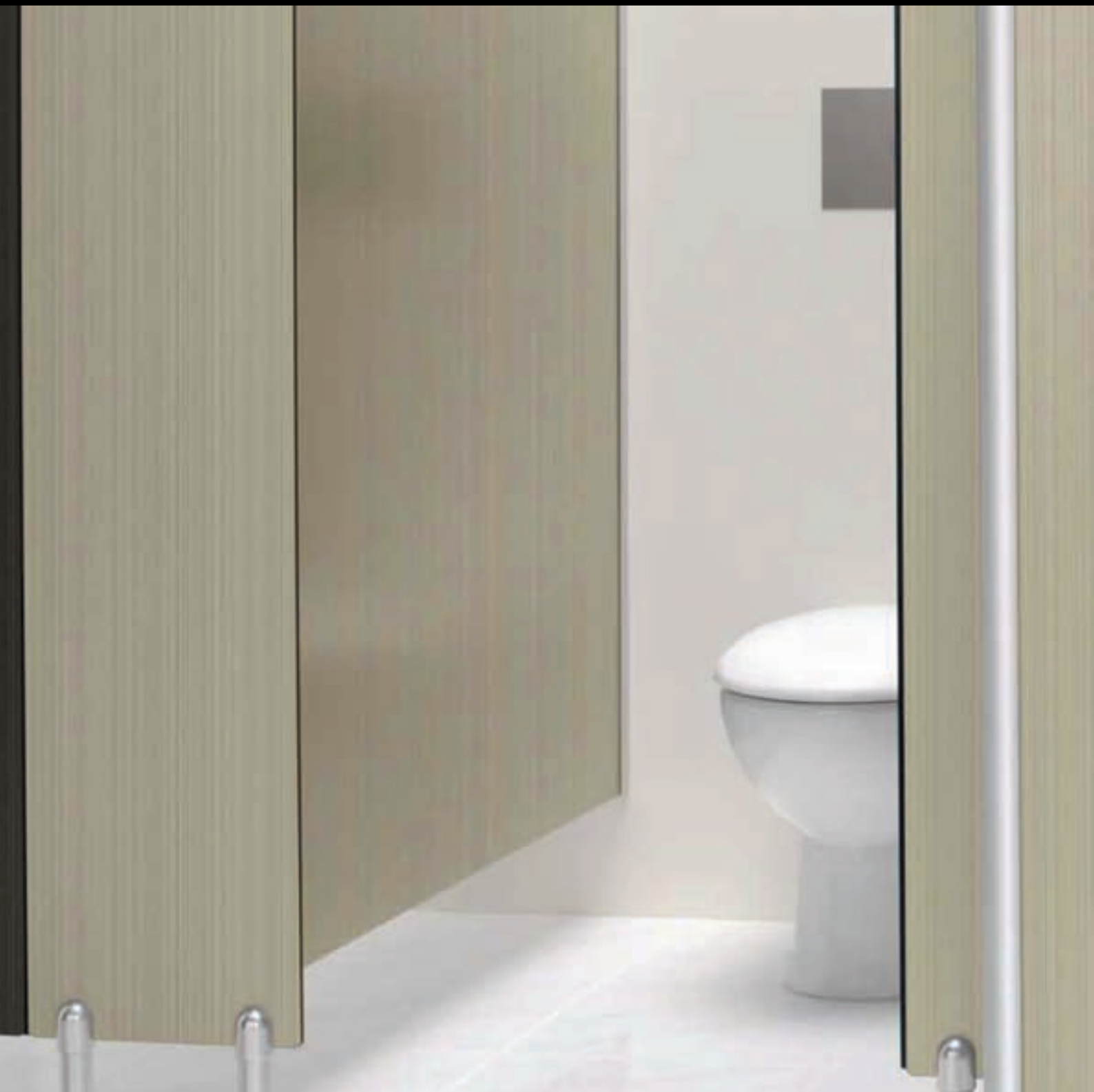
### SEATING COMPONENTS

- A Compact Laminate seat
- B Compact Laminate fascia
- C Compact Laminate fixing rail
- D Anodised aluminium legs
- E Fixing screws (not supplied)



### LOCKER COMPONENTS

- A Locker ends
- B Locker back
- C Locker top
- D Locker shelves
- E Locker bottom
- F Compact Laminate infill
- G Compact Laminate end panel
- H Compact Laminate doors
- I Lock handle
- J Cup hinges and mounting plates
- K Aluminium plinth base
- L Anodised aluminium plinth front
- M Anodised aluminium plinth ends



**Laminex**<sup>®</sup>  
Inspire your space

For a free sample chip call 1800 002 204. For more information visit [laminex.com.au](http://laminex.com.au) or call 132 136.

Laminex Partitioning Systems are marketed and distributed by The Laminex Group, a division of Laminex Group Pty Limited ABN 98 004 093 092. The colours of the products featured within the imagery in this brochure are as close to the Laminex Partitioning Systems range as photographic lighting and modern printing processes allow. Laminex Partitioning Systems range is no different than any other material in that darker colours will always show scratches and superficial wear and tear more readily than lighter colours. Laminex Partitioning Systems should be protected from strong, direct sunlight as continuous exposure may cause discolouration or fading to the surface. Please obtain a copy of the terms and conditions of the applicable warranties from The Laminex Group or visit [laminex.com.au](http://laminex.com.au). This warranty is in addition to any rights that may exist under the Trade Practices Act. Laminex<sup>®</sup>