

Laminex[®]

Made-to-Measure Doors and Panels

Easy Reference Guide

DesignEdge[™] | FormWrap[®] | ColourTech[®]

Laminex® Made-to-Measure Doors and Panels

Creating beautiful, cohesively designed cabinetry is simple with Laminex Made-to-Measure Doors and Panels. There's a range of profiles and routed designs to choose from, in classic, country, art deco and contemporary styles, including sleek handle-free options, and a broad selection of colours and finishes curated from the Laminex Colour Collection. Provide your specifications and measurements, and your doors and panels will be delivered fully finished and ready to install.

DesignEdge™ Doors and Panels - Melamine

Functional Benefits



DesignEdge™ Doors and Panels – AbsoluteMatte Panels

Functional Benefits



DesignEdge™ Doors and Panels – AbsoluteGloss Panels

Functional Benefits



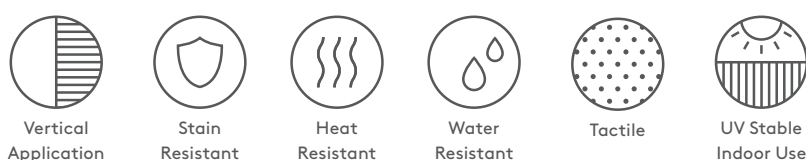
FormWrap® Doors and Panels

Functional Benefits



ColourTech® Doors and Panels

Functional Benefits



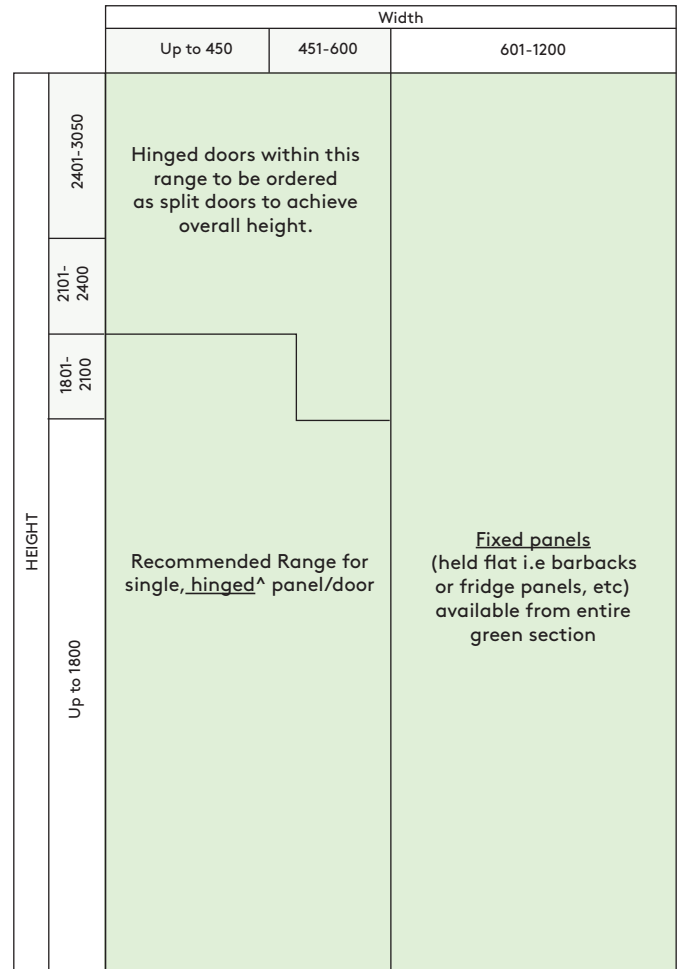
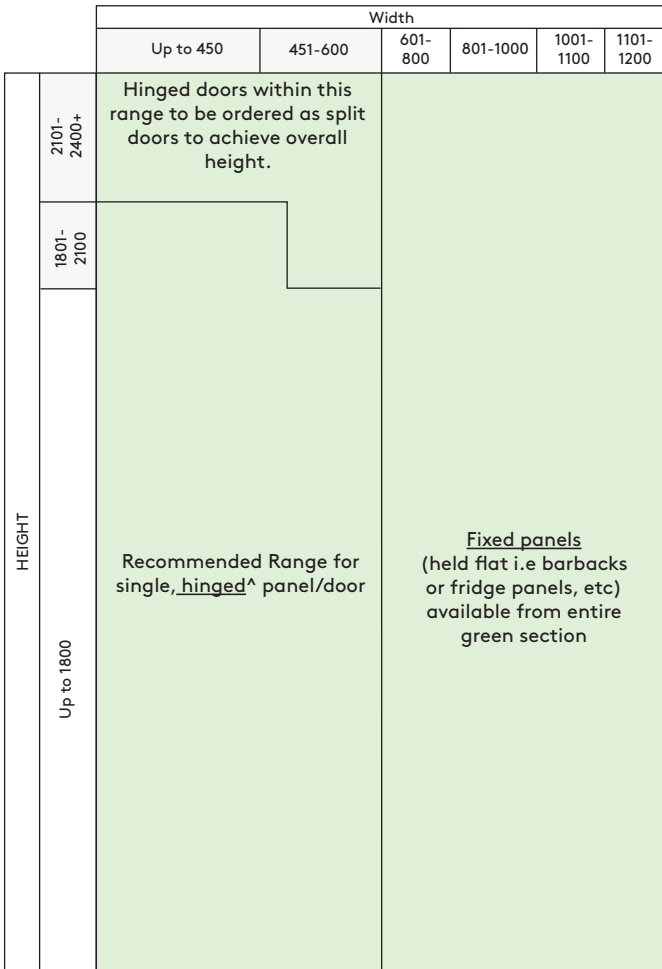
Contents

Hinged Doors and Panel Size Recommendations	4
DesignEdge™ Doors and Panels	6
FormWrap® Doors and Panels	13
Series 1: Flat Face Profiles	16
Series 2: Recessed Handle	18
Series 3: Pocket Routed Profiles	26
Ordering Information	32
ColourTech® Doors and Panels	38
Series 1: Flat Face Profiles	41
Series 2: Recessed Handle	43
Series 3: Pocket Routed Profiles	52
Ordering Information	58

Hinged Door and Panel Size Recommendations

DesignEdge™ Doors and Panels

FormWrap® Doors and Panels



Pantry Doors

Pantry doors are best ordered as split doors, rather than one door. This minimises the occurrence of bowing or warping. Joinery brackets or connecting dowels can be used to join the two doors together if required. Split doors have the advantage of giving the base cupboard door line continuity rather than being stopped by a one piece pantry door. It makes pantry door ordering easy and eliminates possible costly mistakes."

N.B. Larger doors may be subject to bowing due to environmental factors and not related to warrantable issues with the doors.

Doors ordered outside of these recommendations are not covered by warranty.

* See profiles for individual minimum dimensions

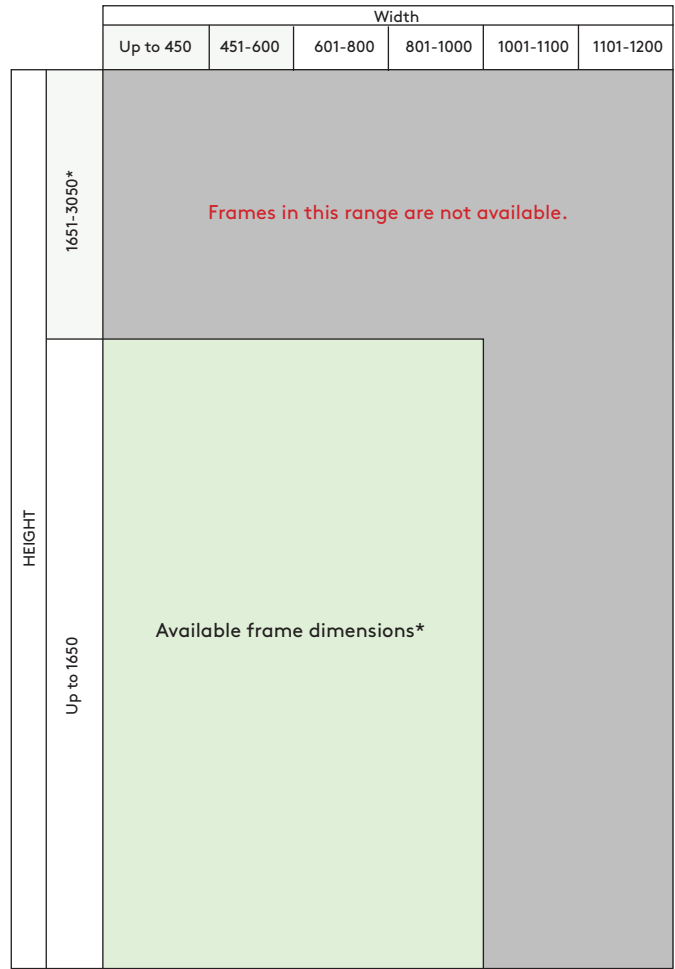
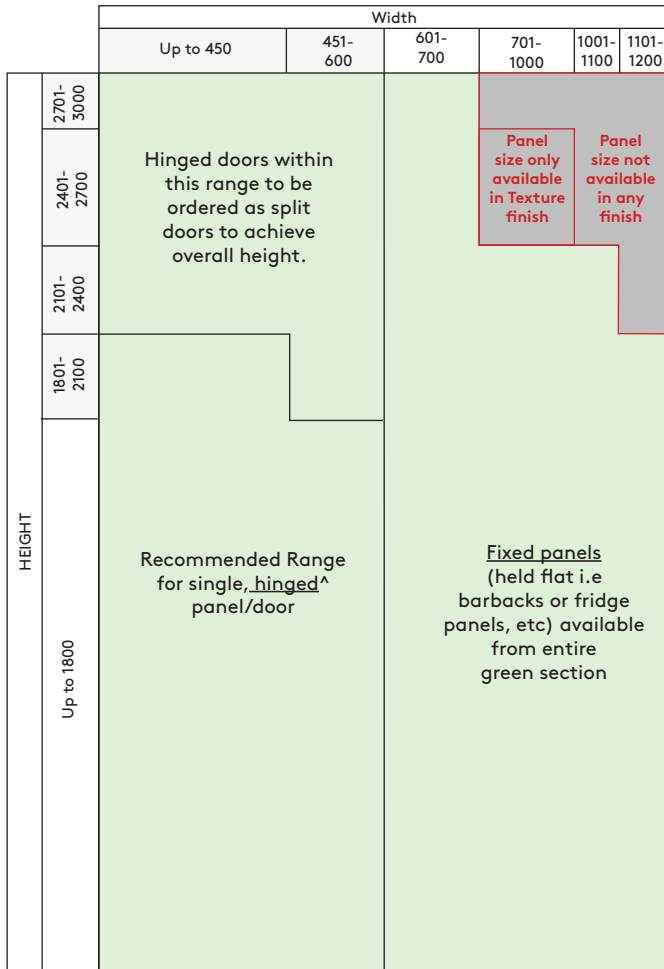
[^] See recommended Hinge quantity recommendations in the relevant Technical Data Sheet

+ Larger panel sizes may be available as a special order only and will attract a higher price

You can obtain a copy of applicable warranties and Technical Datasheets at www.laminex.com.au.

ColourTech® Doors and Panels

Frame Size Availability



DesignEdge™ Doors and Panels



Laminex® DesignEdge™ Doors and Panels

The DesignEdge range offers five cost-effective Lamiwood® finish options as well as the fingerprint-resistant AbsoluteMatte® Panels range, all of which are highly durable and easy to maintain.

General Information

- Available in Low Pressure Melamine décors, including solid colours, patterns and authentic woodgrains, as well as Absolute® Panels range.
- All available décors in their corresponding finishes can be specified with a traditional Square Edge profile, or a Reverse Bevelled profile for a contemporary handle-free finish.

Panel Dimension Overview

Profile	Panel Orientation	Doors and Drawer Sets+				1 Pane Frame			
		Min. Height	Max. Height	Min. Width	Max. Width	Min. Height	Max. Height	Min. Width	Max. Width
Square or Reverse Bevelled	Vertical	115	2400 [^]	115	1200	401	800	397	750
Square or Reverse Bevelled	Horizontal*	115	1200	115	2400 [^]	397	750	401	800

[^] Maximum Door or Panel Height 2400mm based on vertical orientation. Larger height subject to availability and pricing conditions.

+ Drawer Set minimum refers to smallest individual panel dimension within Drawer group, while Drawer Set maximum refers to total height or width of panels within Drawer group.

N.B Widths and heights between 30-115mm ordered as kickers will only have a maximum of three ABS edges.

Profiles



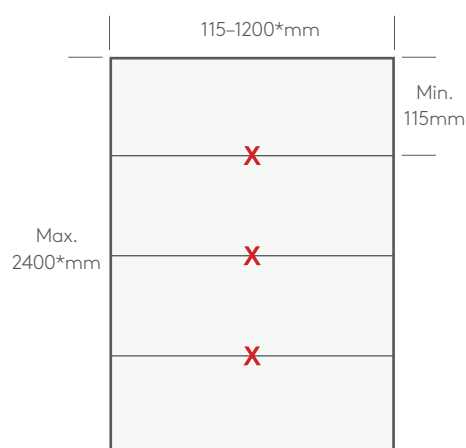
Square Edge



Reverse Bevelled Edge[#]

[#] Reverse Bevelled Edge featured on back of door/panel with a flat face on the front. Available on all 4 sides of the panel.

Drawer Bank/Group



Where **X** appears, between-drawer edging will be supplied as Square Edge, unless specified as Reverse Bevelled Edge (RB1).

* Horizontal orientation flips dimensions to allow a maximum height of 1200mm and maximum width of 2400mm, available for woodgrain décors – not necessary for solid colours.

Frames



External edges available in ABS edging.

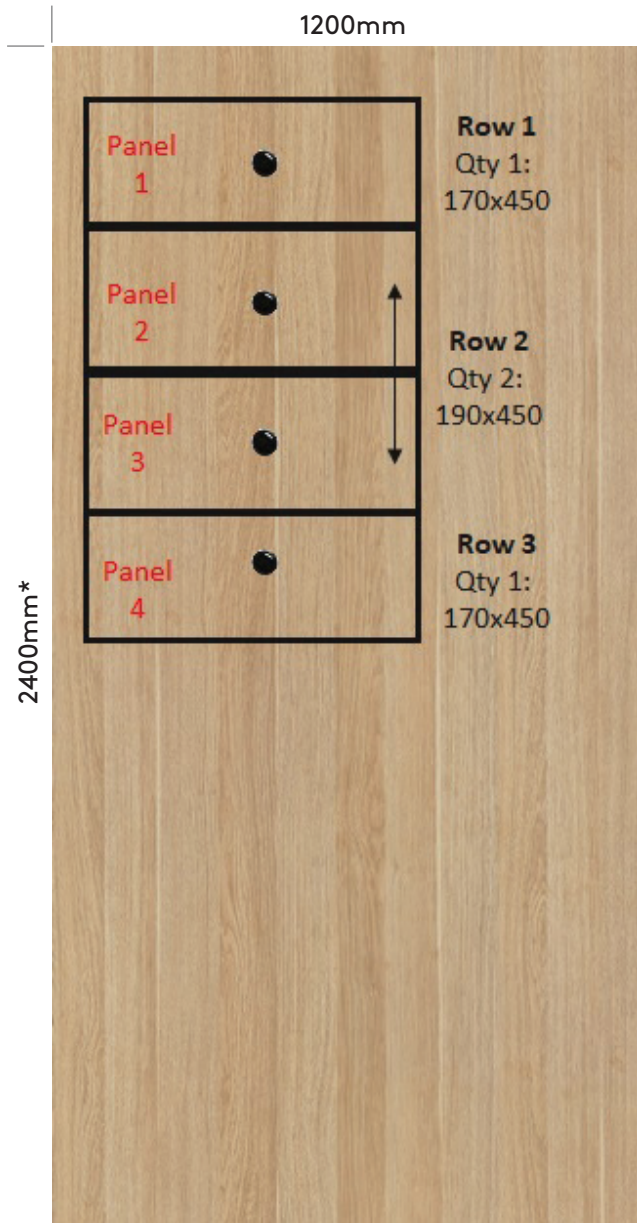
Finishing/Glazing Procedure:

- Sand raw Craftwood rebate with 320 grit sandpaper
- Paint the rebate, masking edge if necessary, and allow to dry. Fit glass into the rebate with silicone.

How to utilise the Drawer or Panel Group order form option

This simple guide will assist you in ordering a full sheet pattern to run across a selection of panels within the same 'Group' by utilising the Drawer or Panel Group number option.

Example shown as Vertical Grain – Drawer or Panel Grouping



Tick for Horizontal Grain (will apply to whole order)

- Leave box unticked.
- Add each panel within a group to ensure they are cut consecutively, allowing the grain to run along the total height of the installed panel
- Each row indicates the direction in which they are cut – therefore, while Rows 1 and 3 are the same panel sizes, if they were added in the same line as a Qty: 2, they would be treated as if they were to be cut as panels 1 and 2 within the column of panels on the sheet.
- Placing them in separate rows allows the cutting order of “ row 1=panel 1, followed by the qty: 2 panels in rows 2= panels 2 and 3, then row 3= panel number 4

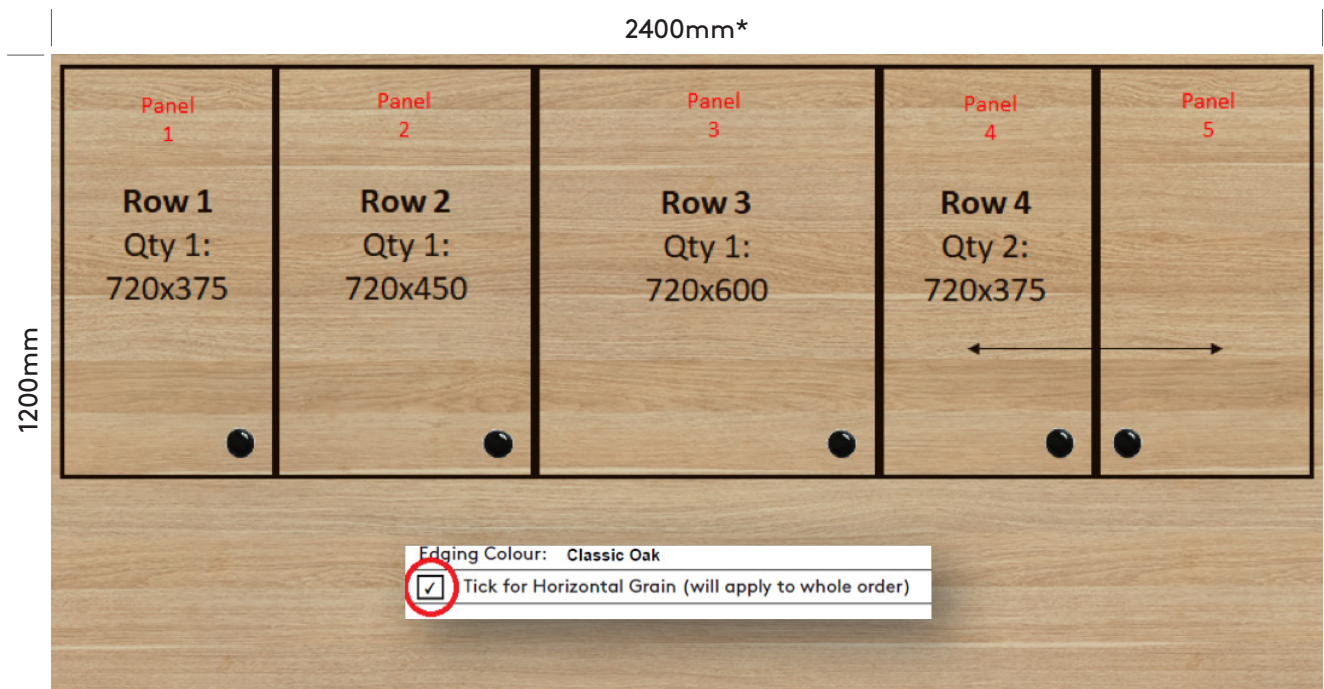
Note: Example only – not shown to scale.

* Must not exceed 2380mm in Drawer or Panel grouping

	Qty	Height (mm)	Width (mm)	Edge Profile & Edging Codes				Panels to be drilled for hinges	Frames	Drawer or Panel Group No.	Details
				Left	Right	Top	Bottom				
Example Order Details											
1	1	720	375	A1	A1	A1	A1		<input type="checkbox"/>	1	<input type="button" value="Undo"/>
2	1	720	450	A1	A1	A1	A1		<input type="checkbox"/>	1	<input type="button" value="Undo"/>
3	1	720	600	A1	A1	A1	A1		<input type="checkbox"/>	1	<input type="button" value="Undo"/>

How to utilise the Drawer or Panel Group order form option - continued

Example shown as Horizontal Grain – Drawer or Panel Grouping



Note: Example only – not shown to scale.

* Horizontal width, matching grain group sets must not exceed 2380mm

Qty	Height (mm)	Width (mm)	Edge Profile & Edging Codes				Panels to be drilled for hinges	Frames	Drawer or Panel Group No.	Details
			Left	Right	Top	Bottom				
Example Order Details										
1	1	720	375	A1	A1	A1	A1	<input type="checkbox"/>	1	<input type="button" value="Undo"/>
2	1	720	450	A1	A1	A1	A1	<input type="checkbox"/>	1	<input type="button" value="Undo"/>
3	1	720	600	A1	A1	A1	A1	<input type="checkbox"/>	1	<input type="button" value="Undo"/>
4	2	720	375	A1	A1	A1	A1	<input type="checkbox"/>	1	<input type="button" value="Undo"/>

- Add each panel within a group to ensure they are cut consecutively, allowing the grain to run across the length of the installed panel width
- Each row indicates the direction in which they are cut – therefore, while Rows 1 and 4 are the same panel sizes, if they were added in the same line as Qty: 3, they would be treated as if they were to be cut as panels 1, 2 and 3 within the row of panels on the sheet, rather than row 1, followed by the panels in rows 2 and 3, then the qty: 2 panels in row 4

Pantry Doors

Note: Pantry doors are best ordered as split doors, rather than one door. This minimises the occurrence of bowing or warping. Joinery brackets or connecting dowels can be used to join the two doors together if required. Split doors have the advantage of giving the base cupboard door line continuity rather than being stopped by a one piece pantry door. It makes pantry door ordering easy and eliminates possible costly mistakes.

How to order Panels be drilled for hinges

This simple guide will assist you in adding hinge hole drilling on select panels.

Qty	Height (mm)	Width (mm)	Edge Profile & Edging Codes				Panels to be drilled for hinges	Frames	Drawer or Panel Group No.	Details
			Left	Right	Top	Bottom				
Example Order Details										
2	730	450	A1	A1	A1	A1				
ie, 2 doors 730mm high x 450mm wide with a 1mm ABS edge on all sides										
1										Undo
2							L2 Bi-f			Undo
3							L2 STD			Undo
4							L3 Bi-f			Undo
5							L3 STD			Undo
6							L4 Bi-f			Undo
							L4 STD			Undo
							L5 Bi-f			Undo

Select the position and number of hinge holes needed from the dropdown options;

- Allows for Standard (STD) or Bi-Fold (Bi-F)
- Up to 5 positions; 4 sides: L, R, T, B
 - L2 STD, L3 STD, L4 STD, L5 STD
 - R2 STD, R3 STD, R4 STD, R5 STD
 - L2 Bi-F, L3 Bi-F, L4 Bi-F, L5 Bi-F

Standard Hinge

L2 STD

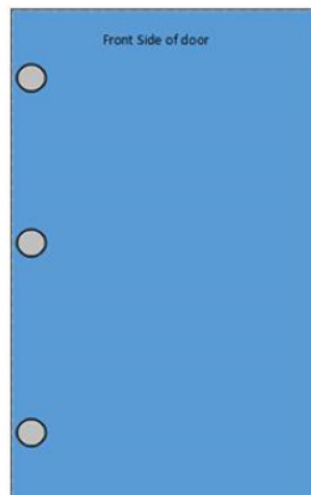
Left hinged
2=Two Holes
Std=Standard Hinge Type

L3 STD

Left hinged
3=Two Holes
Std=Standard Hinge Type

R2 STD

Right hinged
2=Two Holes
Std=Standard Hinge Type



Note:

- Hinge holes will be drilled on the back (internal) side of the panel. Hinge hole shown on front to indicate position when facing the front side of the panel
- Once more than 2 holes are selected, the other nominated holes are evenly spaced unless otherwise specified in the details section.

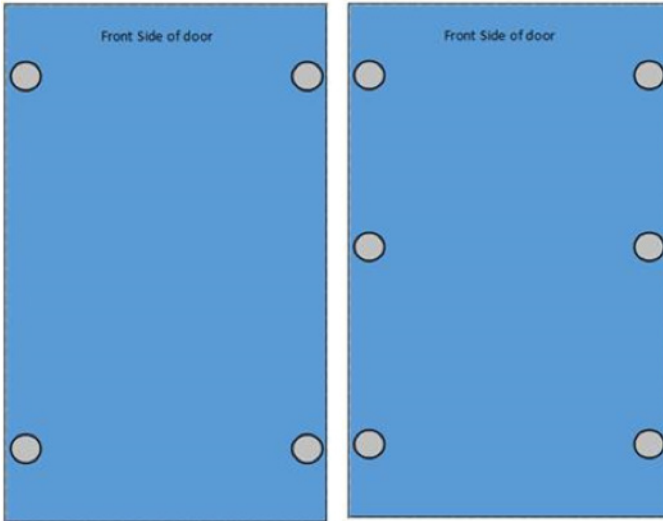
Bi-Fold Hinge

L2 Bi-F

Left Hinge
2=Two Holes left & right
Bi-Fold Hinge Type

L3 Bi-F

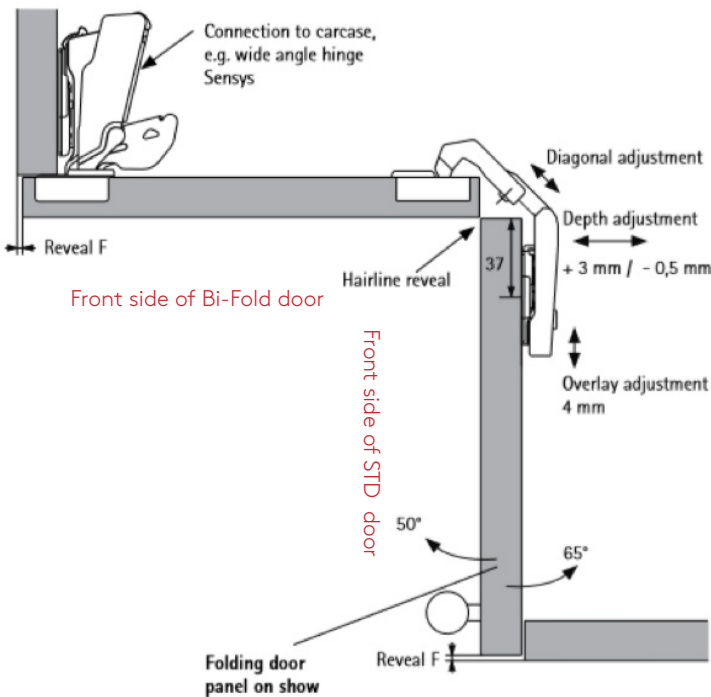
Left Hinge
3=Three Holes left & right
Bi-Fold Hinge Type



Note:

- Hinge holes will be drilled on the back (internal) side of the panel. Hinge hole shown on front to indicate position when facing the front side of the panel
- Once more than 2 holes are selected, the other nominated holes are evenly spaced unless otherwise specified in the details section.

Top view of Bi-Fold Hinge



Recommended Hinge quantities - Standard and Bi-Fold

Door Height (mm)	Door Weight (kg)	No. of Hinges
≤ 900	≤ 9	2
≤ 1600	≤ 15	3
≤ 2000	≤ 19	4
≤ 2400	≤ 23	5

Hinge Hole Drill Request Sample

NOMINATED EDGE: L3 STD

L=Left (hinged left side -from front view) /3=Three/STD= Standard type hinge.

Qty	Height (mm)	Width (mm)	Edge Profile & Edging Codes				Panels to be drilled for hinges	Frames	Drawer or Panel Group No.	Details
			Left	Right	Top	Bottom				
Example Order Details										
2	730	450	A1	A1	A1	A1				
ie, 2 doors 730mm high x 450mm wide with a 1mm ABS edge on all sides										
1	1	750	450	A1	A1	RB1	A1	L3 STD	<input type="checkbox"/>	<input type="button" value="Undo"/>

At the bottom of the order form, section "Hinge Hole Drillings":

- To determine the drilling pattern: Select brand of hinge from **Hinge Type** drop down (or select other and advise in 'other section').
- Specify distance from top and bottom (free text)

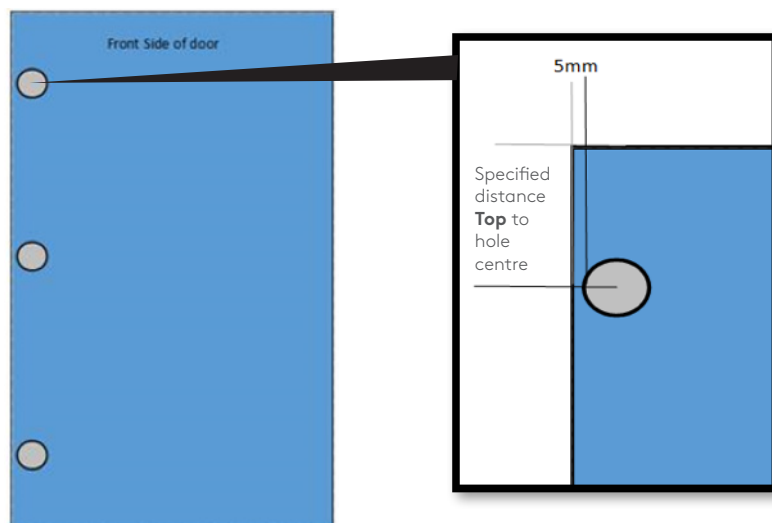
Specific hinge or drilling detail can also be placed the detail section on each line, only if required.

Hinge Hole Drillings:

Select hinge hole type and drilling specification. Hinge Type: **Hettich 110**

Other, specify the distance from top and bottom (to hole centre): **100mm Top / 100mm Bottom**

*If Hinge drilling is required , please select the edge and number of hinge holes for each line, including clarification on Standard (STD) or Bi-Fold (Bi-F) hinge option. Specify hinge distance in the Details field on each line, or provide details in the Distance field above. For specialised hinge drilling, please attach information to the email that is created when you click the Send order by email button to submit the order to Laminex.



FormWrap® Doors and Panels



Laminex® FormWrap® Doors and Panels

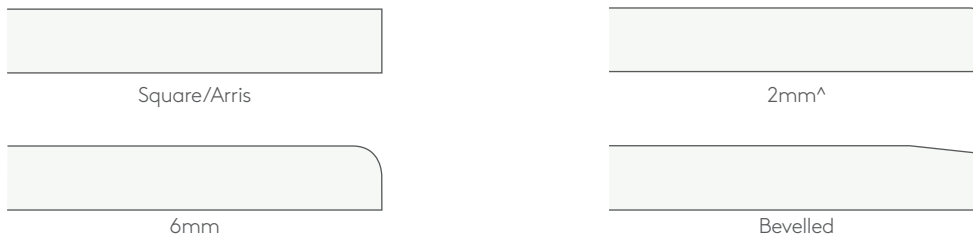
FormWrap Doors and Panels are thermolaminated (vacuum wrapped) vinyl offering a luxurious, seamless look that's surprisingly affordable.

General Information

- Available in a select range of flat-face and routed profiles, with solid colours in select four finishes; Fine Texture, Satin, Super Matte and Gloss.

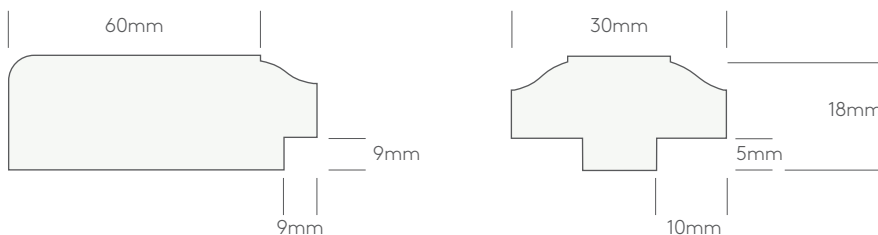
Door Edge Details

The full range is available with 3 external edge profiles options. The internal edge profile of door frames for glazing are supplied in the corresponding moulded profile and available in 1, 2, 4 or 6 pane options. Glass not included.



[^] 2mm edge option presents as 3mm pencil round once vinyl is applied.

Glazed Frame Bar Rebates



Glazing Frame procedure

- Sand rebate with 320 grit sandpaper.
- Coat rebate with white acrylic paint & allow to dry.
- Fit the glass into the glazing rebate with silicone.

Dimensions and Reference Guide

This simple guide outlines the minimum and maximum sizes available for products within the FormWrap offer.

**Doors, Drawers and Panels (18mm thick) with 60mm rail widths (4 sides).
Half Rails = 30mm.**

	Profile	Doors				Drawer Sets (width as per door)			Drawer Banks (width as per door)			Pantry Doors, Filler & End Panels				Horizontal Panels			
		Min. H	Max. H	Min. W	Max. W	Top	Middle	Bottom	Top	Middle	Bottom	Min. H	Max. H	Min. W	Max. W	Min. H	Max. H	Min. W	Max. W
						Min. H	Min. H	Min. H	Min. H	Min. H									
Flat Face	Classic	65	3050	65	1200				65	65	65	65	3050	65	1200	65	1200	65	3050
	Soft Bevelled Edge	65	3050	65	1200				65	65	65	65	3050	65	1200	65	1200	65	3050
Face Routed	Finger Pull	100	3500	100	1200	100	100	100				100	3050	100	1200	100	1200	100	3050
	Country V	65	3050	65	1200	65	65	65	65	65	65	65	3050	65	1200	65	1200	65	3050
	Newport	65	3050	65	1200	65	65	65	65	65	65	65	3050	65	1200	65	1200	65	3050
	Homestead	194	3050	194	1200	174	144	174	132	100	132	194	3050	194	1200	194	1200	194	3050
	Country Square	194	3050	194	1200	178	148	178	134	100	134	194	3050	194	1200	194	1200	194	3050
	Colonial Square	226	3050	226	1200	211	181	211	143	100	143	226	3050	226	1200	226	1200	226	3050
	Metro	160	3050	160	1200	145	115	145	110	100	110	160	3050	160	1200	160	1200	160	3050
	Chicago	160	3050	160	1200	195	165	195	135	100	135	160	3050	160	1200	160	1200	160	3050
Pocket	Shaker	182	3050	182	1200	147	117	147	111	100	111	182	3050	182	1200	182	1200	182	3050
	Settler	182	3050	182	1200	147	117	147	111	100	111	182	3050	182	1200	182	1200	182	3050
	Settler Planked	182	3050	182	1200	162	132	162	126	100	126	182	3050	182	1200	182	1200	182	3050
	Nostalgia Square	190	3050	190	1200	155	125	155	115	100	115	190	3050	190	1200	190	1200	190	3050
	Nostalgia (soft) Arch	190	3050	190	1200	185	155	185	115	100	115	190	3050	190	1200	190	1200	190	3050
	Nouvo	200	3050	200	1200	165	135	165	120	100	120	200	3050	200	1200	200	1200	200	3050

Frames

Profile	1 Pane Frame				4 Pane Frame			
	Min. H	Max. H	Min. W	Max. W	Min. H	Max. H	Min. W	Max. W
Square	180	1650	180	1000	300	1650	300	1000
Arch	180	1650	180	1000	300	1650	300	1000
Bevelled	180	1650	180	1000				

Profile	2 Pane Frame				6 Pane Frame			
	Min. H	Max. H	Min. W	Max. W	Min. H	Max. H	Min. W	Max. W
Square	300	1650	180	1000	400	1650	400	1000
Arch	300	1650	180	1000	400	1650	400	1000

Appliance Frames			
Min. H	Max. H	Min. W	Max. W
300	1650	300	1000
300	1650	300	1000
300	1650	300	1000

Height & Width Ranges

Height Ranges (mm)	Width Ranges (mm)
65*-200	65*-150
201-400	151-300
401-600	301-350
601-750	351-400
751-900	401-450
901-1200	451-500
1201-1500	501-550
1501-1800	551-600
1801-2100	601-650
2101-2400	651-800
2401-2600	801-1000
2601-2800	1001-1200
2801-3050	

* Refer to individual minimums.

Recommendations for smaller widths/heights

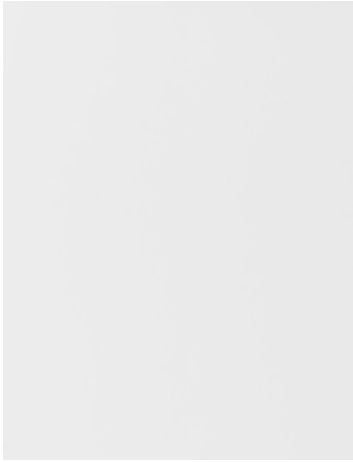
In the case of drawers and infills, should the size of doors required be smaller than the profiles minimum height and width, we recommend the use of the Classic Profile Door.

Also refer to our corresponding decorated board range in the Made-to-Measure Doors and Panels brochure for applications such as filler panels, kickers, shelving, fridge and end panels, to name a few.

Note: All dimensions stated are in mm

Series 1: Flat Face Profiles

Profile: **Classic**



Door minimum

Min Height: 65mm

Min Width: 65mm

Drawer Bank Minimum

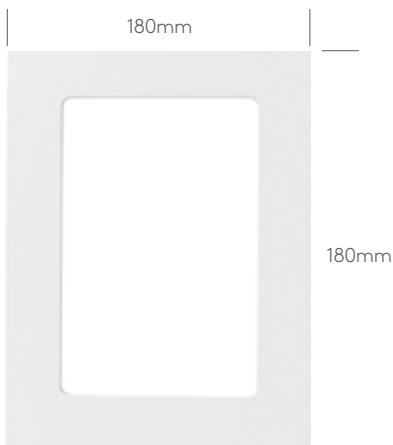


Where **X** appears in Drawer Bank, Between-Drawer-Edging will be supplied as Square edge only. Edge override option not available for Drawer Bank. Drawer gaps standard 2mm allowance.

No drawer sets available, simply order as individual panels.

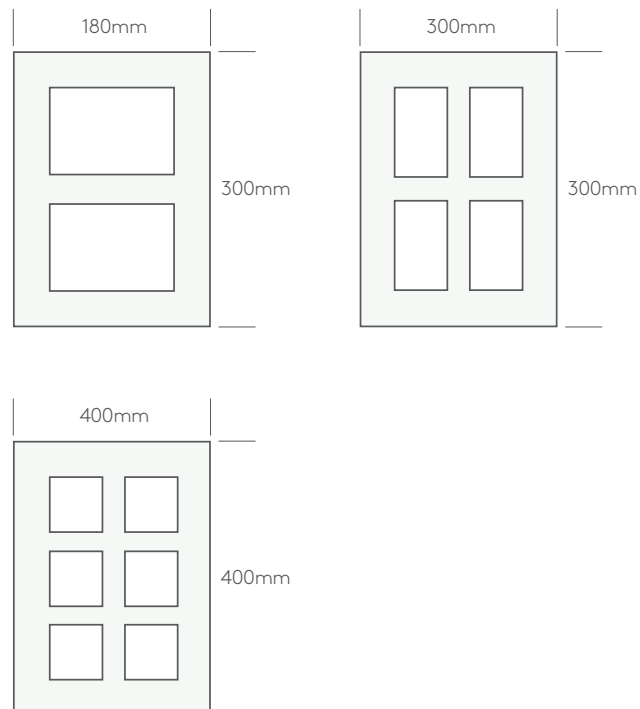
Where height dimension is stated in **orange**, this indicates space available for door hardware.

Frame Type: Classic



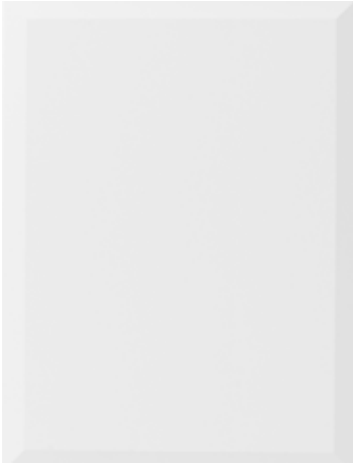
Profile available with 3 external edge options; square, 2mm or 6mm. Diagrams not shown to scale or with exact mould detail. Frame image shown to illustrate shape detail only – not reflective of colours available. Dimension and profile specifications outlined to assist with order placement.

Minimum Dimensions:

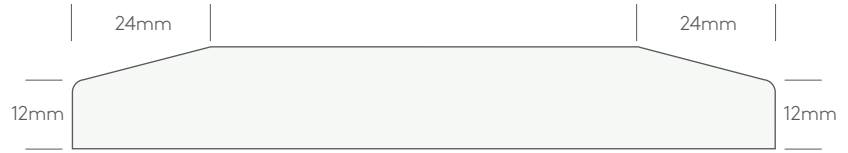


Series 1: Flat Face Profiles

Profile: Soft Bevelled



Cross Section Diagram

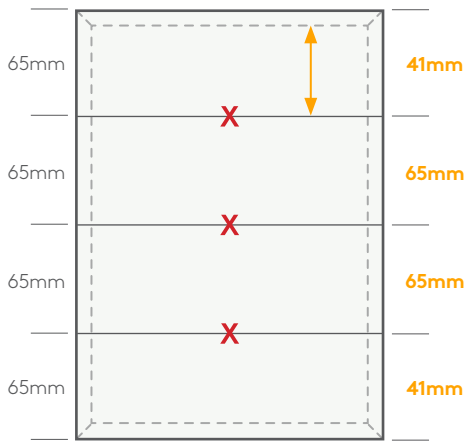


Door minimum

Min Height: 65mm

Min Width: 65mm

Drawer Bank Minimum

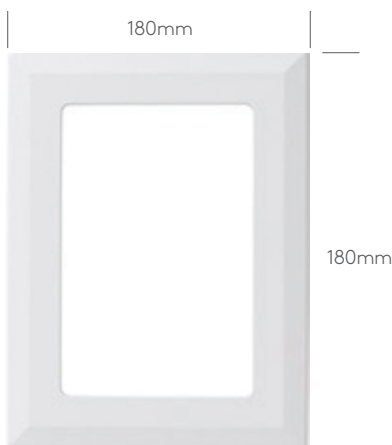


Where **X** appears in Drawer Bank, Between-Drawer-Edging will be supplied as Square edge only. Edge override option not available for Drawer Bank. Drawer gaps standard 2mm allowance.

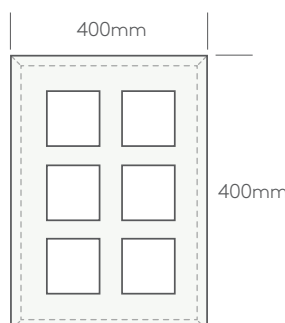
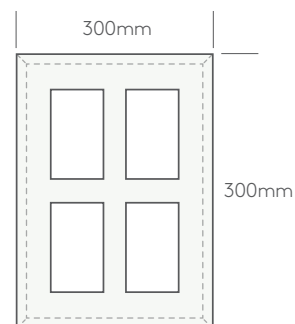
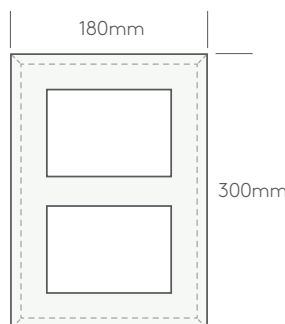
No drawer sets available, simply order as individual panels.

Where height dimension is stated in **orange**, this indicates space available for door hardware.

Frame Type: Soft Bevelled



Minimum Dimensions:



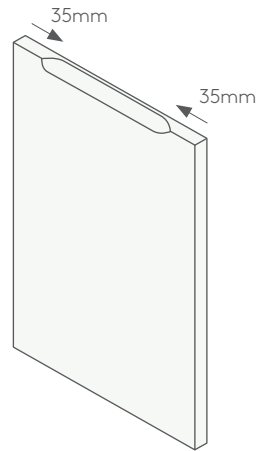
Profile only available with soft bevelled external edge profile. Diagrams not shown to scale or with exact mould detail. Frame image shown to illustrate shape detail only – not reflective of colours available. Dimension and profile specifications outlined to assist with order placement.

Series 2: Recessed Handle

Profile: Finger Pull



Cross Section Diagram



Door minimum

Min Height: 100mm

Min Width: 100mm

Drawer Set Minimum



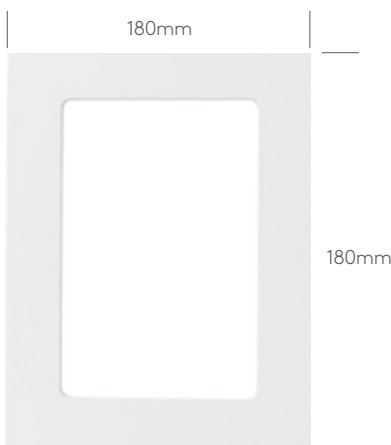
To achieve a Drawer Set, please order as individual panels to ensure finger pull feature on each panel. Where **X** appears in Drawer Set diagram, Between-Drawer-Edging will be supplied as per edge profile chosen on order form.

Drawer gaps standard 2mm allowance.

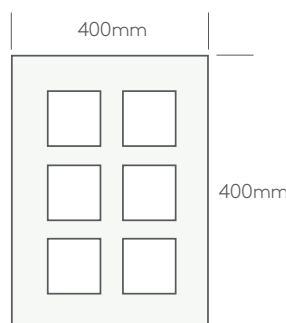
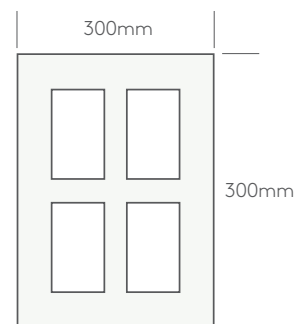
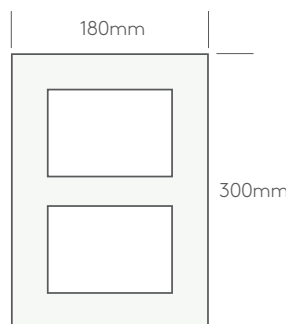
Where height dimension is stated in **orange**, this indicates space available for door hardware.

No drawer banks available.
Not available in Double-sided.

Frame Type: Classic



Minimum Dimensions:



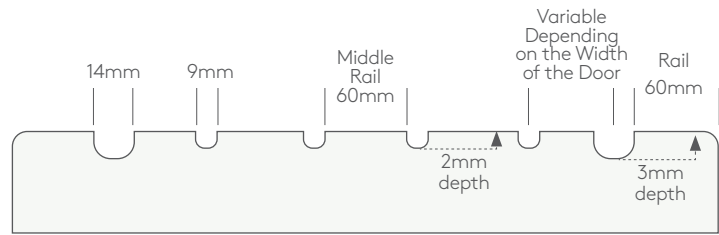
Profile available with 1 external edge option only; square. Diagrams not shown to scale or with exact mould detail. Frame image shown to illustrate shape detail only – not reflective of colours available. Dimension and profile specifications outlined to assist with order placement.

Series 2: Face Routed Profiles

Profile: Country Square



Cross Section Diagram

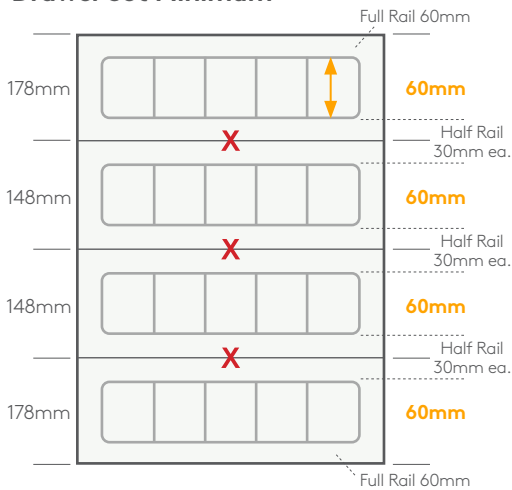


Door minimum

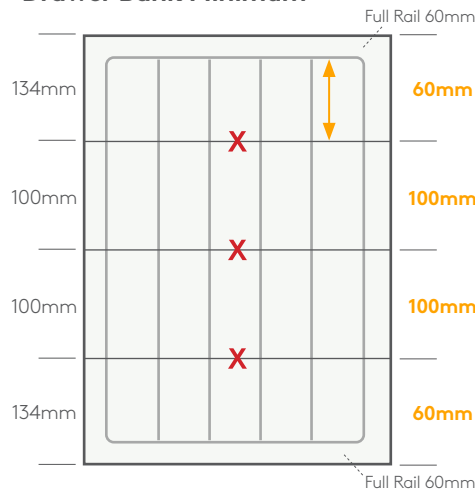
Min Height: 194mm

Min Width: 194mm

Drawer Set Minimum



Drawer Bank Minimum

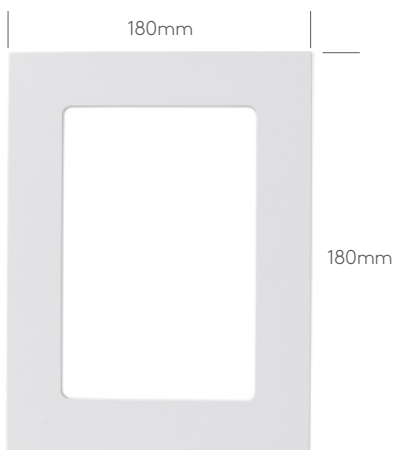


Where **X** appears in Drawer Set, if not specified, Between-Drawer-Edging will be supplied as Square edge. Edge override option not available for Drawer Bank. Drawer gaps standard 2mm allowance.

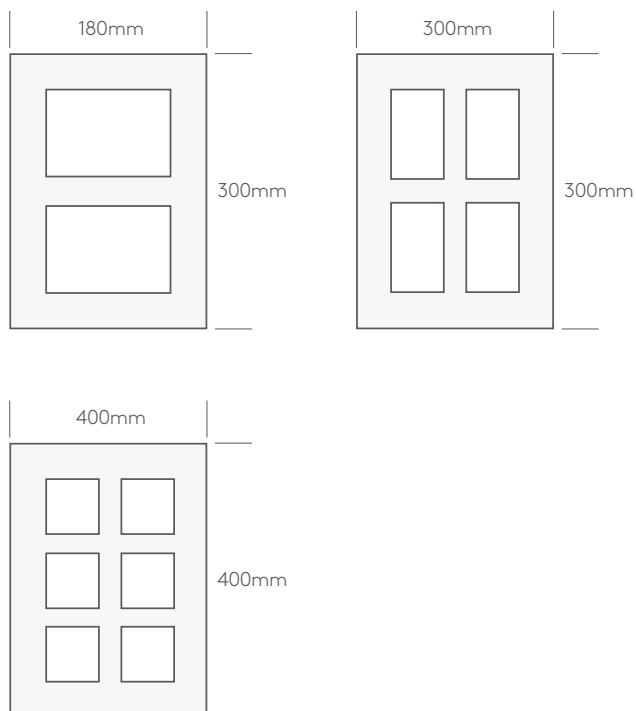
Where height dimension is stated in **orange**, this indicates space available for door hardware.

Where **X** appears in Drawer Set, Between-Drawer-Rails are automatically half rails. For full rails, simply order as individual panels.

Frame Type: Country Square



Minimum Dimensions:



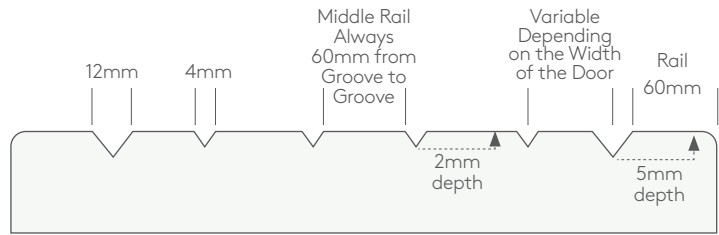
Profile available with 3 external edge options; square, 2mm or 6mm. Diagrams not shown to scale or with exact mould detail. Frame image shown to illustrate shape detail only – not reflective of colours available. Dimension and profile specifications outlined to assist with order placement.

Series 2: Face Routed Profiles

Profile: Homestead



Cross Section Diagram

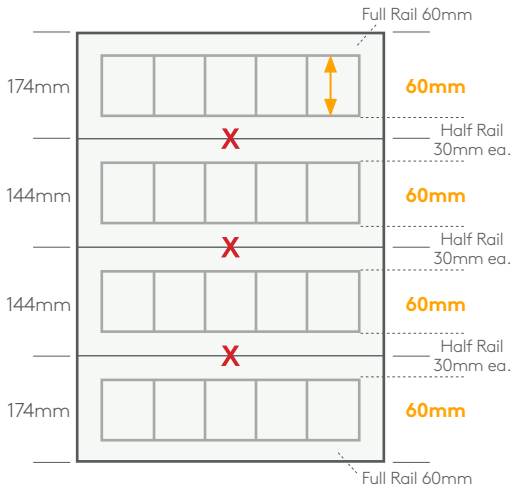


Door minimum

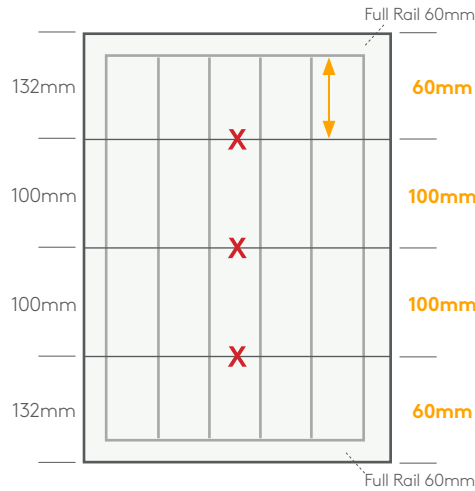
Min Height: 194mm

Min Width: 194mm

Drawer Set Minimum



Drawer Bank Minimum

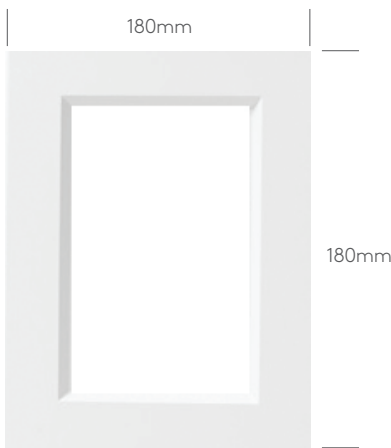


Where **X** appears in Drawer Set, if not specified, Between-Drawer-Edging will be supplied as Square edge. Edge override option not available for Drawer Bank. Drawer gaps standard 2mm allowance.

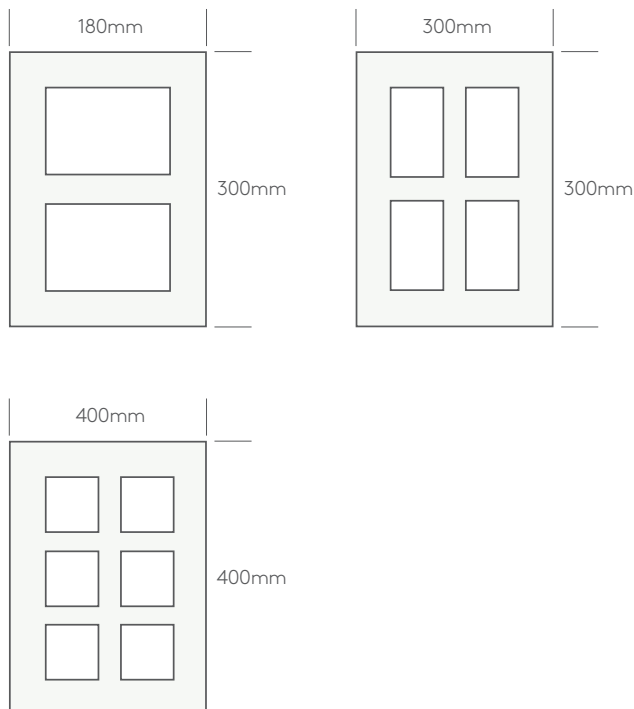
Where height dimension is stated in **orange**, this indicates space available for door hardware.

Where **X** appears in Drawer Set, Between-Drawer-Rails are automatically half rails. For full rails, simply order as individual panels.

Frame Type: Settler



Minimum Dimensions:



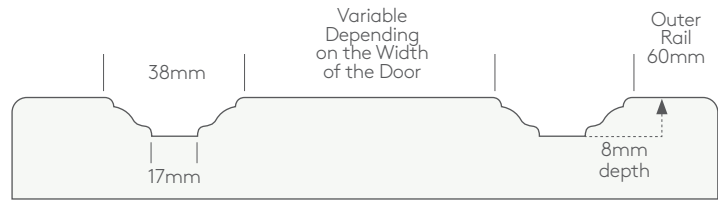
Profile available with 3 external edge options; square, 2mm or 6mm. Diagrams not shown to scale or with exact mould detail. Frame image shown to illustrate shape detail only – not reflective of colours available. Dimension and profile specifications outlined to assist with order placement.

Series 2: Face Routed Profiles

Profile: Colonial Square



Cross Section Diagram

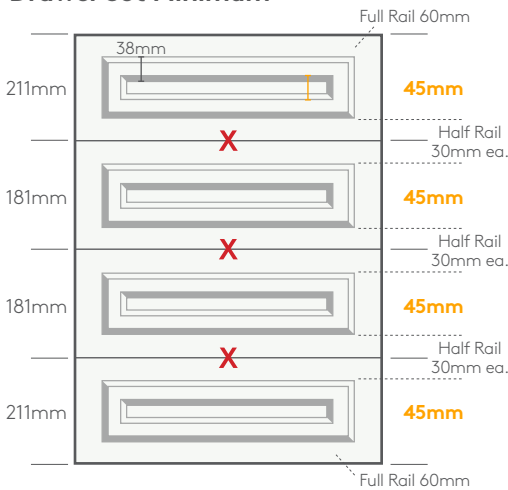


Door minimum

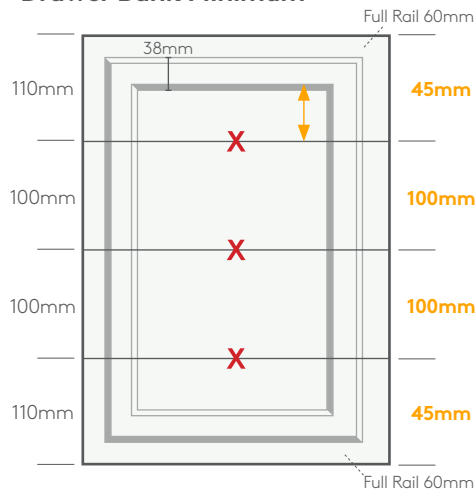
Min Height: 241mm

Min Width: 241mm

Drawer Set Minimum



Drawer Bank Minimum



Where **X** appears in Drawer Set, if not specified, Between-Drawer-Edging will be supplied as Square edge. Edge override option not available for Drawer Bank. Drawer gaps standard 2mm allowance.

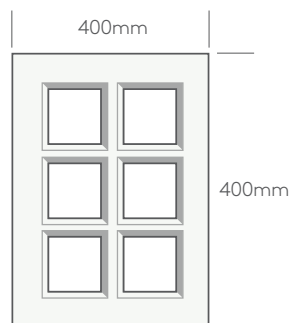
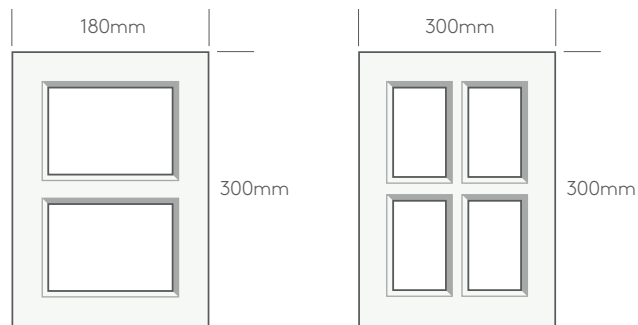
Where height dimension is stated in **orange**, this indicates space available for door hardware.

Where **X** appears in Drawer Set, Between-Drawer-Rails are automatically half rails. For full rails, simply order as individual panels.

Frame Type: Colonial Square



Minimum Dimensions:



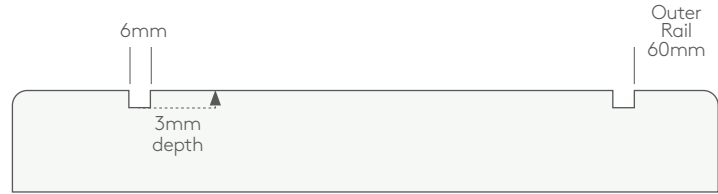
Profile available with 3 external edge options; square, 2mm or 6mm. Diagrams not shown to scale or with exact mould detail. Frame image shown to illustrate shape detail only – not reflective of colours available. Dimension and profile specifications outlined to assist with order placement.

Series 2: Face Routed Profiles

Profile: Metro



Cross Section Diagram

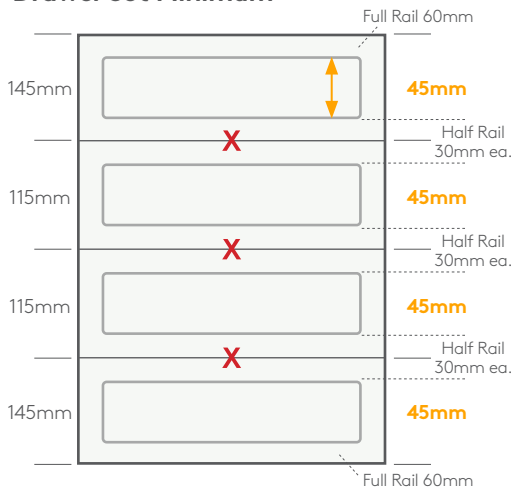


Door minimum

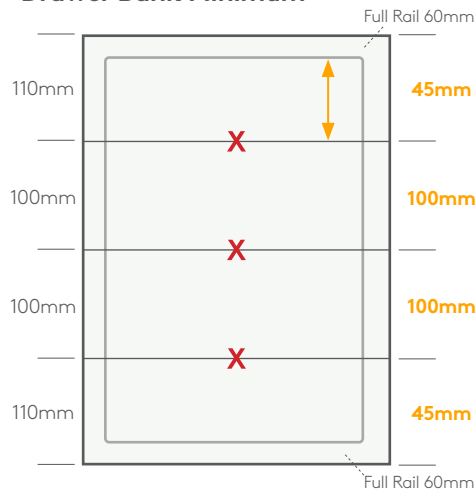
Min Height: 160mm

Min Width: 160mm

Drawer Set Minimum



Drawer Bank Minimum

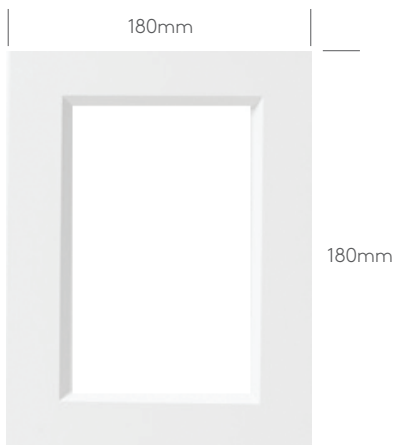


Where **X** appears in Drawer Set, if not specified, Between-Drawer-Edging will be supplied as Square edge. Edge override option not available for Drawer Bank. Drawer gaps standard 2mm allowance.

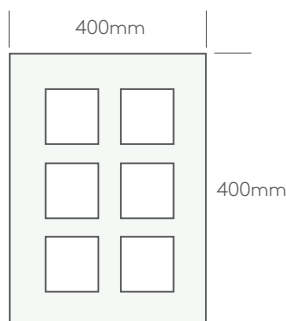
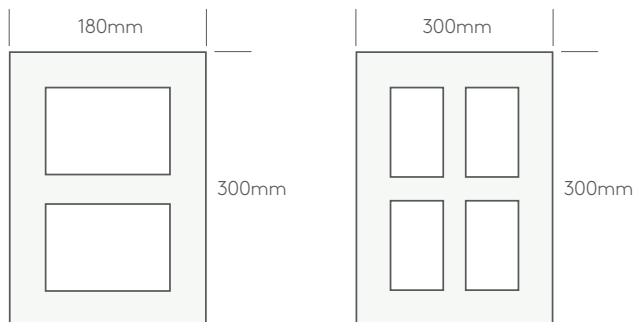
Where height dimension is stated in **orange**, this indicates space available for door hardware.

Where **X** appears in Drawer Set, Between-Drawer-Rails are automatically half rails. For full rails, simply order as individual panels.

Frame Type: Settler



Minimum Dimensions:



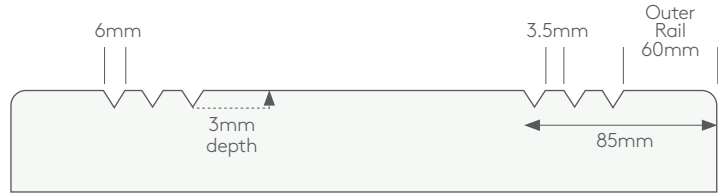
Profile available with 3 external edge options; square, 2mm or 6mm. Diagrams not shown to scale or with exact mould detail. Frame image shown to illustrate shape detail only – not reflective of colours available. Dimension and profile specifications outlined to assist with order placement.

Series 2: Face Routed Profiles

Profile: Chicago



Cross Section Diagram

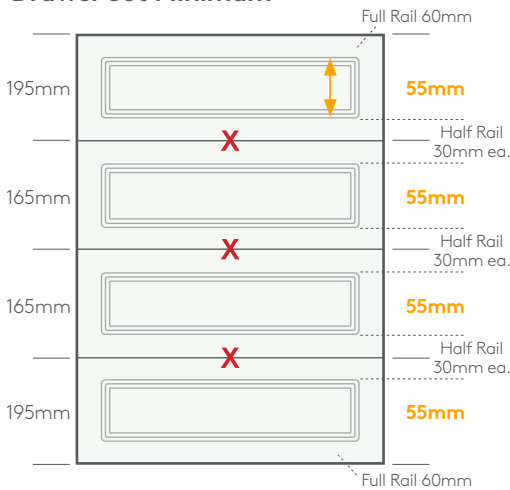


Door minimum

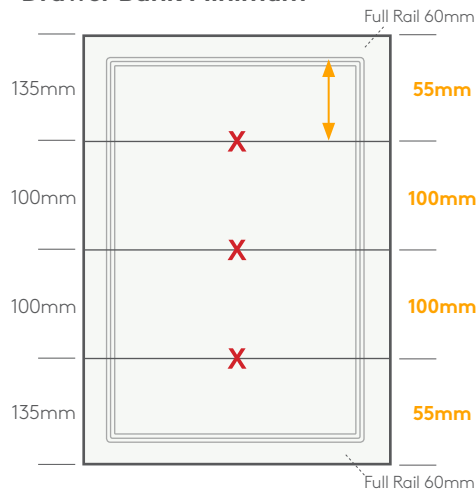
Min Height: 225mm

Min Width: 225mm

Drawer Set Minimum



Drawer Bank Minimum

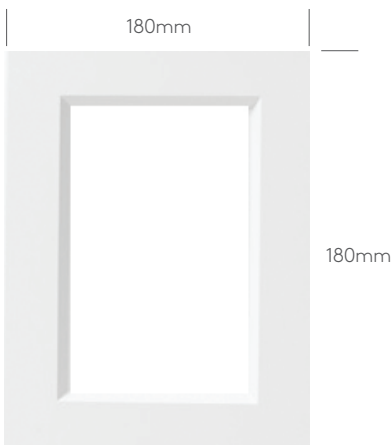


Where **X** appears in Drawer Set, if not specified, Between-Drawer-Edging will be supplied as Square edge. Edge override option not available for Drawer Bank. Drawer gaps standard 2mm allowance.

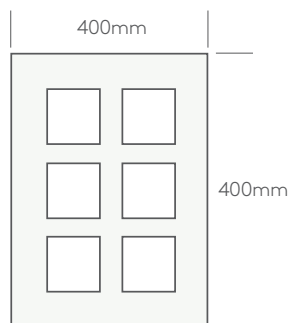
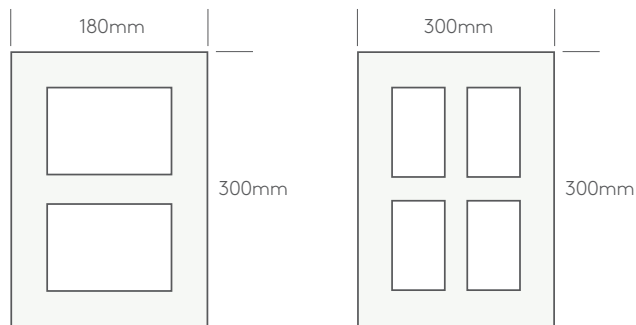
Where height dimension is stated in **orange**, this indicates space available for door hardware.

Where **X** appears in Drawer Set, Between-Drawer-Rails are automatically half rails. For full rails, simply order as individual panels.

Frame Type: Settler



Minimum Dimensions:



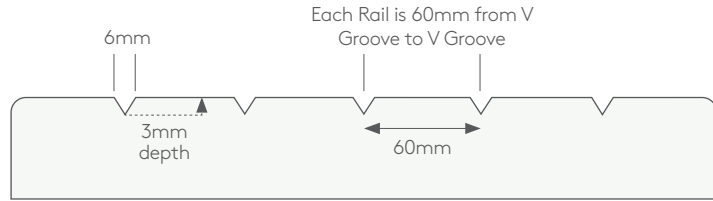
Profile available with 3 external edge options; square, 2mm or 6mm. Diagrams not shown to scale or with exact mould detail. Frame image shown to illustrate shape detail only – not reflective of colours available. Dimension and profile specifications outlined to assist with order placement.

Series 2: Face Routed Profiles

Profile: **Country V**



Cross Section Diagram

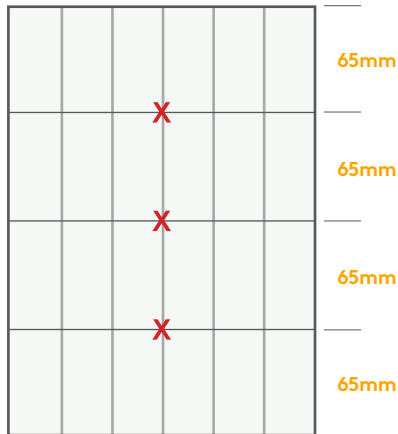


Door minimum

Min Height: 65mm

Min Width: 65mm

Drawer Bank Minimum



Where **X** appears in Drawer Bank, Between-Drawer-Edging will be supplied as Square edge only. Edge override option not available for Drawer Bank. Drawer gaps standard 2mm allowance.

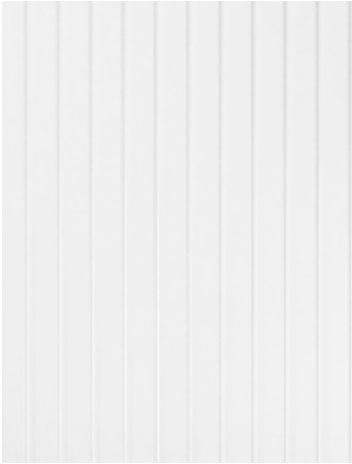
No drawer sets available, simply order as individual panels.

Where height dimension is stated in **orange**, this indicates space available for door hardware.

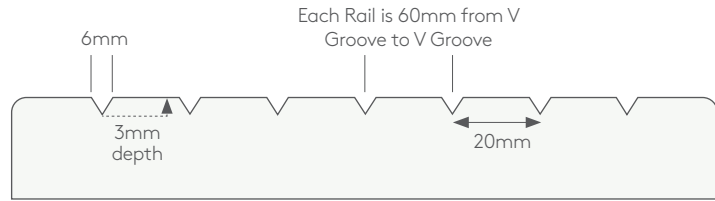
Profile available with 3 external edge options; square, 2mm or 6mm. Diagrams not shown to scale or with exact mould detail. Dimension and profile specifications outlined to assist with order placement.

Series 2: Face Routed Profiles

Profile: Newport



Cross Section Diagram

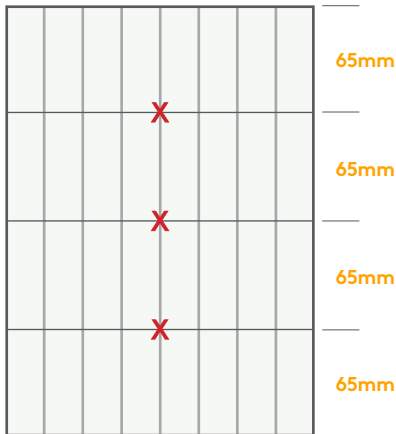


Door minimum

Min Height: 65mm

Min Width: 65mm

Drawer Bank Minimum



Where **X** appears in Drawer Bank, Between-Drawer-Edging will be supplied as Square edge. Edge override option not available for Drawer Bank. Drawer gaps standard 2mm allowance.

No drawer sets available, simply order as individual panels.

Where height dimension is stated in **orange**, this indicates space available for door hardware.

Profile available with 3 external edge options; square, 2mm or 6mm. Diagrams not shown to scale or with exact mould detail. Dimension and profile specifications outlined to assist with order placement.

Series 3: Pocket Routed Profiles

Profile: Shaker



Cross Section Diagram

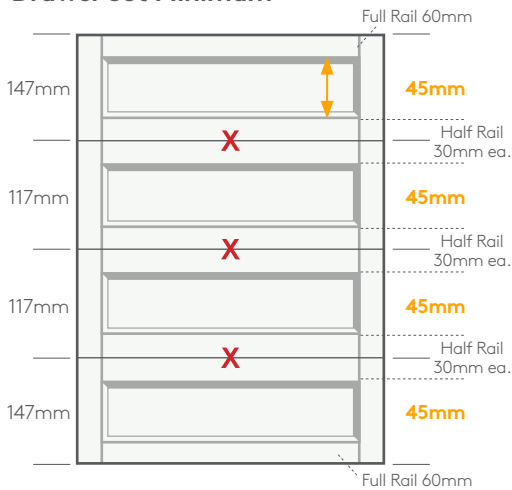


Door minimum

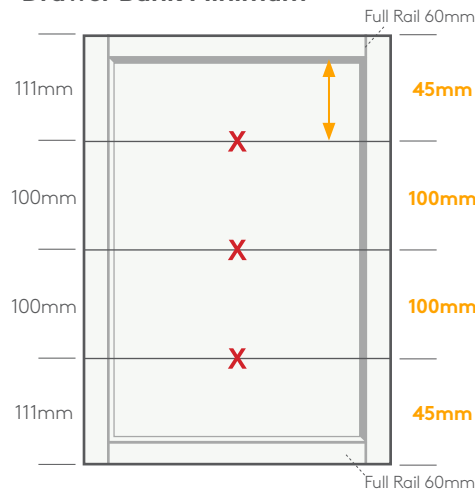
Min Height: 182mm

Min Width: 182mm

Drawer Set Minimum



Drawer Bank Minimum

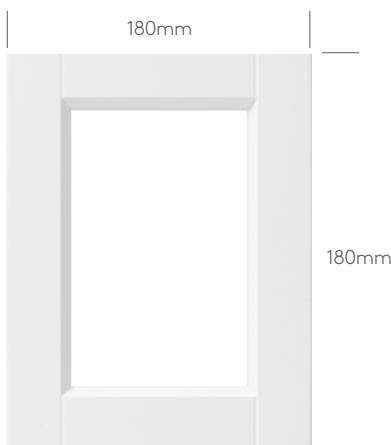


Where **X** appears in Drawer Set, if not specified, Between-Drawer-Edging will be supplied as Square edge. Edge override option not available for Drawer Bank. Drawer gaps standard 2mm allowance.

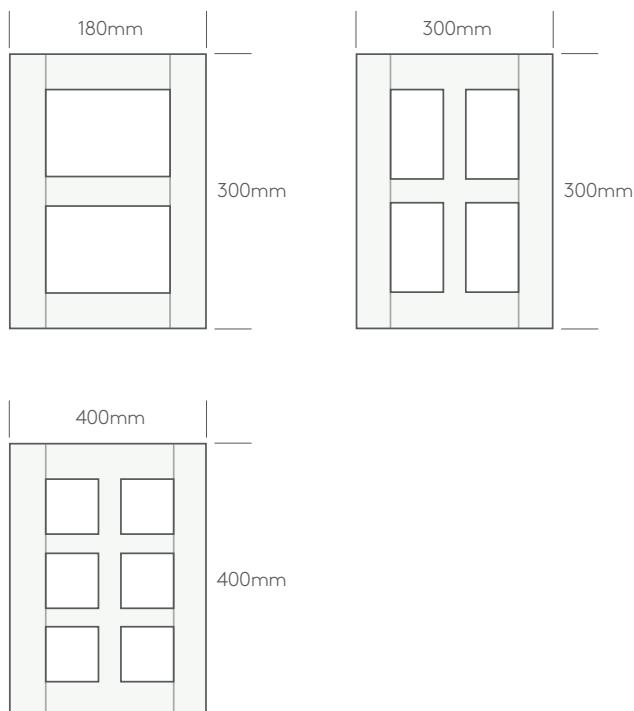
Where height dimension is stated in **orange**, this indicates space available for door hardware.

Where **X** appears in Drawer Set, Between-Drawer-Rails are automatically half rails. For full rails, simply order as individual panels.

Frame Type: Shaker



Minimum Dimensions:



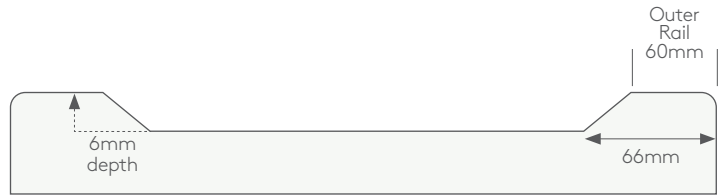
Profile available with 3 external edge options; square, 2mm or 6mm. Diagrams not shown to scale or with exact mould detail. Frame image shown to illustrate shape detail only – not reflective of colours available. Dimension and profile specifications outlined to assist with order placement.

Series 3: Pocket Routed Profiles

Profile: Settler



Cross Section Diagram

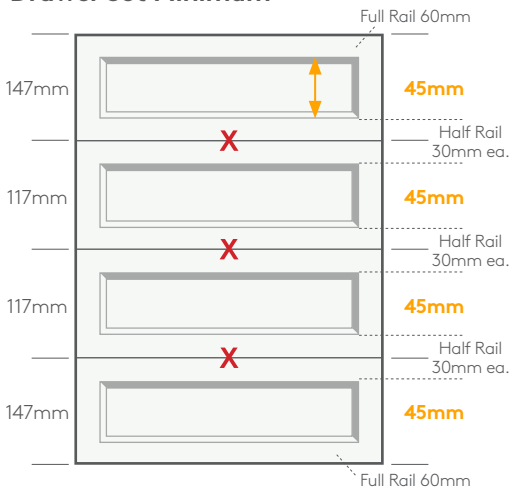


Door minimum

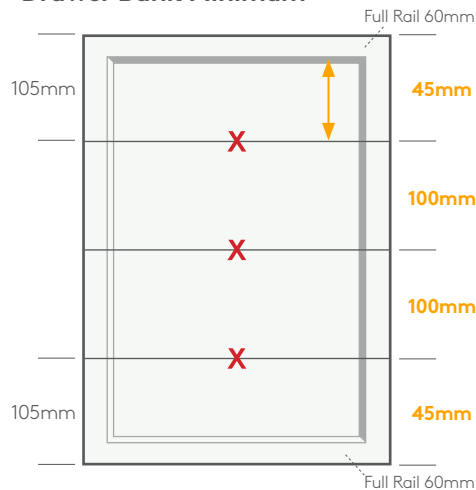
Min Height: 182mm

Min Width: 182mm

Drawer Set Minimum



Drawer Bank Minimum

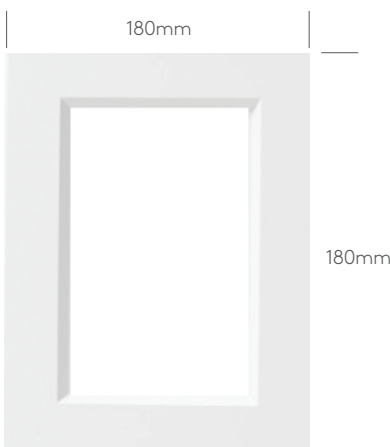


Where **X** appears in Drawer Set, if not specified, Between-Drawer-Edging will be supplied as Square edge. Edge override option not available for Drawer Bank. Drawer gaps standard 2mm allowance.

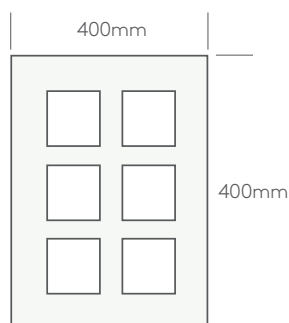
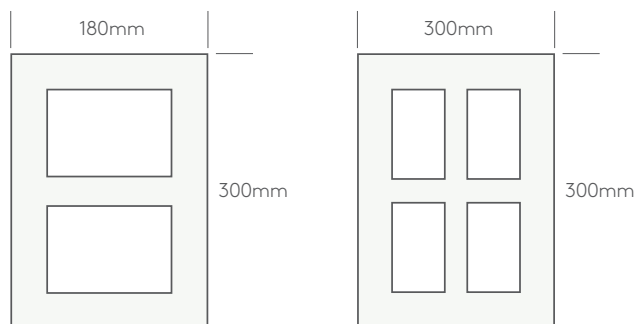
Where height dimension is stated in **orange**, this indicates space available for door hardware.

Where **X** appears in Drawer Set, Between-Drawer-Rails are automatically half rails. For full rails, simply order as individual panels.

Frame Type: Settler



Minimum Dimensions:



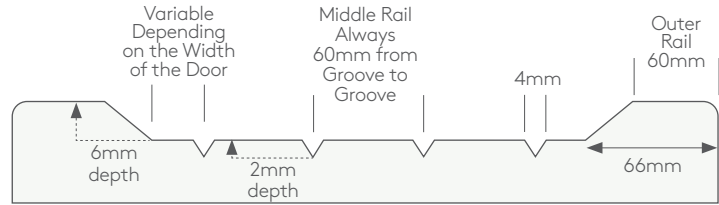
Profile available with 3 external edge options; square, 2mm or 6mm. Diagrams not shown to scale or with exact mould detail. Frame image shown to illustrate shape detail only – not reflective of colours available. Dimension and profile specifications outlined to assist with order placement.

Series 3: Pocket Routed Profiles

Profile: Settler Planked



Cross Section Diagram

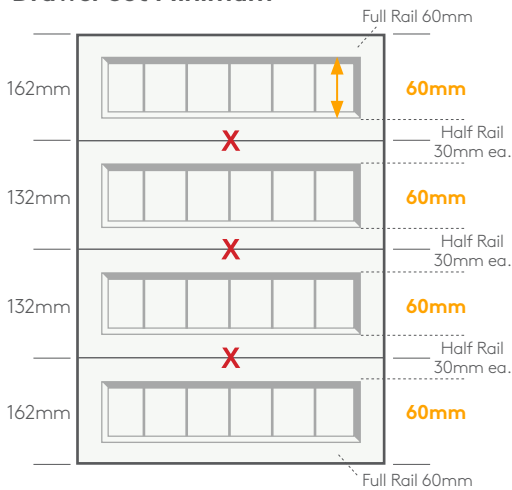


Door minimum

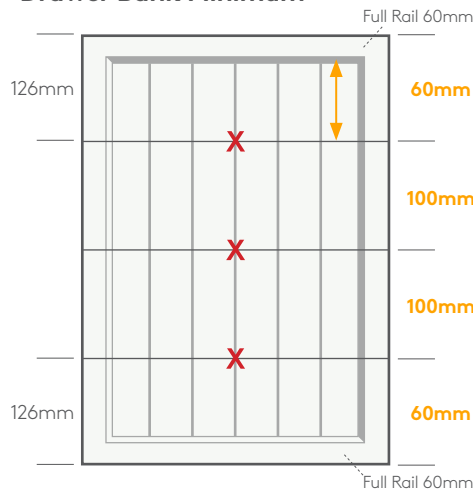
Min Height: 182mm

Min Width: 182mm

Drawer Set Minimum



Drawer Bank Minimum

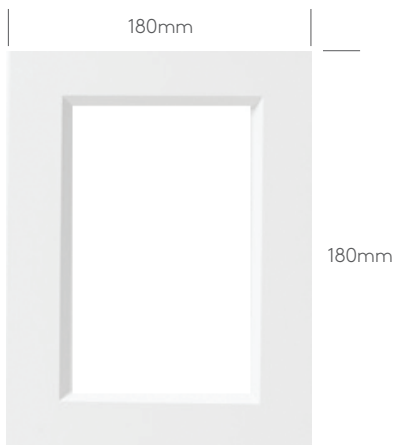


Where **X** appears in Drawer Set, if not specified, Between-Drawer-Edging will be supplied as Square edge. Edge override option not available for Drawer Bank. Drawer gaps standard 2mm allowance.

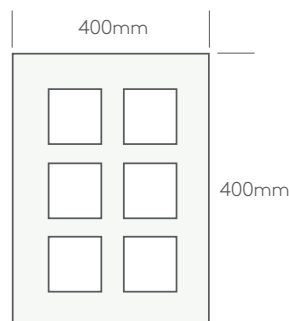
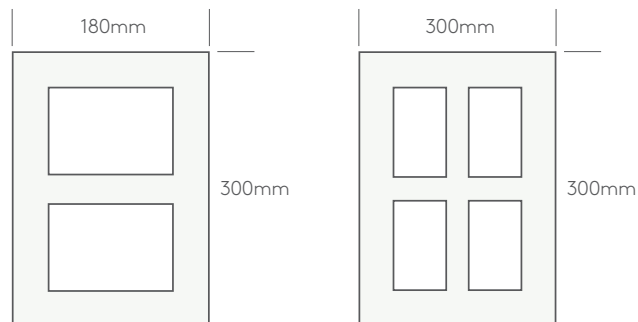
Where height dimension is stated in **orange**, this indicates space available for door hardware.

Where **X** appears in Drawer Set, Between-Drawer-Rails are automatically half rails. For full rails, simply order as individual panels.

Frame Type: Settler



Minimum Dimensions:



Profile available with 3 external edge options; square, 2mm or 6mm. Diagrams not shown to scale or with exact mould detail. Frame image shown to illustrate shape detail only – not reflective of colours available. Dimension and profile specifications outlined to assist with order placement.

Series 3: Pocket Routed Profiles

Profile: **Nouvo**



Cross Section Diagram

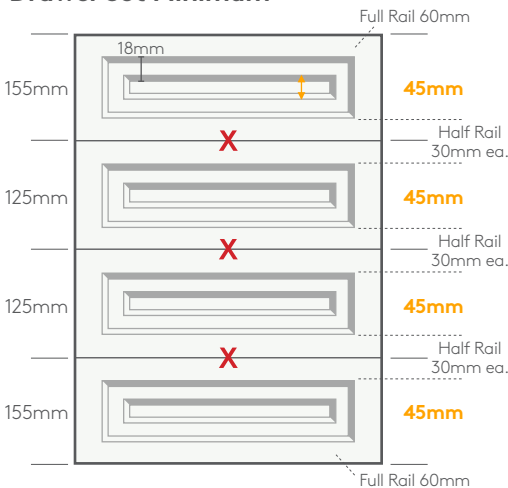


Door minimum

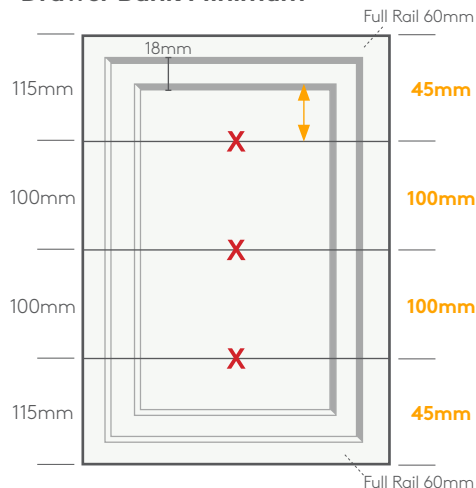
Min Height: 190mm

Min Width: 190mm

Drawer Set Minimum



Drawer Bank Minimum

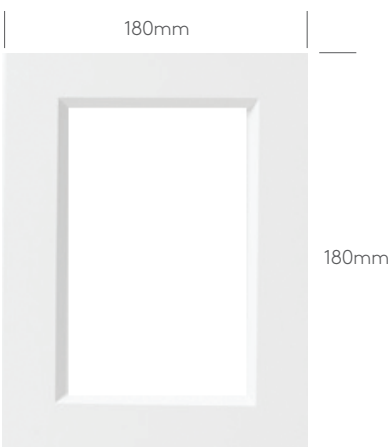


Where **X** appears in Drawer Set, if not specified, Between-Drawer-Edging will be supplied as Square edge. Edge override option not available for Drawer Bank. Drawer gaps standard 2mm allowance.

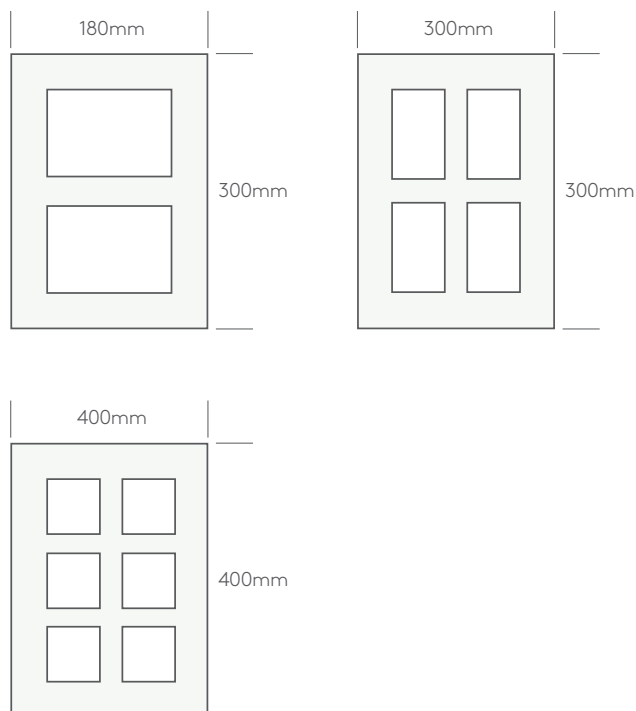
Where height dimension is stated in **orange**, this indicates space available for door hardware.

Where **X** appears in Drawer Set, Between-Drawer-Rails are automatically half rails. For full rails, simply order as individual panels.

Frame Type: Settler



Minimum Dimensions:



Profile available with 3 external edge options; square, 2mm or 6mm. Diagrams not shown to scale or with exact mould detail. Frame image shown to illustrate shape detail only – not reflective of colours available. Dimension and profile specifications outlined to assist with order placement.

Series 3: Pocket Routed Profiles

Profile: Nostalgia Square



Cross Section Diagram

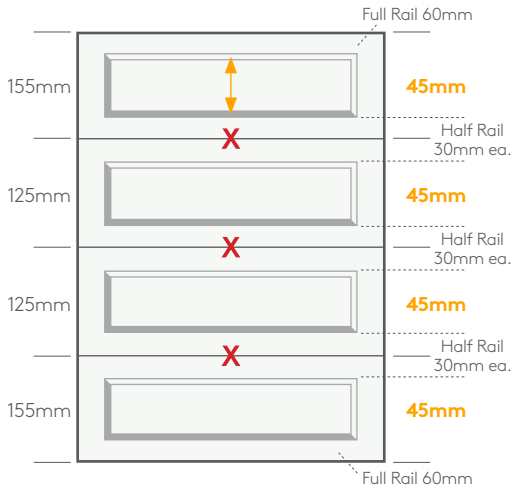


Door minimum

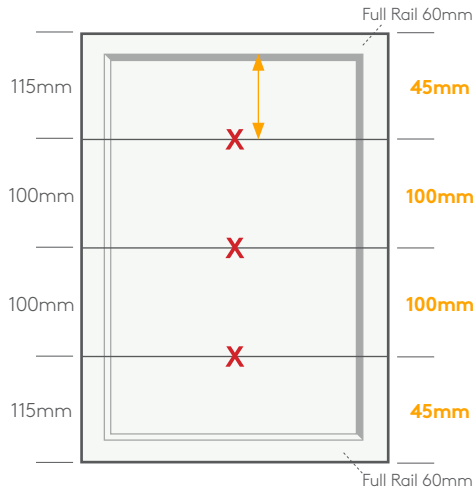
Min Height: 190mm

Min Width: 190mm

Drawer Set Minimum



Drawer Bank Minimum



Where **X** appears in Drawer Set, if not specified, Between-Drawer-Edging will be supplied as Square edge. Edge override option not available for Drawer Bank. Drawer gaps standard 2mm allowance.

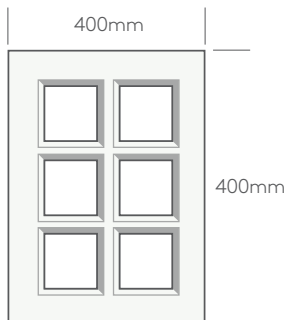
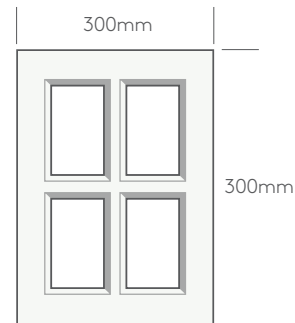
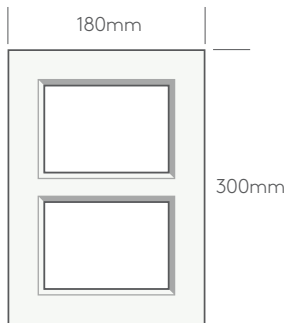
Where height dimension is stated in **orange**, this indicates space available for door hardware.

Where **X** appears in Drawer Set, Between-Drawer-Rails are automatically half rails. For full rails, simply order as individual panels.

Frame Type: Colonial Square



Minimum Dimensions:



Profile available with 3 external edge options; square, 2mm or 6mm. Diagrams not shown to scale or with exact mould detail. Frame image shown to illustrate shape detail only – not reflective of colours available. Dimension and profile specifications outlined to assist with order placement.

Series 3: Pocket Routed Profiles

Profile: Nostalgia Soft Arch



Cross Section Diagram

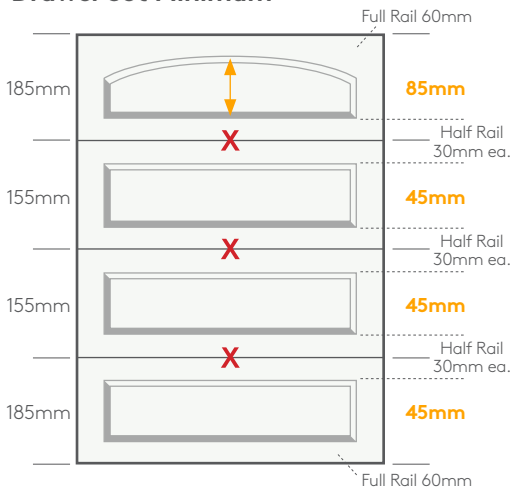


Door minimum

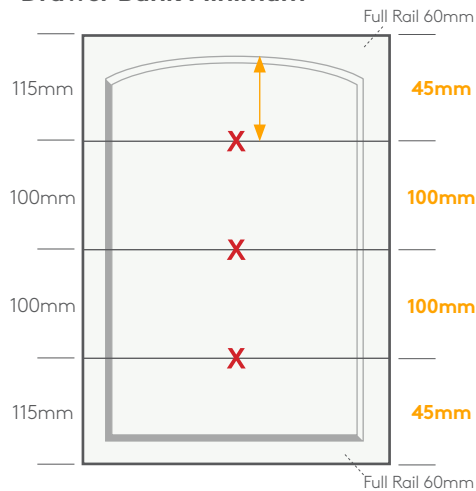
Min Height: 220mm

Min Width: 220mm

Drawer Set Minimum



Drawer Bank Minimum



Where **X** appears in Drawer Set, if not specified, Between-Drawer-Edging will be supplied as Square edge. Edge override option not available for Drawer Bank. Drawer gaps standard 2mm allowance.

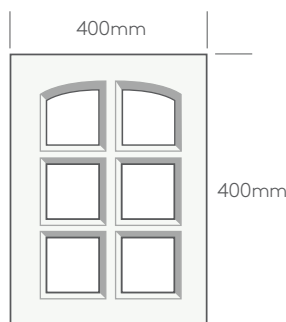
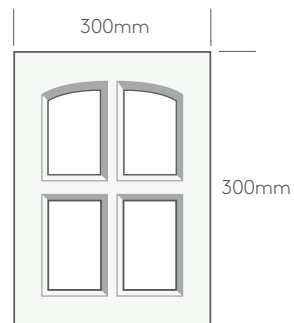
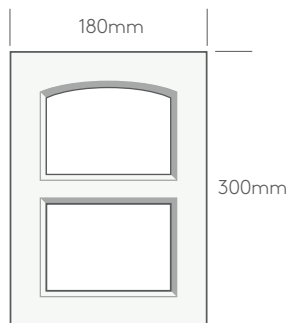
Where height dimension is stated in **orange**, this indicates space available for door hardware.

Where **X** appears in Drawer Set, Between-Drawer-Rails are automatically half rails. For full rails, simply order as individual panels.

Frame Type: Nostalgia Soft Frame



Minimum Dimensions:



Profile available with 3 external edge options; square, 2mm or 6mm. Diagrams not shown to scale or with exact mould detail. Frame image shown to illustrate shape detail only – not reflective of colours available. Dimension and profile specifications outlined to assist with order placement.

Ordering Information

FormWrap® Doors drawer set ordering formula for drawers with equal patterns

Matching drawer sets and drawer banks are supplied for the range of FormWrap® Door designs available.

When ordering required drawer front sizes, it is important to allow for the required gap between drawers.

We recommend a standard gap of 2mm be allowed for.

Drawer heights should be rounded to the nearest mm.

Below is the formula to use for calculating drawer set fronts for routed panels of the same size.

Four Drawer Set

Overall drawer set height minus **total of gaps** between drawers
eg. 717mm - 6mm = 711mm

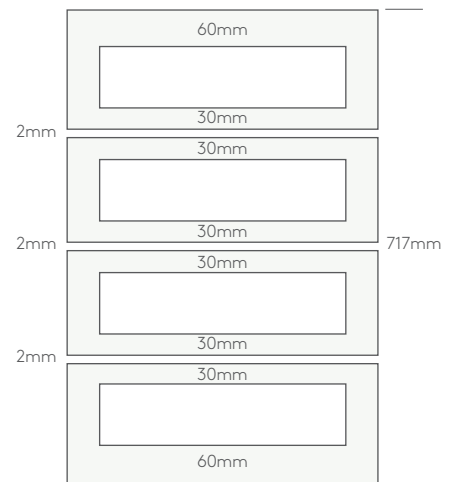
Minus 300 (**total of rails**)
eg. 711mm - 300mm = 411mm

411mm ÷ 4 (**no. of drawers**)
= 103mm i.e. **centre panel size**

Top & bottom drawers
103mm (**centre panel size**)
+ 90mm (**full + half rail**) = 193mm

Middle drawers
103mm (**centre panel size**)
+ 60mm (**two half rails**) = 163mm

Overall height check = The four drawer heights plus the gaps between drawers must add up to the overall height, including gaps, which in the example shown is 717mm. If rounding of measurements causes overall size to be out by 1mm, adjust one drawer front by 1mm if necessary.



Three Drawer Set

Overall drawer set height minus **total of gaps** between drawers
eg. 717mm - 4mm = 713mm

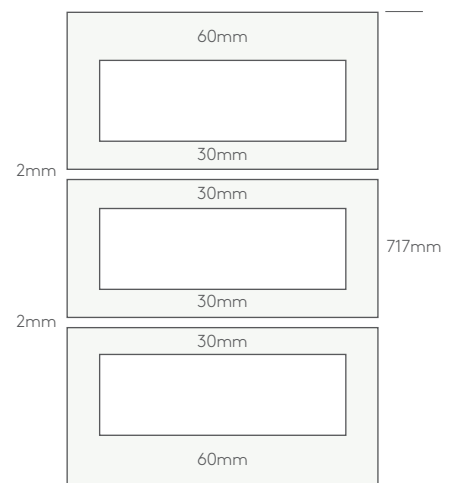
Minus 240 (**total of rails**)
eg. 713mm - 240mm = 473mm

473mm ÷ 3 (**no. of drawers**)
= 158mm i.e. **centre panel size**

Top & bottom drawers
158mm (**centre panel size**)
+ 90mm (**full + half rail**) = 248mm

Middle drawers
158mm (**centre panel size**)
+ 60mm (**two half rails**) = 218mm

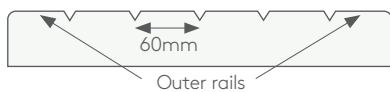
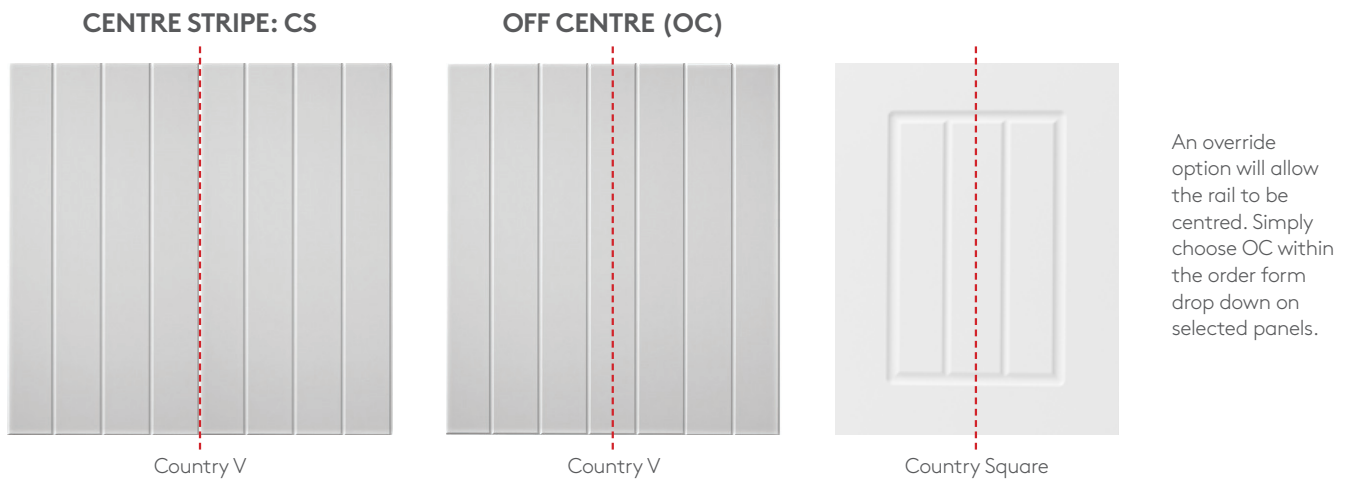
Overall height check = The three drawer heights plus the gaps between drawers must add up to the overall height, including gaps, which in the example shown is 717 mm. If rounding of measurements causes overall size to be out by 1mm, adjust one drawer front by 1mm if necessary. Please note, this does not take into consideration the internal mould dimensions which are outlined on each corresponding profile page.



Profiles with vertical rails

The default setting will produce the profile with the stripe centred hence Centre Stripe. The other stripes will be spaced at set distances until outer edges are reached. The 2 outer rail widths may therefore vary.

Profiles include: Country V, Newport, Country Square, Homestead and Settler Planked.



Please note: this is only a guide and will not guarantee outer rails will be a variable width as rails are 60mm in width from groove to groove and is dependent on the total panel width.

If you need the rails to be even widths end-to-end, request a copy of the **Vertical Rail Calculator** to assist with additional guidance. Example shown below.

Utilising the Vertical Rail Calculator to adjust rail widths^

Default rail width	60		
Round up	8	step 2: c'	
Round Down	7		
step 1: ↓	↑ = initial number of rails ↓		
<i>If initial number of rails is not a whole number indicate one of below override rail widths for your panel(s)</i>			
Full Panel Width	Initial number of rails	Round Up: Adjusted Rail width	Round Down: Adjusted Rail width
430	7.17	53.8	61.4
		step 3: c'	

- In this example, your total panel width is 430. You can adjust the rail width to 61.4mm to allow for 7 total (even) rails, with the OC option, without having variable outer rails
- ^ this rail adjustment option is **only** available for Country V and Newport profiles in FormWrap.on each side of the centre rail. E.G panel is 420mm wide (divide by 60) = 7.

How to determine which option is best using Country V as an example:

Divide the total width of the panel by 60 (20 for Newport);

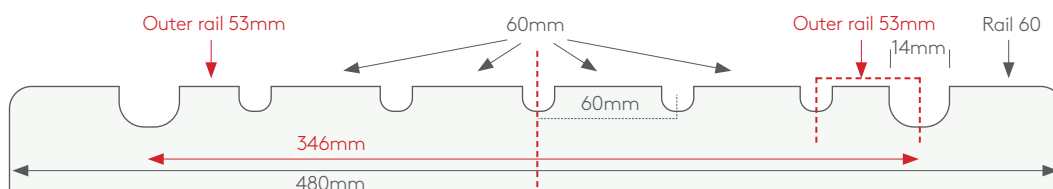
- Result = whole even number (no decimal places). Try option CS (centre stripe). The stripe will commence in the centre with an equal number of rails on each side. E.G panel is 480mm wide (divide by 60) = 8.
- Result = whole odd number (no decimal places). Try option OC (off centre), producing a rail in the centre instead of the stripe, with an equal number of rails on each side of the centre rail. E.G panel is 420mm wide (divide by 60) = 7.

In the instance of Country Square (Homestead or Settler Planked):

- Reduce total panel width by subtracting the outer rails and half of the internal mould to leave only the width of the vertical rail section of the panel. i.e. 480mm total panel width minus (60+7+7+60 = 134) as per cross section diagram below.

Vertical rail section = 346mm. 346 (divide by 60) = 5.8.

For any result with a .5 and above, or an even number, try option CS (centre stripe). In this example, the vertical rails will have 4 rails at 60mm and the two outer rails will be ~53mm each.



Please note, above is only a guide. Refer to the following pages for rail dimensions within the cross sectional diagram for further assistance.

How to Order Drawers

This simple guide will further assist you in placing orders of Drawer Sets and Drawer Banks via the PDF order form. The following questions drive the direction of your entire order*. Drawers are therefore produced accordingly.

A new form must be completed for each different profile and colour (all doors and panels are 18mm thick).

Door Profile

Colour

Finish

Outer Edge Profile

Please note: outer edge profile will be applied to entire order, unless otherwise specified.

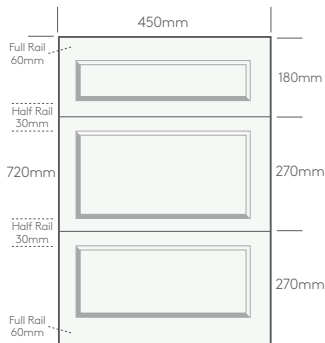
I have read and accept the Terms & Conditions of Supply

Ensure each drawer dimension is specified separately beginning from the top, working your way to the bottom drawer. This removes any room for error during production.

Drawer Sets

Qty	Height (mm)	Width (mm)	Square Edges Override				Drawer Group No.	Drawer Set or Bank (S or B)	Double Sided
			Left	Right	Top	Bottom			
1	180	450	<input type="checkbox"/>	<input type="checkbox"/>	<input type="checkbox"/>	<input type="checkbox"/>	1	S <input type="radio"/> B <input type="radio"/>	<input type="checkbox"/>
2	270	450	<input type="checkbox"/>	<input type="checkbox"/>	<input type="checkbox"/>	<input type="checkbox"/>	1	S <input type="radio"/> B <input type="radio"/>	<input type="checkbox"/>
3	270	450	<input type="checkbox"/>	<input type="checkbox"/>	<input type="checkbox"/>	<input type="checkbox"/>	1	S <input type="radio"/> B <input type="radio"/>	<input type="checkbox"/>
4	240	450	<input type="checkbox"/>	<input type="checkbox"/>	<input type="checkbox"/>	<input type="checkbox"/>	2	S <input type="radio"/> B <input type="radio"/>	<input type="checkbox"/>
5	240	450	<input type="checkbox"/>	<input type="checkbox"/>	<input type="checkbox"/>	<input type="checkbox"/>	2	S <input type="radio"/> B <input type="radio"/>	<input type="checkbox"/>
6	240	450	<input type="checkbox"/>	<input type="checkbox"/>	<input type="checkbox"/>	<input type="checkbox"/>	2	S <input type="radio"/> B <input type="radio"/>	<input type="checkbox"/>

Drawer Set: Group 1

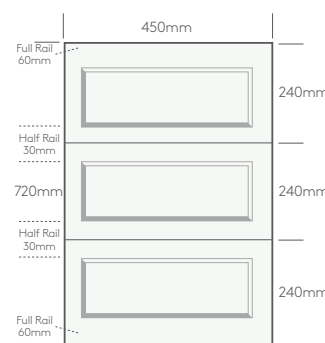


Charged as individual panels:

- 1 panel @ 180x450
- 1 panel @ 270x450
- 1 panel @ 270x450

In this example, panels in rows 2 and 3 are the same size. You can also order these panels within one row by stating a quantity of 2. Remember, this will assume the panels are positioned in consecutive order within the group.

Drawer Set: Group 2



Charged as individual panels:

- 1 panel @ 240x450
- 1 panel @ 240x450
- 1 panel @ 240x450

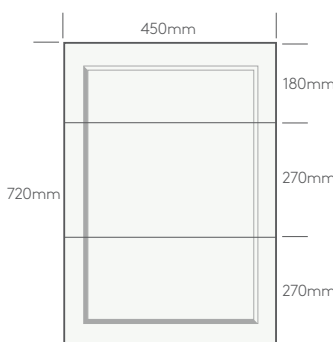
In this example, all panels are the same size. You can therefore add them within one row and place a quantity of 3.

Remember to consider 2mm drawer gaps in Overall Drawer Height when installed. Above example determines the height on which the panel(s) is charged.

Drawer Sets

Qty	Height (mm)	Width (mm)	Square Edges Override				Drawer Group No.	Drawer Set or Bank (S or B)	Double Sided
			Left	Right	Top	Bottom			
1	180	450	<input type="checkbox"/>	<input type="checkbox"/>	<input type="checkbox"/>	<input type="checkbox"/>	1	S <input type="radio"/> B <input type="radio"/>	<input type="checkbox"/>
2	270	450	<input type="checkbox"/>	<input type="checkbox"/>	<input type="checkbox"/>	<input type="checkbox"/>	1	S <input type="radio"/> B <input type="radio"/>	<input type="checkbox"/>
3	270	450	<input type="checkbox"/>	<input type="checkbox"/>	<input type="checkbox"/>	<input type="checkbox"/>	1	S <input type="radio"/> B <input type="radio"/>	<input type="checkbox"/>
4	240	450	<input type="checkbox"/>	<input type="checkbox"/>	<input type="checkbox"/>	<input type="checkbox"/>	2	S <input type="radio"/> B <input type="radio"/>	<input type="checkbox"/>
5	240	450	<input type="checkbox"/>	<input type="checkbox"/>	<input type="checkbox"/>	<input type="checkbox"/>	2	S <input type="radio"/> B <input type="radio"/>	<input type="checkbox"/>
6	240	450	<input type="checkbox"/>	<input type="checkbox"/>	<input type="checkbox"/>	<input type="checkbox"/>	2	S <input type="radio"/> B <input type="radio"/>	<input type="checkbox"/>

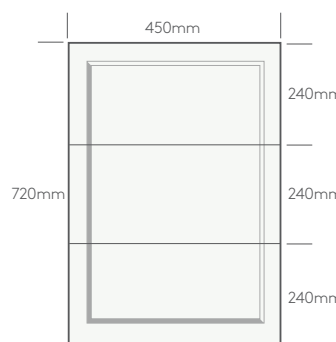
Drawer Set: Group 1



Charged as one panel:

- 1 panel @ 720x450
- + 1 x surcharge

Drawer Set: Group 2



Charged as one panel:

- 1 panel @ 720x450
- + 1 x surcharge

How to Order Return Wrap Panels

This simple guide will assist you in placing orders of Return Wrap Panels via the PDF order form. The following questions drive the direction of your entire order*. Panels are therefore produced accordingly.

A new form must be completed for each different profile and colour (all doors and panels are 18mm thick).

Door Profile

Colour

Finish

Outer Edge Profile

Please note: outer edge profile will be applied to entire order, unless otherwise specified.

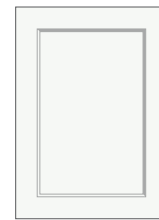
I have read and accept the Terms & Conditions of Supply

Panels (18mm thick)

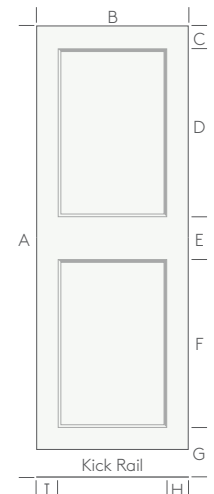
Ensure each rail dimension is specified if choosing to 'match to door profile selected' whereby a routed profile is being produced. This removes any room for error during production.

Tail Panel Double Profile	Panel 1 mm	Panel 2 mm	Panel 3 mm	Panel 4 mm	Panel 5 mm	Panel 6 mm
Profile Required	<input type="radio"/> Classic Match to Door	<input type="radio"/> Classic Match to Door	<input type="radio"/> Classic Match to Door	<input type="radio"/> Classic Match to Door	<input type="radio"/> Classic Match to Door	<input type="radio"/> Classic Match to Door
Note: Match to door means match to Door Profile selection on Page 1. For Classic disregard C to I	QTY	1	2			
	A	2700	1272			
	B	818	900			
	C		55			
	D		417			
	E		56			
	F		417			
	G		55			
	H		55			
	I		55			
Square Edge Override	T B L R	T B L R	T B L R	T B L R	T B L R	T B L R
Double Sided	<input type="checkbox"/>	<input type="checkbox"/>	<input type="checkbox"/>	<input type="checkbox"/>	<input type="checkbox"/>	<input type="checkbox"/>
Return Panel	Type Length	Type Length	Type Length	Type Length	Type Length	Type Length
	OC 118	OC 118	OC 118	OC 118	OC 118	OC 118

Classic Panel (Tall or Short)

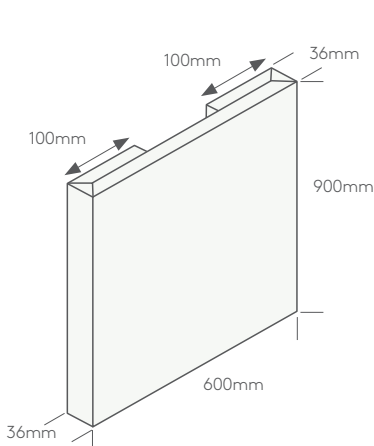
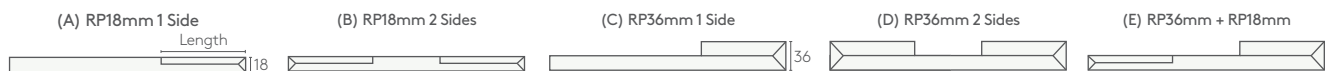


Routed Tail Panel



G will always default to 55mm unless otherwise specified.

Return Wrap Panels



N.B. Not suitable for shadow line benchtop specifications. Not available for Super Matte finish.

Panel 1: Type (A) RP18mm 1 side wrap around

- Assume application is for Fridge Panel with Classic profile option.
- In the table, 'A' must always be stated as the height. Therefore, side A will be wrapped around creating a final 18mm thickness with 100mm length wrapped onto the back of one side of the panel.
- Final facing height and width = 2700x700mm
- Panel however, needs to be ordered as 'A' 2700mm (height) x 'B' 100mm+18mm+700mm = 818mm (width)

Panel is charged as 2700x818mm Classic + 1x Return Wrap surcharge.

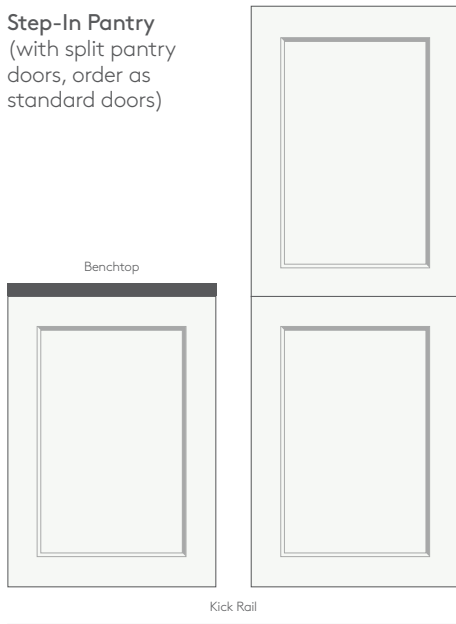
Panel 2: Type (D) RP36mm 2 side wrap around

- Assume application is for Island Bench end panel with Match to Door (Settler) profile option.
- In the table, 'A' must always be stated as the height. Therefore, side A will be wrapped around creating a final 36mm thickness with 100mm length wrapped onto the back of both sides of the panel.
- Final facing height and width = 900x1272mm
- Panel however, needs to be ordered as 'A' 900mm (height) x 'B' 100mm+36mm+1000mm+36mm+100mm = mm (width)

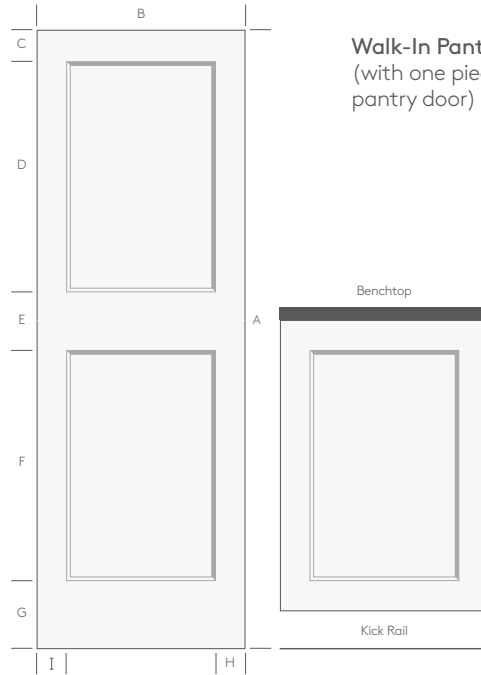
Panel is charged as 1272x900mm Settler + 2x Return Wrap surcharge.

Pantry Doors

Step-In Pantry
(with split pantry doors, order as standard doors)



Walk-In Pantry
(with one piece pantry door)



Note: Pantry doors are best ordered as split doors as stated on page 4. Alternatively, a single panel can be ordered but must include a central rail which should not be less than 60mm, preferably 120mm. Claims arising from dimensional bowing, twisting or warpage due to the omission of either a central rail or split door construction, are not covered under warranty.

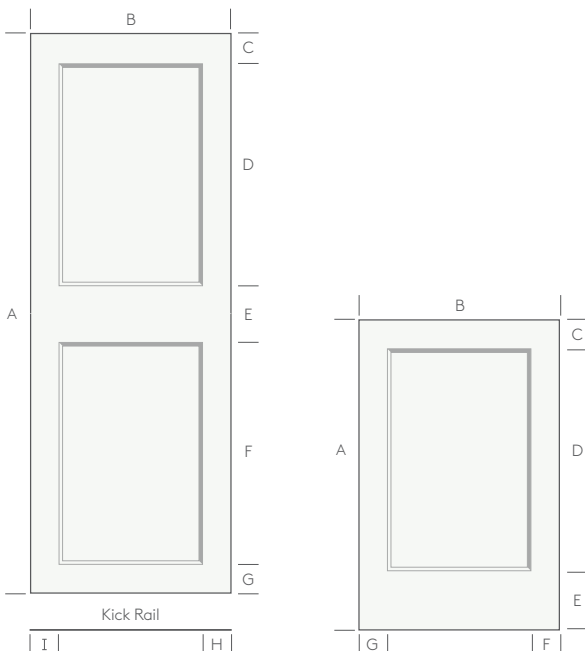
When Ordering Pantry Doors

- For Classic and Soft Bevelled designs, dimensions A & B are required. For all other designs, all dimensions shown are required.
- Standard Door Rail is 60mm. If standard rails are used, C, E, G, H & I will all be 60mm.
- Some prefer to double the middle rail E.
- If a Walk-In pantry, include the kick rail height less a couple mm for floor clearance in dimension G.
- If to match base cupboard doors, subtract top and bottom rails (120mm total) from base door height to calculate dimension F. Dimension D will then be dimension A less the sum of dimension C, E, F & G.
- The sum of dimension C, D, E, F & G must add up to dimension A.

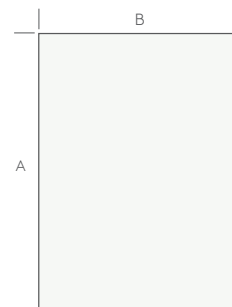
End Panels

Available in Classic and all other door profiles.

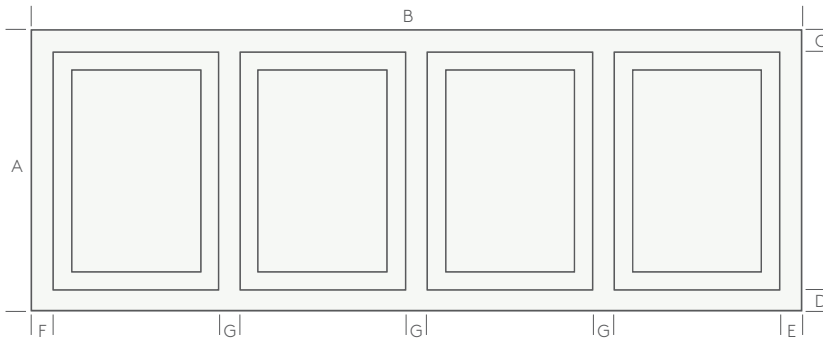
Routed



Classic



Barback



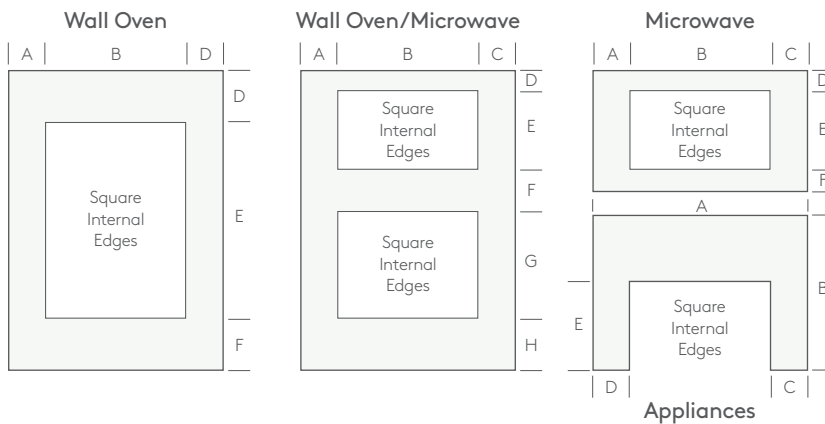
Be sure to complete measurements A-G. Example drawing of a 4 face pattern shown above. Internal stiles (G dimension) must always be equal.

When Ordering Profiled Panels

- Nominate no. of face patterns required
- Nominate height and width required (A & B)
- For other than Classic and Bevelled profiles, nominate C, D, E, F and G dimension (standard = 60mm)
- Nominate square edges where required (e.g. left, right, top, bottom)
- Nominate single width (60mm) or double width (120mm) stiles.
- For pricing, divide width by no. of face patterns (e.g. four face patterns, price as 4 individual doors).

Profiled Panel		Panel 1 mm	Panel 2 mm	Panel 3 mm								
Per Panel	QTY											
	No. of Face Patterns											
	A											
	B											
	C											
	D											
	E											
	F											
	G											
	Override Outer Edge	T	B	L	R	T	B	L	R	T	B	L
Square												

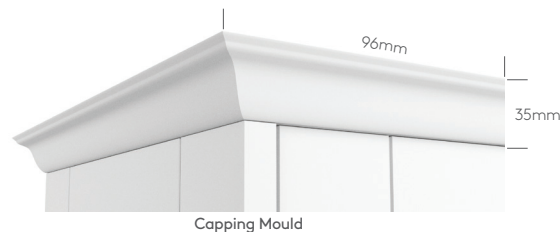
Wall Oven, Microwave, Appliance Frames



- All appliance frames are vinyl pressed on face and external edges. Internal edges are supplied as shown.
- External edges are the same as the door profile ordered, unless square edge LRTB is indicated.
- Wall Oven and Microwave Frames need dimensions A to H inclusive.
- Appliance frames require A to E inclusive.
- Wall oven/microwave frame needs dimensions A-L inclusive.
- Microwave and appliance frames have 20mm radius internal corners.

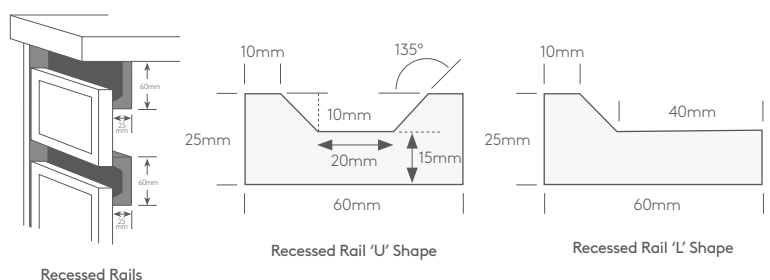
Ordering Capping/Cornice Moulds

Moulds are available in 3050mm length ONLY



Accessories also include:

- Recessed Rail (L and U shape): 2400mm length
- Heat Deflector (straight and L shape)



ColourTech® Doors and Panels



Laminex® ColourTech® Doors and Panels

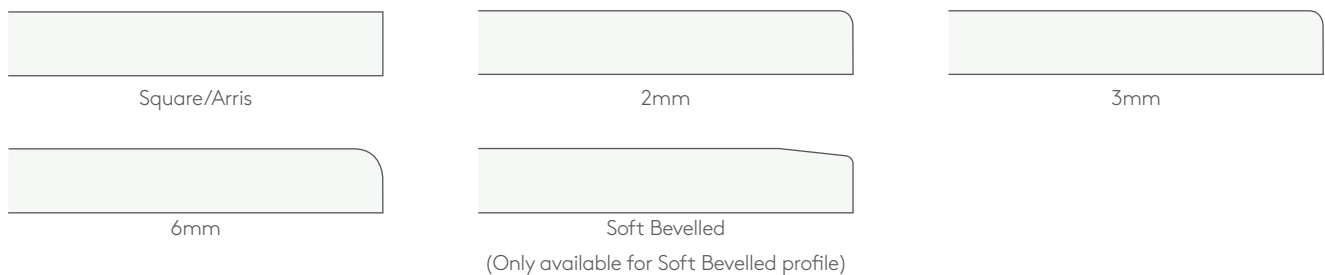
Coated in technologically advanced 2 Pac polyurethane paint, ColourTech Doors and Panels look stunning, are easy to clean and offer extraordinary moisture resistance.

General Information

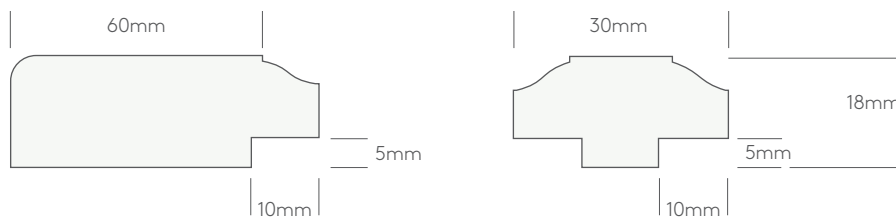
- Available in different flat-face and routed profiles, in solid colours in three finishes; Texture, Satin or Gloss.

Door Edge Details

The full range is available with 4 external edge profiles options. The internal edge profile of door frames for glazing are supplied in the corresponding moulded profile and available in 1, 2, 4 or 6 pane options. Glass not included.



Glazed Frame Bar Rebates



Glazing Frame procedure

- Rebate supplied sanded and primed.
- Fit the glass into the glazing rebate with silicone.

Additional Information

ColourTech® Doors Touch Up Kit

Contains:

- 1 x 50ml Paint
- 1 x 15ml Cleaning Solvent
- 1 x Touch Up Brush
- 1 x 25ml Hardener
- 1 x 60ml Cup
- Instruction Sheet

ColourTech® Doors 1 Litre Paint Kit

Contains:

- Paint 500ml
- Hardener 500ml

Hinge Hole Drilling

- Only available for Hettich and Blum standard hinge types (bi-fold not available). Longer lead times will apply. Please contact Customer Service to confirm availability
- Refer to pages DesignEdge 10-12 as a guide on how to specify on order form

Dimensions and Reference Guide

This simple guide outlines the minimum and maximum sizes available for products within the ColourTech® offer.

Doors, Drawers and Panels (18mm thick) with 60mm rail widths (4 sides). Half Rails = 25mm.

	Profile	Doors (max width of 700mm for panels with a height of 3000mm)				Drawer Sets (width as per door)			Drawer Banks (width as per door)			Pantry Doors, Filler & End Panels				Barbacks and Horizontal Panels			
		Min. H	Max. H	Min. W	Max. W	Top	Middle	Bottom	Top	Middle	Bottom	Min. H	Max. H	Min. W	Max. W	Min. H	Max. H	Min. W	Max. W
						Min. H	Min. H	Min. H	Min. H	Min. H									
Flat Face	Classic	100	3000	100	1200				100	100	100	100	3000	100	1200	100	1200	100	3000
	Soft Bevelled Edge	160	3000	85	1200				160	160	160			160	3000	85	1200	160	1200
Face Routed	(Deep) Reverse Bevelled	110	3000	50	1200	110	110	110						110	3000	50	1200	110	1200
	Reverse Finger Pull	110	3000	50	1200	110	110	110						110	3000	50	1200	110	1200
	Country V	85	3000	160	1200	85	85	85	85	85	85	85	3000	160	1200	85	1200	160	3000
	Newport	85	3000	160	1200	85	85	85	85	85	85	85	3000	160	1200	85	1200	160	3000
	New Homestead	190	3000	190	1200	155	120	155	125	100	125	190	3000	190	1200	190	1200	190	3000
	New Country Square	190	3000	200	1200	155	120	155	115	100	115	190	3000	200	1200	190	1200	190	3000
	Colonial Square	210	3000	210	1200	175	140	175	130	100	130	210	3000	210	1200	210	1200	210	3000
	Metro	145	3000	160	1200	115	100	115	110	100	110	145	3000	160	1200	145	1200	160	3000
	Chicago	192	3000	205	1200	162	127	162	120	100	120	192	3000	205	1200	192	1200	205	3000
	Pocket	Shaker	200	3000	200	1200	165	130	165	105	100	105	200	3000	200	1200	200	1200	200
Settler		200	3000	200	1200	165	130	165	105	100	105	200	3000	200	1200	200	1200	200	3000
Settler Planked		210	3000	210	1200	175	140	175	110	100	110	210	3000	210	1200	210	1200	210	3000
Nostalgia Square		205	3000	205	1200	160	130	160	120	100	120	205	3000	205	1200	205	1200	205	3000
Nostalgia (soft) Arch		231	3000	231	1200	200	130	160	125	100	120	231	3000	231	1200	231	1200	231	3000
Nouvo		242	3000	242	1200	202	167	202	120	100	120	242	3000	242	1200	242	1200	242	3000

Frames (18mm thick)

Profile	1 Pane Frame				4 Pane Frame			
	Min. H	Max. H	Min. W	Max. W	Min. H	Max. H	Min. W	Max. W
Classic, Shaker and Settler	275	1650	174	1000	385	1650	280	1000
Soft Bevelled	275	1650	174	1000	385	1650	280	1000
Colonial/Nostalgia Square	295	1650	195	1000	405	1650	300	1000
Nostalgia Soft Arch	295	1650	235	1000	405	1650	300	1000

Profile	2 Pane Frame				6 Pane Frame			
	Min. H	Max. H	Min. W	Max. W	Min. H	Max. H	Min. W	Max. W
Classic, Shaker and Settler	385	1650	174	1000	475	1650	280	1000
Soft Bevelled	385	1650	174	1000	475	1650	280	1000
Colonial/Nostalgia Square	405	1650	195	1000	495	1650	300	1000
Nostalgia Soft Arch	405	1650	235	1000	495	1650	300	1000

Appliance Frames			
Min. H	Max. H	Min. W	Max. W
195	1650	135	1000

* Minimum appliance frame cut out: 155 (h) x 55 (w) mm

Height & Width Ranges

Height Ranges (mm)	Width Ranges (mm)
85*-200	85*-300
201-400	301-400
401-600	401-550
601-750	551-650
751-900	651-800
901-1150	801-1000
1151-1400	1001-1100
1401-1650	1101-1200
1651-1850	
1851-2100	
2101-2400	
2401-2700	
2701-3000	

* Refer to individual minimums.

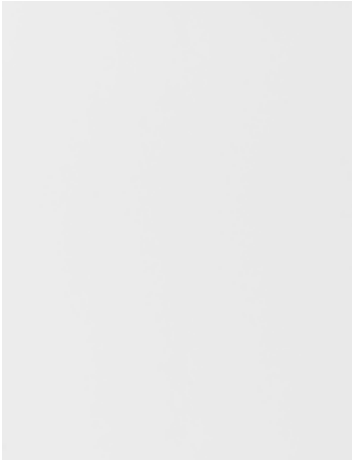
Recommendations for smaller widths/heights

In the case of drawers and infills, should the size of doors required be smaller than the profiles minimum height and width, we recommend the use of the Classic Profile Door.

Note: All dimensions stated are in mm

Series 1: Flat Face Profiles

Profile: **Classic**



Door minimum

Min Height: 100mm

Min Width: 100mm

Drawer Bank Minimum



Where **X** appears in Drawer Bank, Between-Drawer-Edging will be supplied as Square edge. Drawer gaps standard 2mm allowance.

No drawer sets available, simply order as individual panels.

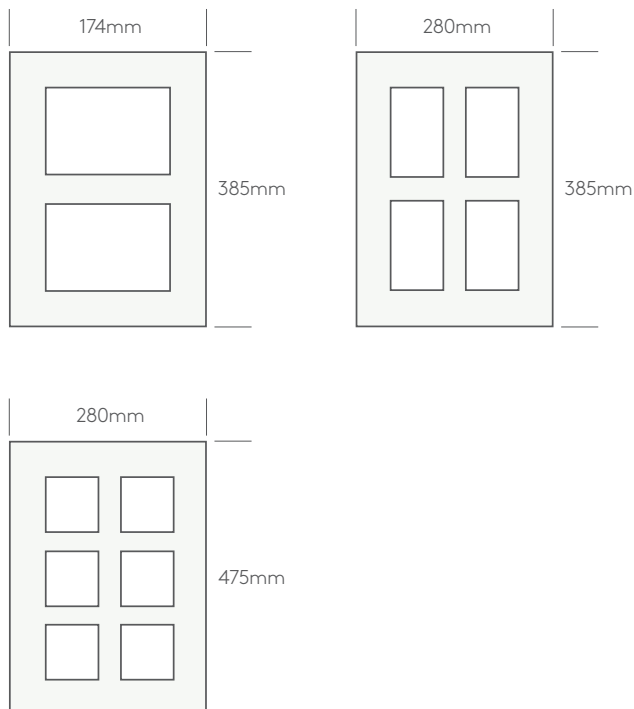
Where height dimension is stated in **orange**, this indicates space available for door hardware.

Frame Type: Classic



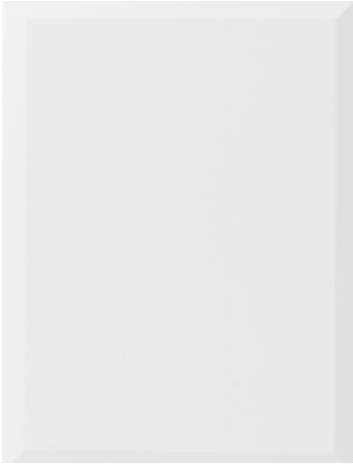
Profile available with 4 external edge options; square arrised, 2mm, 3mm or 6mm. Diagrams not shown to scale or with exact mould detail. Frame image shown to illustrate shape detail only – not reflective of colours available. Dimension and profile specifications outlined to assist with order placement.

Minimum Dimensions:

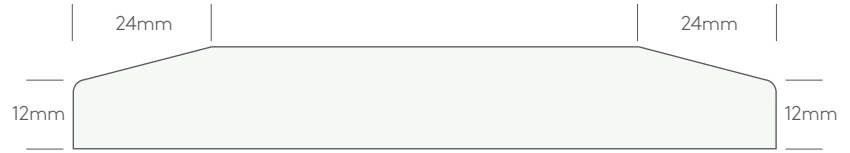


Series 1: Flat Face Profiles

Profile: Soft Bevelled



Cross Section Diagram

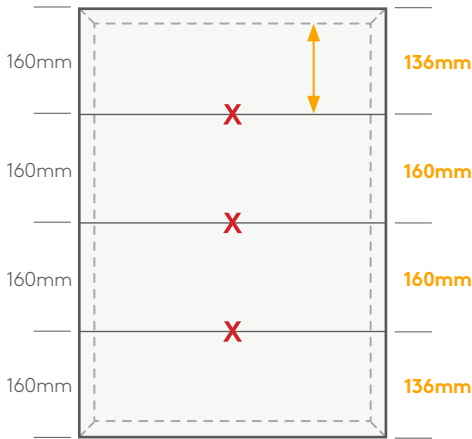


Door minimum

Min Height: 160mm

Min Width: 85mm

Drawer Bank Minimum

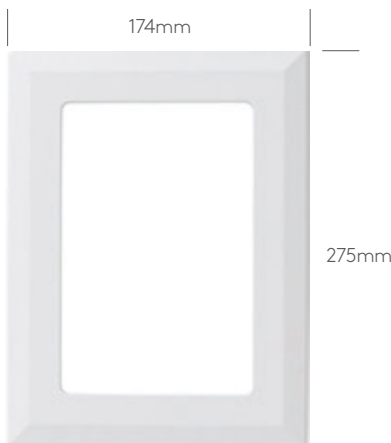


Where **X** appears in Drawer Bank, Between-Drawer-Edging will be supplied as Square edge. Drawer gaps standard 2mm allowance.

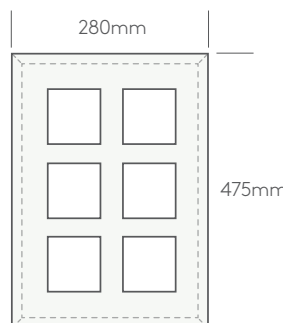
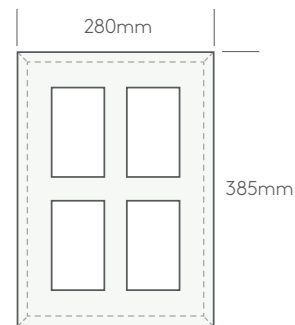
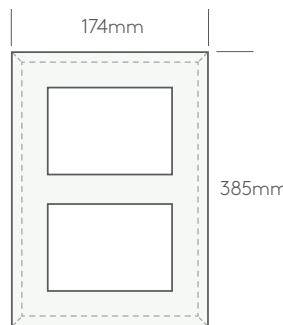
No drawer sets available, simply order as individual panels.

Where height dimension is stated in **orange**, this indicates space available for door hardware.

Frame Type: Soft Bevelled



Minimum Dimensions:



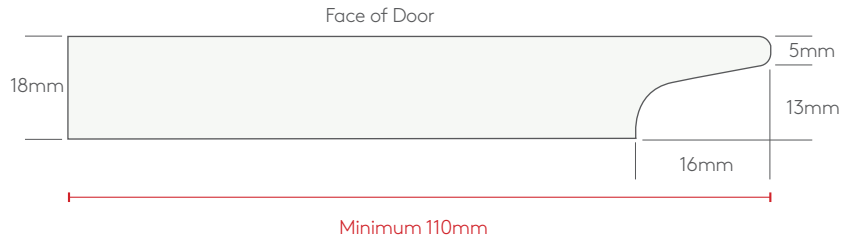
Profile only available with soft bevelled external edge profile. Diagrams not shown to scale or with exact mould detail. Frame image shown to illustrate shape detail only – not reflective of colours available. Dimension and profile specifications outlined to assist with order placement.

Series 2: Recessed Handle

Profile: Reverse Finger Pull (formerly Reverse Bevelled)



Cross Section Diagram



Door minimum with Finger Pull on top/bottom

Min Height: 110mm
Min Width: 50mm

Door minimum with Finger Pull on left/right

Min Height: 50mm
Min Width: 110mm

Drawer Set Minimum



To achieve a Drawer Set, please order as individual panels to ensure finger pull feature on each panel. Where **X** appears in Drawer Set diagram, Between-Drawer-Edging will be supplied as per edge profile chosen on order form.

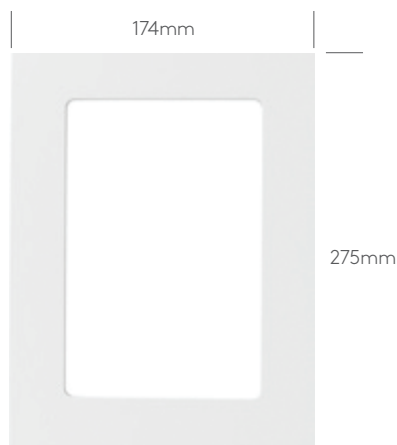
Drawer gaps standard 2mm allowance.

Where height dimension is stated in **orange**, this indicates space available for door hardware.

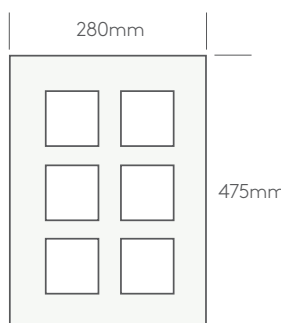
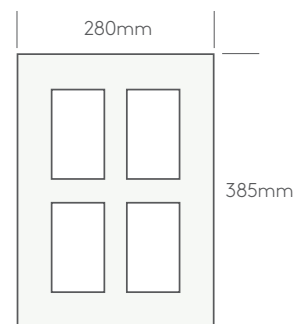
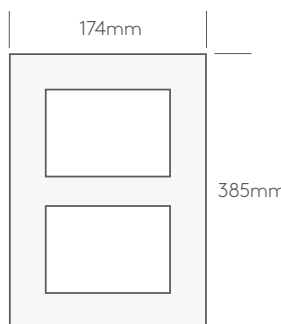
No drawer banks available.

Note: Position of bevel will default to top if not specified.

Frame Type: Classic



Minimum Dimensions:



Profile available with square arised, 2mm or 3mm outer edge. Recessed handle featured on back of door/panel with a flat face on the front. Finger pull feature not available on frames, only available as Classic square. Diagrams not shown to scale or with exact mould detail. Frame image shown to illustrate shape detail only – not reflective of colours available. Dimension and profile specifications outlined to assist with order placement.

Series 2: Recessed Handle

Profile: Reverse Bevelled (formerly Deep Reverse Bevelled)



Cross Section Diagram



Door minimum with Bevel on top/bottom

Min Height: 110mm

Min Width: 50mm

Door minimum with Bevel on left/right

Min Height: 50mm

Min Width: 110mm

Drawer Set Minimum



To achieve a Drawer Set, please order as individual panels to ensure finger pull feature on each panel. Where **X** appears in Drawer Set diagram, Between-Drawer-Edging will be supplied as per edge profile chosen on order form.

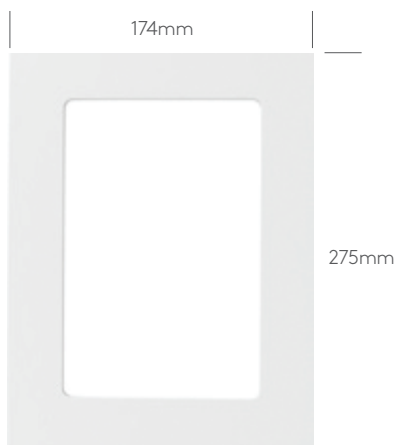
Drawer gaps standard 2mm allowance.

Where height dimension is stated in **orange**, this indicates space available for door hardware.

No drawer banks available.

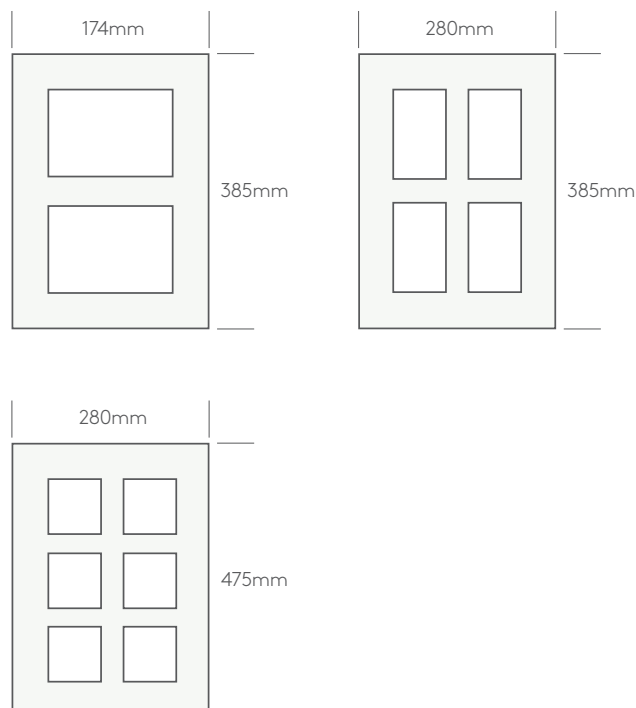
Note: Position of bevel will default to top if not specified.

Frame Type: Classic



Profile available with square arised, 2mm or 3mm outer edge. Recessed handle featured on back of door/panel with a flat face on the front. Finger pull feature not available on frames, only available as Classic square. Diagrams not shown to scale or with exact mould detail. Frame image shown to illustrate shape detail only – not reflective of colours available. Dimension and profile specifications outlined to assist with order placement.

Minimum Dimensions:

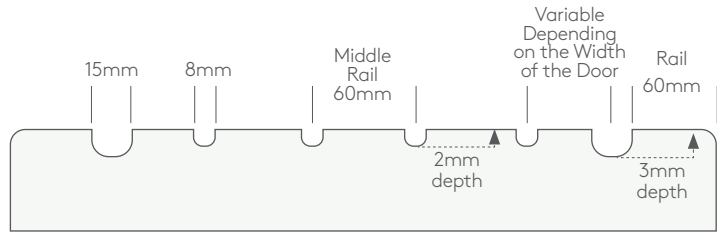


Series 2: Face Routed Profiles

Profile: New Country Square



Cross Section Diagram

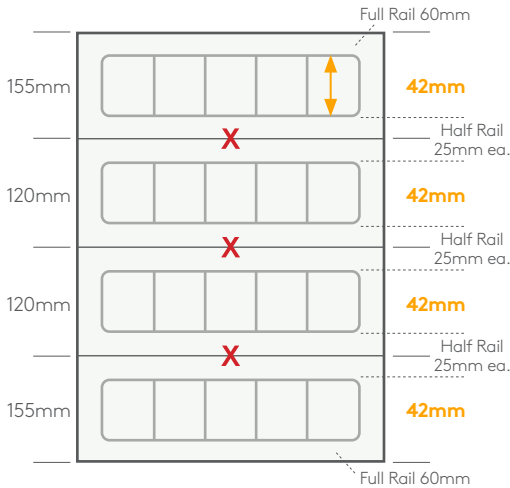


Door minimum

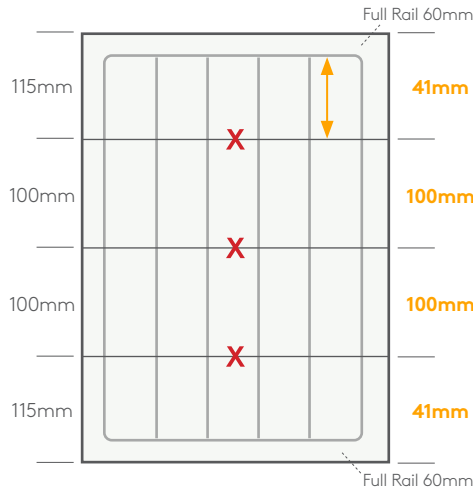
Min Height: 190mm

Min Width: 200mm

Drawer Set Minimum



Drawer Bank Minimum

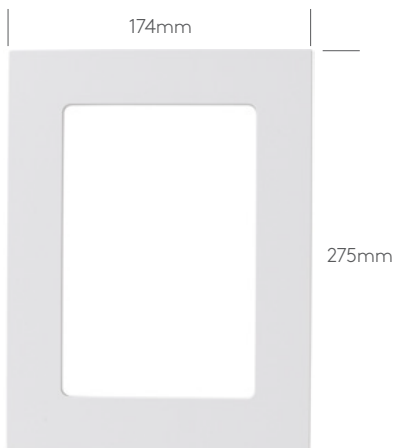


Where **X** appears in Drawer Set, if not specified, Between-Drawer-Edging will be supplied as Square edge. Drawer gaps standard 2mm allowance.

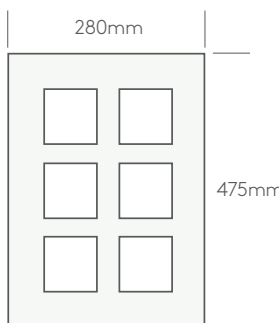
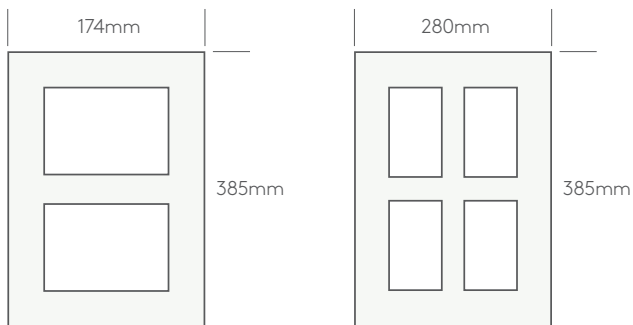
Where height dimension is stated in **orange**, this indicates space available for door hardware.

Where **X** appears in Drawer Set, Between-Drawer-Rails are automatically half rails. For full rails, simply order as individual panels.

Frame Type: Classic



Minimum Dimensions:



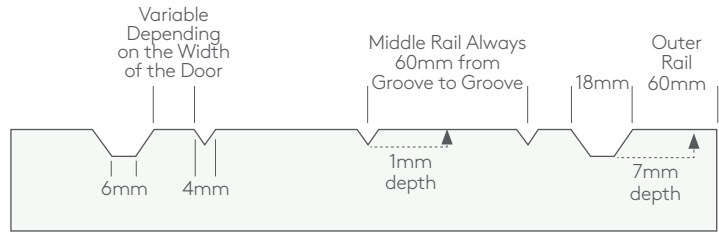
Profile available with 4 external edge options; square arrised, 2mm, 3mm or 6mm. Diagrams not shown to scale or with exact mould detail. Frame image shown to illustrate shape detail only – not reflective of colours available. Dimension and profile specifications outlined to assist with order placement.

Series 2: Face Routed Profiles

Profile: New Homestead



Cross Section Diagram

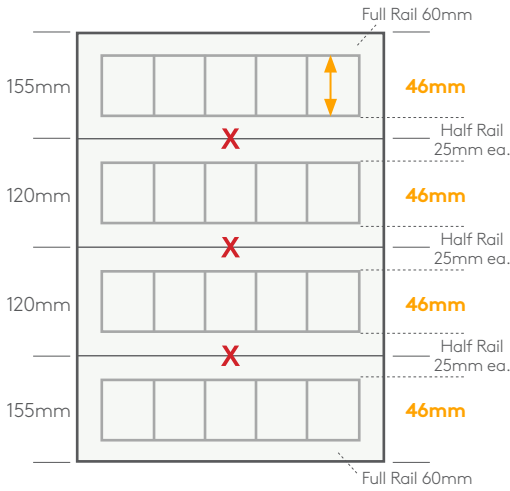


Door minimum

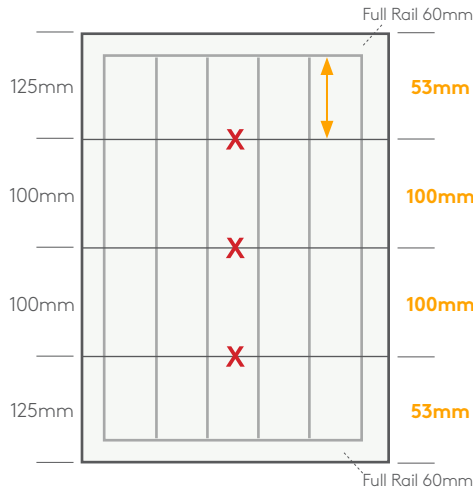
Min Height: 190mm

Min Width: 190mm

Drawer Set Minimum



Drawer Bank Minimum

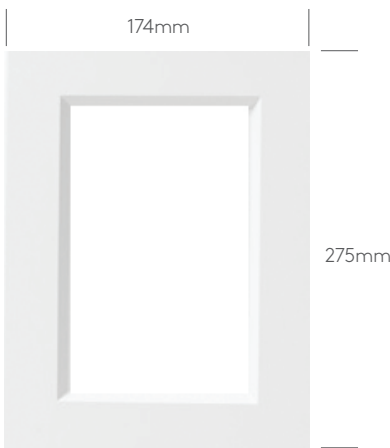


Where **X** appears in Drawer Set, if not specified, Between-Drawer-Edging will be supplied as Square edge. Drawer gaps standard 2mm allowance.

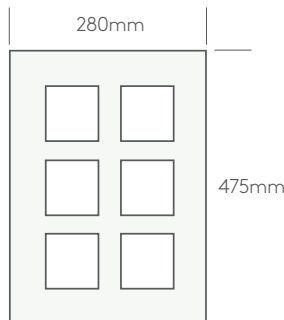
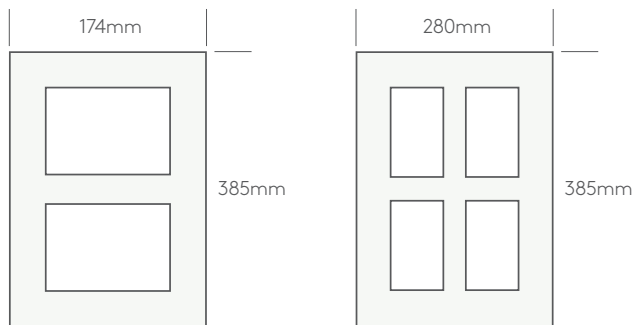
Where height dimension is stated in **orange**, this indicates space available for door hardware.

Where **X** appears in Drawer Set, Between-Drawer-Rails are automatically half rails. For full rails, simply order as individual panels.

Frame Type: Settler



Minimum Dimensions:



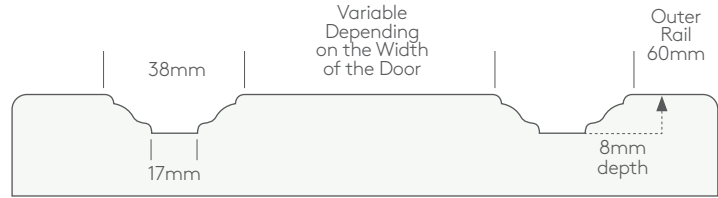
Profile available with 4 external edge options; square arrised, 2mm, 3mm or 6mm. Diagrams not shown to scale or with exact mould detail. Frame image shown to illustrate shape detail only – not reflective of colours available. Dimension and profile specifications outlined to assist with order placement.

Series 2: Face Routed Profiles

Profile: Colonial Square



Cross Section Diagram

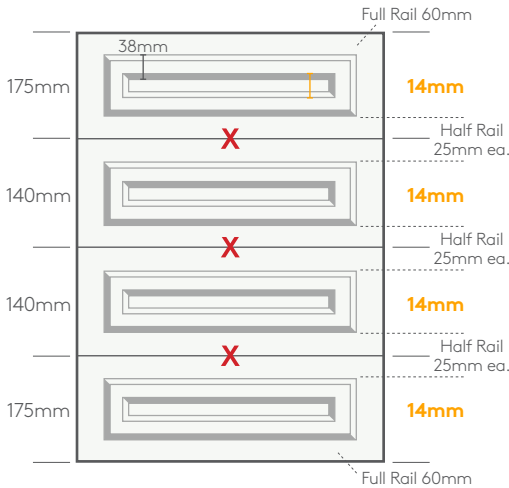


Door minimum

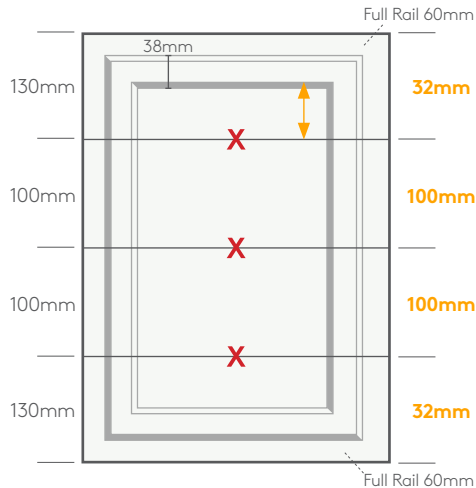
Min Height: 210mm

Min Width: 210mm

Drawer Set Minimum



Drawer Bank Minimum



Where **X** appears in Drawer Set, if not specified, Between-Drawer-Edging will be supplied as Square edge. Drawer gaps standard 2mm allowance.

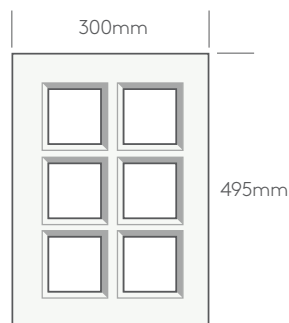
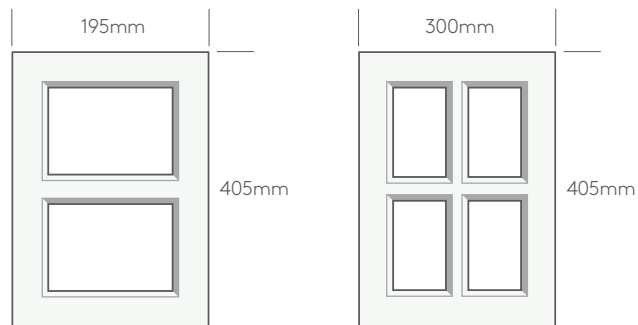
Where height dimension is stated in **orange**, this indicates space available for door hardware.

Where **X** appears in Drawer Set, Between-Drawer-Rails are automatically half rails. For full rails, simply order as individual panels.

Frame Type: Colonial Square



Minimum Dimensions:



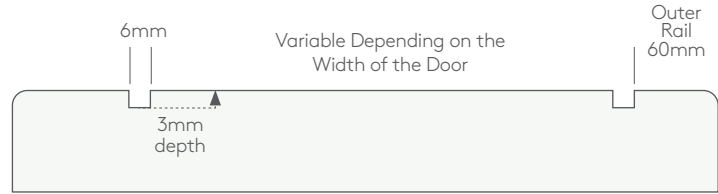
Profile available with 4 external edge options; square arrised, 2mm, 3mm or 6mm. Diagrams not shown to scale or with exact mould detail. Frame image shown to illustrate shape detail only – not reflective of colours available. Dimension and profile specifications outlined to assist with order placement.

Series 2: Face Routed Profiles

Profile: Metro



Cross Section Diagram

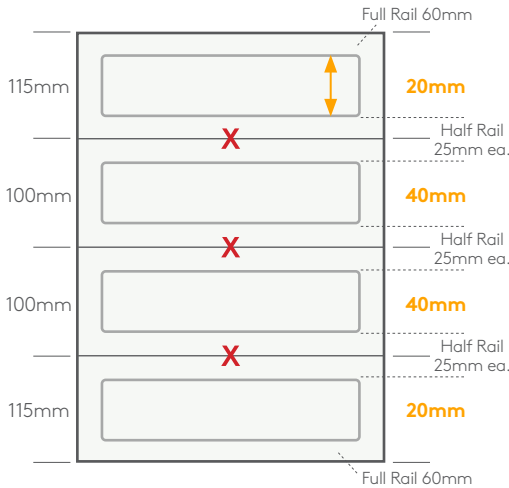


Door minimum

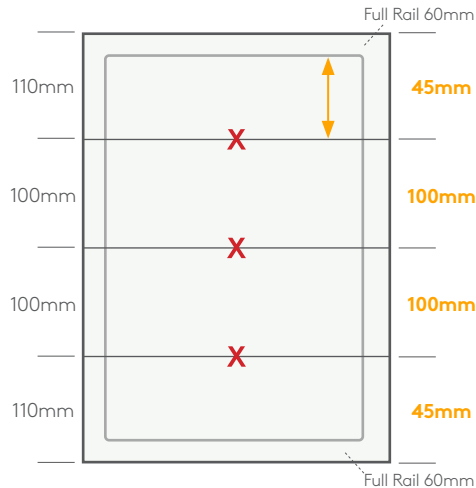
Min Height: 145mm

Min Width: 160mm

Drawer Set Minimum



Drawer Bank Minimum



Where **X** appears in Drawer Set, if not specified, Between-Drawer-Edging will be supplied as Square edge. Drawer gaps standard 2mm allowance.

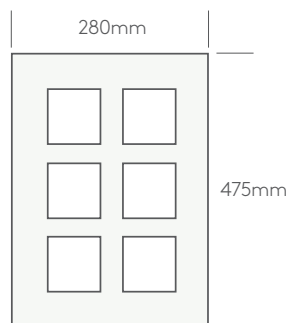
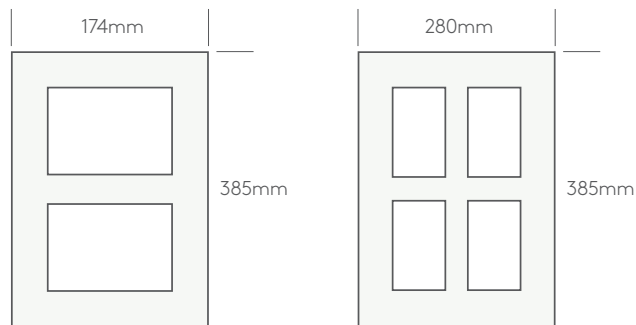
Where height dimension is stated in **orange**, this indicates space available for door hardware.

Where **X** appears in Drawer Set, Between-Drawer-Rails are automatically half rails. For full rails, simply order as individual panels.

Frame Type: Settler



Minimum Dimensions:



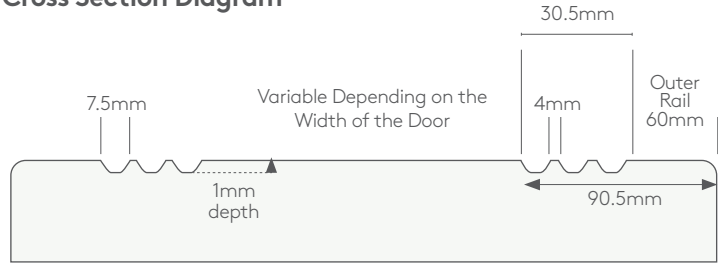
Profile available with 4 external edge options; square arrised, 2mm, 3mm or 6mm. Diagrams not shown to scale or with exact mould detail. Frame image shown to illustrate shape detail only – not reflective of colours available. Dimension and profile specifications outlined to assist with order placement.

Series 2: Face Routed Profiles

Profile: Chicago



Cross Section Diagram

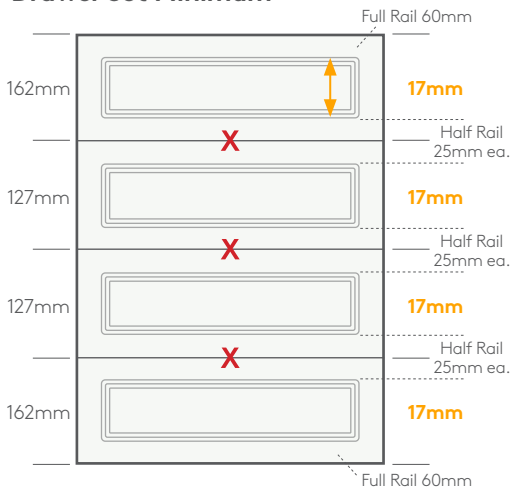


Door minimum

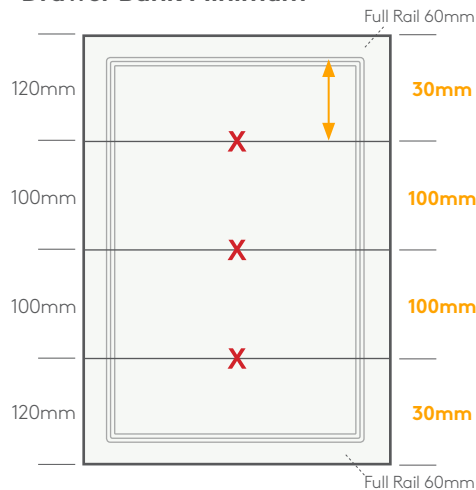
Min Height: 192mm

Min Width: 205mm

Drawer Set Minimum



Drawer Bank Minimum



Where **X** appears in Drawer Set, if not specified, Between-Drawer-Edging will be supplied as Square edge. Drawer gaps standard 2mm allowance.

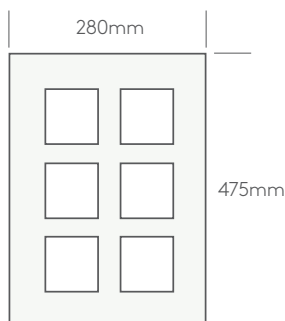
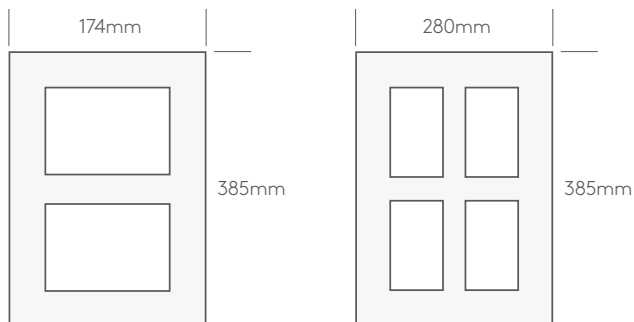
Where height dimension is stated in **orange**, this indicates space available for door hardware.

Where **X** appears in Drawer Set, Between-Drawer-Rails are automatically half rails. For full rails, simply order as individual panels.

Frame Type: Settler



Minimum Dimensions:



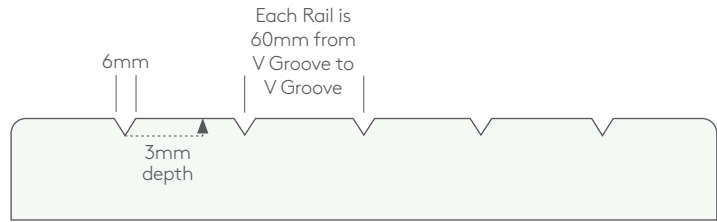
Profile available with 4 external edge options; square arised, 2mm, 3mm or 6mm. Diagrams not shown to scale or with exact mould detail. Frame image shown to illustrate shape detail only – not reflective of colours available. Dimension and profile specifications outlined to assist with order placement.

Series 2: Face Routed Profiles

Profile: Country V



Cross Section Diagram

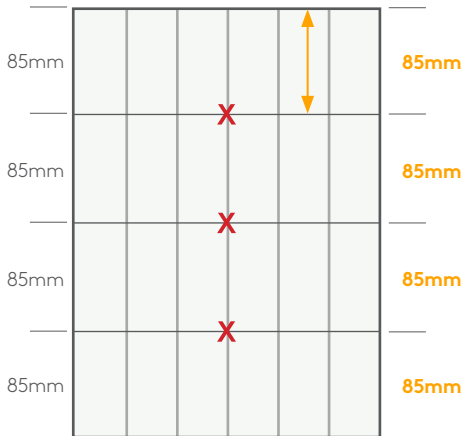


Door minimum

Min Height: 85mm

Min Width: 160mm

Drawer Bank Minimum



Where **X** appears in Drawer Bank, Between-Drawer-Edging will be supplied as Square edge. Drawer gaps standard 2mm allowance.

No drawer sets available, simply order as individual panels.

Where height dimension is stated in **orange**, this indicates space available for door hardware.

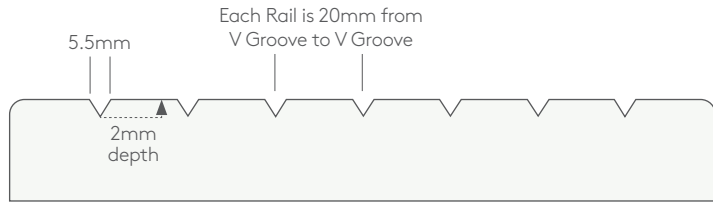
Profile available with 4 external edge options; square arrised, 2mm, 3mm or 6mm. Diagrams not shown to scale or with exact mould detail. Dimension and profile specifications outlined to assist with order placement.

Series 2: Face Routed Profiles

Profile: Newport



Cross Section Diagram

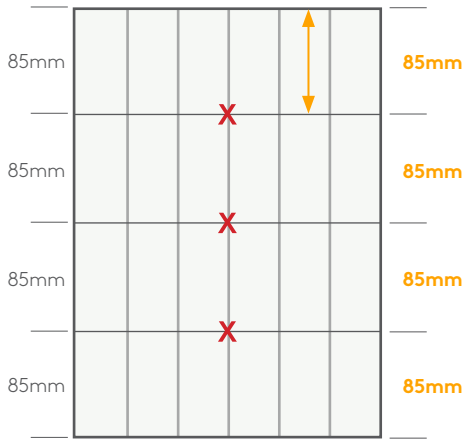


Door minimum

Min Height: 85mm

Min Width: 160mm

Drawer Bank Minimum



Where **X** appears in Drawer Bank, Between-Drawer-Edging will be supplied as Square edge. Drawer gaps standard 2mm allowance.

No drawer sets available, simply order as individual panels.

Where height dimension is stated in **orange**, this indicates space available for door hardware.

Profile available with 4 external edge options; square arrised, 2mm, 3mm or 6mm. Diagrams not shown to scale or with exact mould detail. Dimension and profile specifications outlined to assist with order placement.

Series 3: Pocket Routed Profiles

Profile: Shaker



Cross Section Diagram

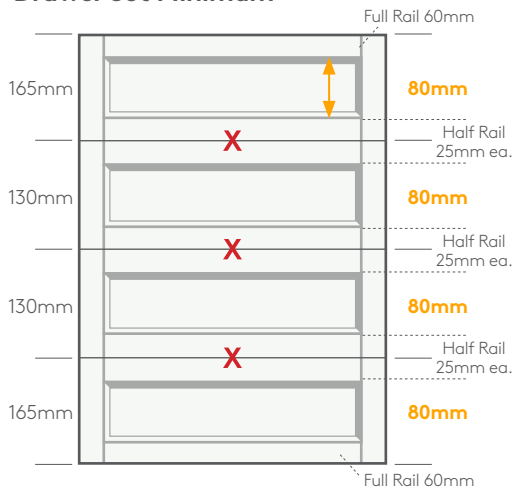


Door minimum

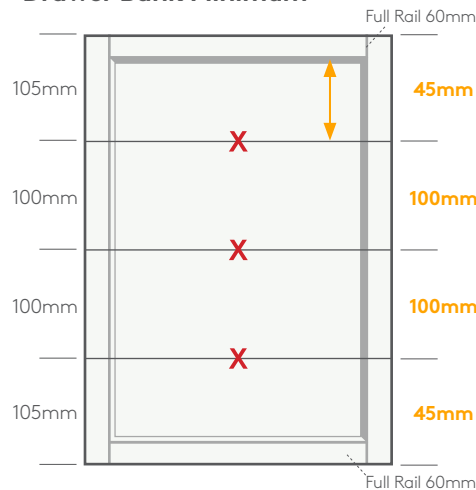
Min Height: 200mm

Min Width: 200mm

Drawer Set Minimum



Drawer Bank Minimum

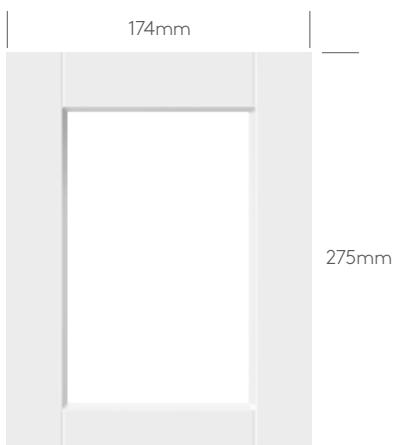


Where **X** appears in Drawer Set, if not specified, Between-Drawer-Edging will be supplied as Square edge. Drawer gaps standard 2mm allowance.

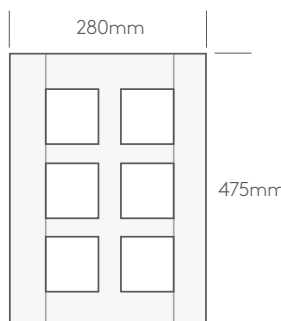
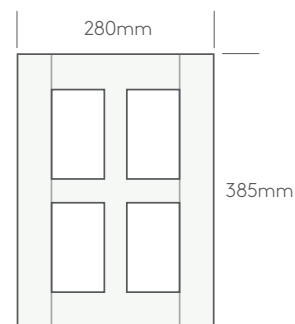
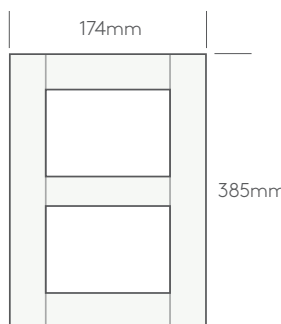
Where height dimension is stated in **orange**, this indicates space available for door hardware.

Where **X** appears in Drawer Set, Between-Drawer-Rails are automatically half rails. For full rails, simply order as individual panels.

Frame Type: Shaker



Minimum Dimensions:



Profile available with 4 external edge options; square arised, 2mm, 3mm or 6mm. Diagrams not shown to scale or with exact mould detail. Frame image shown to illustrate shape detail only – not reflective of colours available. Dimension and profile specifications outlined to assist with order placement.

Series 3: Pocket Routed Profiles

Profile: **Settler**



Cross Section Diagram

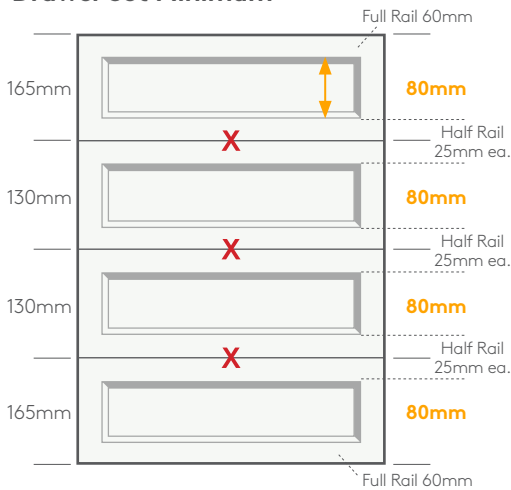


Door minimum

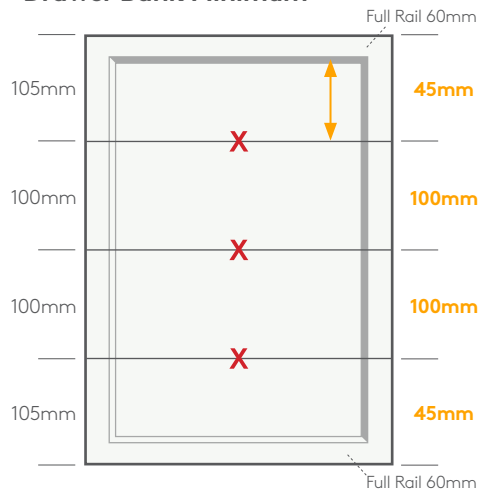
Min Height: 200mm

Min Width: 200mm

Drawer Set Minimum



Drawer Bank Minimum

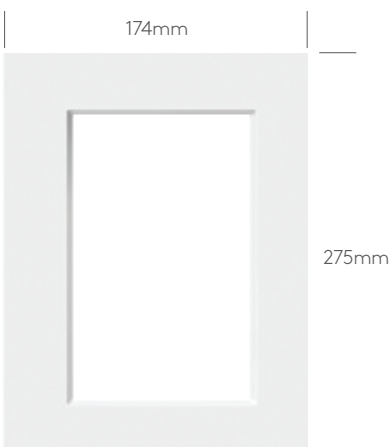


Where **X** appears in Drawer Set, if not specified, Between-Drawer-Edging will be supplied as Square edge. Drawer gaps standard 2mm allowance.

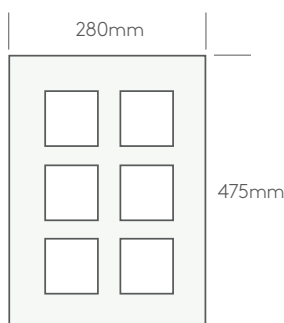
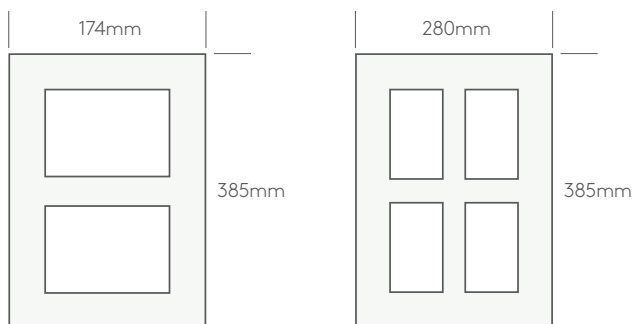
Where height dimension is stated in **orange**, this indicates space available for door hardware.

Where **X** appears in Drawer Set, Between-Drawer-Rails are automatically half rails. For full rails, simply order as individual panels.

Frame Type: Settler



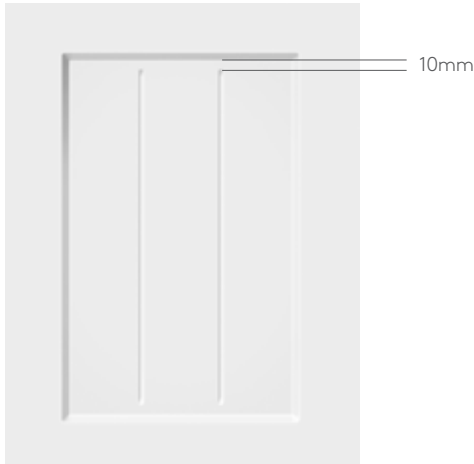
Minimum Dimensions:



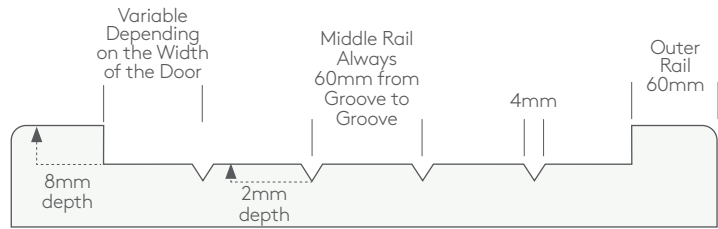
Profile available with 4 external edge options; square arised, 2mm, 3mm or 6mm. Diagrams not shown to scale or with exact mould detail. Frame image shown to illustrate shape detail only – not reflective of colours available. Dimension and profile specifications outlined to assist with order placement.

Series 3: Pocket Routed Profiles

Profile: Settler Planked



Cross Section Diagram

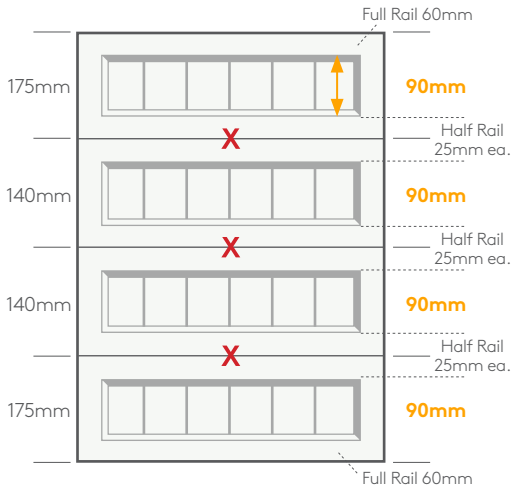


Door minimum

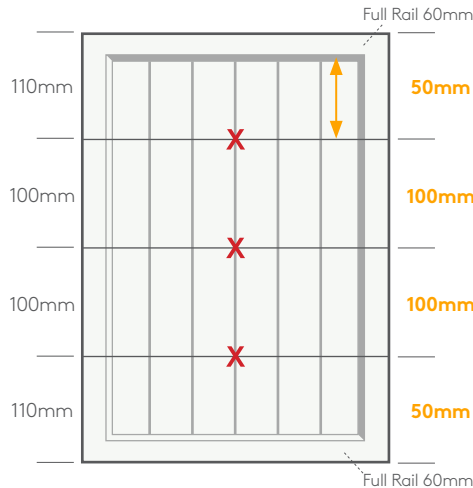
Min Height: 210mm

Min Width: 210mm

Drawer Set Minimum



Drawer Bank Minimum

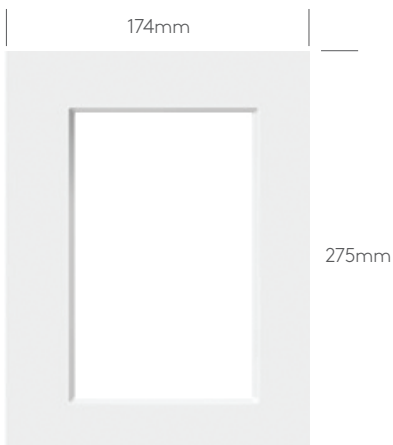


Where **X** appears in Drawer Set, if not specified, Between-Drawer-Edging will be supplied as Square edge. Drawer gaps standard 2mm allowance.

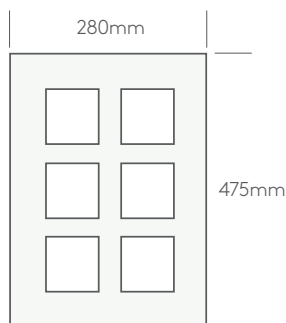
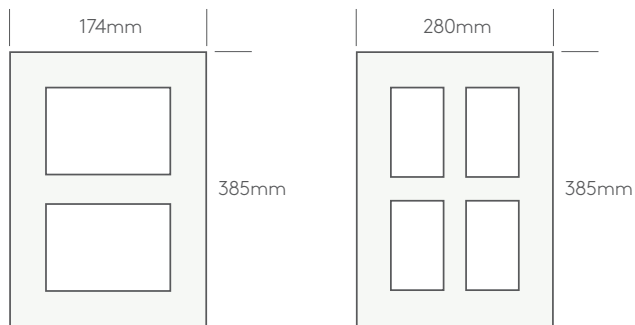
Where height dimension is stated in **orange**, this indicates space available for door hardware.

Where **X** appears in Drawer Set, Between-Drawer-Rails are automatically half rails. For full rails, simply order as individual panels.

Frame Type: Settler



Minimum Dimensions:



Profile available with 4 external edge options; square arrised, 2mm, 3mm or 6mm. Diagrams not shown to scale or with exact mould detail. Frame image shown to illustrate shape detail only – not reflective of colours available. Dimension and profile specifications outlined to assist with order placement.

Series 3: Pocket Routed Profiles

Profile: **Nouvo**



Cross Section Diagram

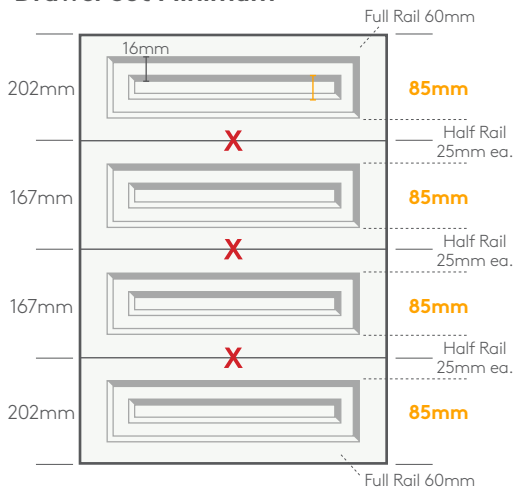


Door minimum

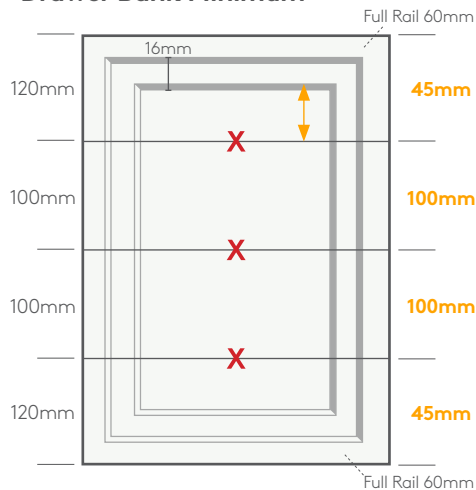
Min Height: 242mm

Min Width: 242mm

Drawer Set Minimum



Drawer Bank Minimum

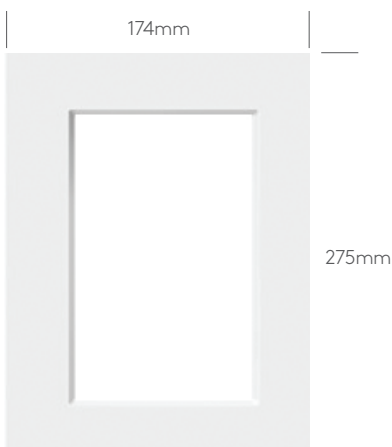


Where **X** appears in Drawer Set, if not specified, Between-Drawer-Edging will be supplied as Square edge. Drawer gaps standard 2mm allowance.

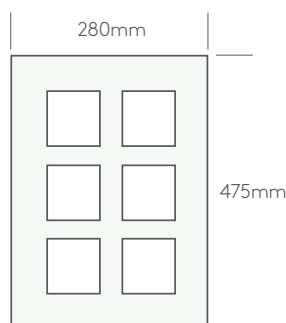
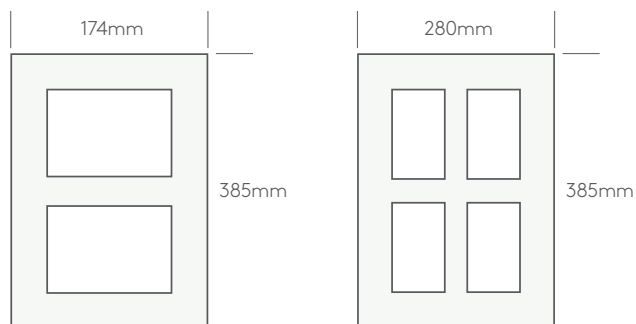
Where height dimension is stated in **orange**, this indicates space available for door hardware.

Where **X** appears in Drawer Set, Between-Drawer-Rails are automatically half rails. For full rails, simply order as individual panels.

Frame Type: Settler



Minimum Dimensions:



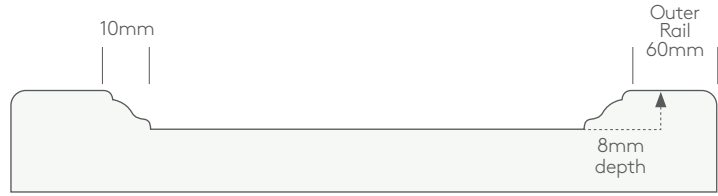
Profile available with 4 external edge options; square arised, 2mm, 3mm or 6mm. Diagrams not shown to scale or with exact mould detail. Frame image shown to illustrate shape detail only – not reflective of colours available. Dimension and profile specifications outlined to assist with order placement.

Series 3: Pocket Routed Profiles

Profile: Nostalgia Square



Cross Section Diagram

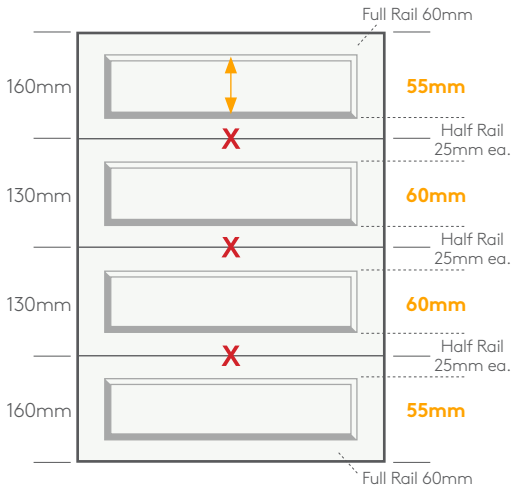


Door minimum

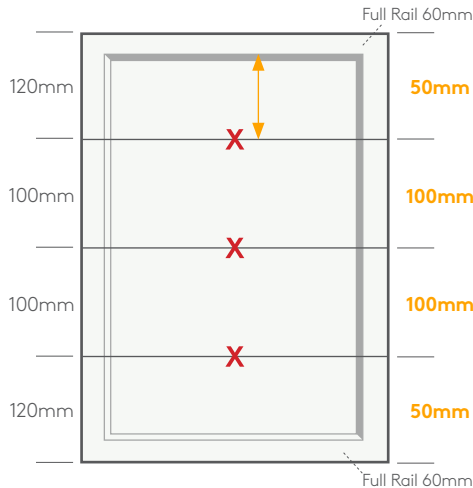
Min Height: 205mm

Min Width: 205mm

Drawer Set Minimum



Drawer Bank Minimum



Where **X** appears in Drawer Set, if not specified, Between-Drawer-Edging will be supplied as Square edge. Drawer gaps standard 2mm allowance.

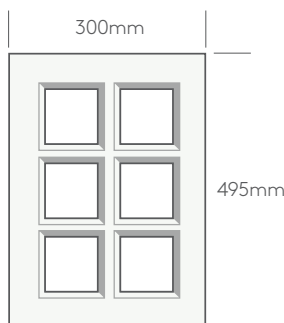
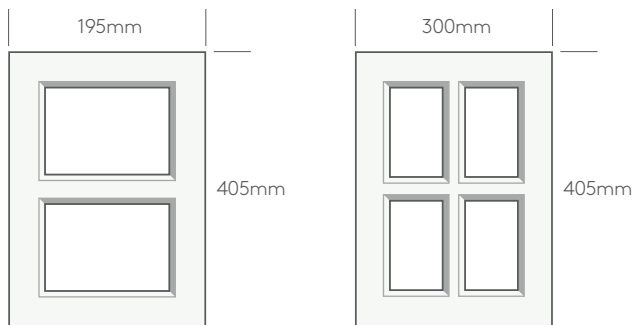
Where height dimension is stated in **orange**, this indicates space available for door hardware.

Where **X** appears in Drawer Set, Between-Drawer-Rails are automatically half rails. For full rails, simply order as individual panels.

Frame Type: Colonial Square



Minimum Dimensions:



Profile available with 4 external edge options; square arised, 2mm, 3mm or 6mm. Diagrams not shown to scale or with exact mould detail. Frame image shown to illustrate shape detail only—not reflective of colours available. Dimension and profile specifications outlined to assist with order placement.

Series 3: Pocket Routed Profiles

Profile: Nostalgia Soft Arch



Cross Section Diagram

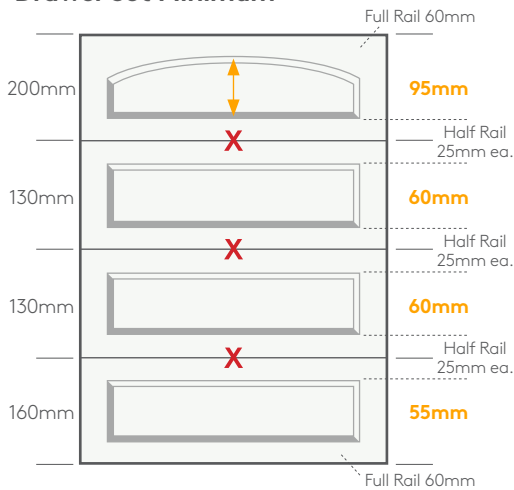


Door minimum

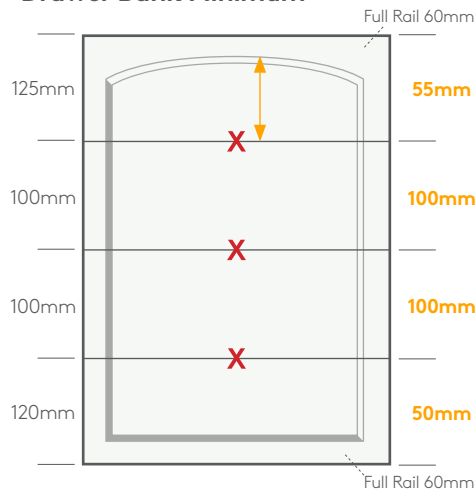
Min Height: 231mm

Min Width: 231mm

Drawer Set Minimum



Drawer Bank Minimum

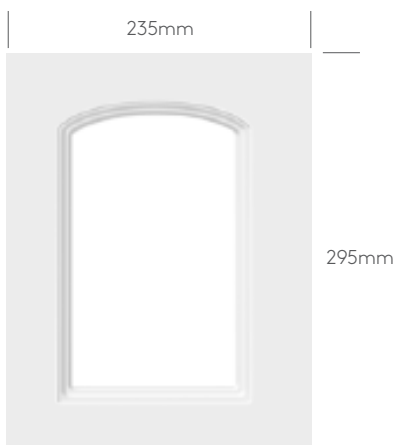


Where **X** appears in Drawer Set, if not specified, Between-Drawer-Edging will be supplied as Square edge. Drawer gaps standard 2mm allowance.

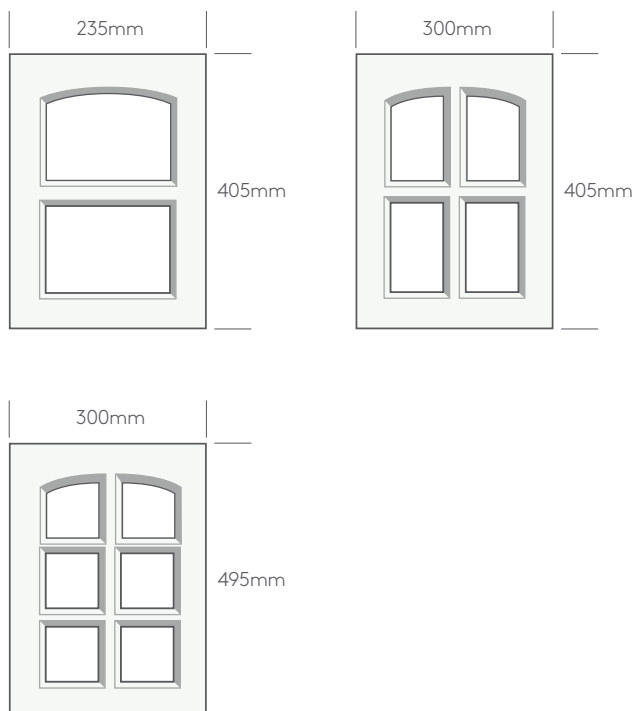
Where height dimension is stated in **orange**, this indicates space available for door hardware.

Where **X** appears in Drawer Set, Between-Drawer-Rails are automatically half rails. For full rails, simply order as individual panels.

Frame Type: Nostalgia Soft Arch



Minimum Dimensions:



Profile available with 4 external edge options; square arised, 2mm, 3mm or 6mm. Diagrams not shown to scale or with exact mould detail. Frame image shown to illustrate shape detail only – not reflective of colours available. Dimension and profile specifications outlined to assist with order placement.

Ordering Information

ColourTech® Door drawer set ordering formula for drawers with equal patterns

Matching drawer sets and drawer banks are supplied for the range of ColourTech® Door designs available.

When ordering required drawer front sets, it is important to allow for the required gap between drawers.

We recommend a standard gap of 2mm be allowed for.

Drawer heights should be rounded to the nearest 0.5mm.

Below is the formula to use for calculating drawer set fronts for centre panels of the same size.

Four Drawer Set

Overall drawer set height minus **total of gaps** between drawers
 eg. 716mm - 6mm = 710mm

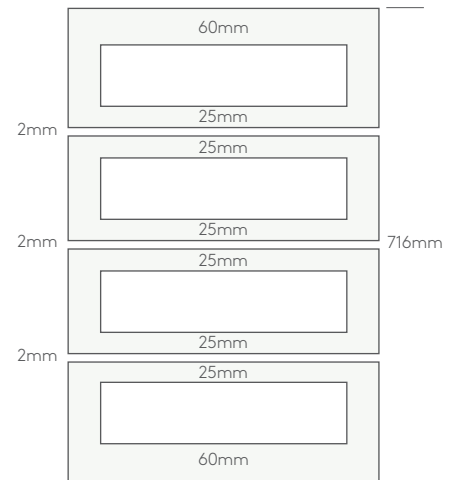
Minus 270 (**total of rails**)
 eg. 711mm - 270mm = 441mm

441mm ÷ 4 (**no. of drawers**)
 = 110.25mm i.e. **centre panel size**

Top & bottom drawers
 110mm (**centre panel size**)
 + 85mm (**full + half rail**) = 195mm

Middle drawers
 110mm (**centre panel size**)
 + 50mm (**two half rails**) = 160mm

Overall height check = The four drawer heights plus the gaps between drawers must add up to the overall height, including gaps, which in the example shown is 716mm. If rounding of measurements causes overall size to be out by 1mm, adjust one drawer front by 1mm if necessary.



Three Drawer Set

Overall drawer set height minus **total of gaps** between drawers
 eg. 716mm - 4mm = 712mm

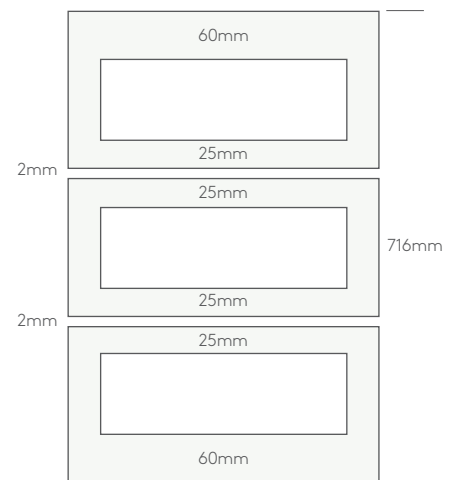
Minus 220 (**total of rails**)
 eg. 712mm - 220mm = 492mm

492mm ÷ 3 (**no. of drawers**)
 = 164mm i.e. **centre panel size**

Top & bottom drawers
 164mm (**centre panel size**)
 + 85mm (**full + half rail**) = 249mm

Middle drawers
 164mm (**centre panel size**)
 + 50mm (**two half rails**) = 214mm

Overall height check = The three drawer heights plus the gaps between drawers must add up to the overall height, including gaps, which in the example shown is 716mm. If rounding of measurements causes overall size to be out by 1mm, adjust one drawer front by 1mm if necessary.



Profiles with vertical rails

ColourTech Doors and Panels will automatically determine the CS (centre stripe) or OC (off centre) based on the total panel width. This will ensure the outer rails are never less than 30mm wide (15mm for Newport).

Profiles include: Country V, Country Square, New Homestead and Settler Planked.

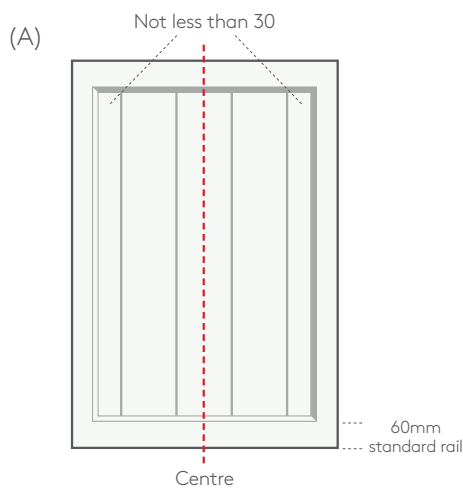


If outer spacings are calculated at less than 30mm then the common edge of the two middle planks are aligned from the centre of the door. The outer spaces will not be less than 30mm.

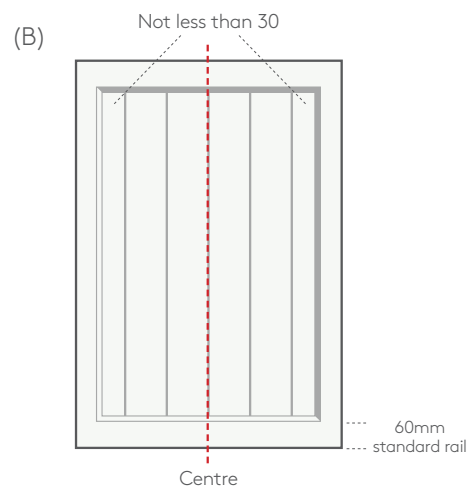


The first rail will be centred, and the other lines spaced at set distances until outer edges are reached. The 2 outer spacings may vary but will not be less than 30mm.

In the instance of Country Square (New Homestead or Settler Planked):



The first plank will be centred, and the other lines spaced at set distances until outer edges are reached. The 2 outer spacings may vary but will not be less than 30mm.



If outer spacings are calculated at less than 30mm then the common edge of the two middle planks are aligned from the centre of the door. The outer spaces will not be less than 30mm.

Ordering Pantry Doors

When ordering ColourTech® Pantry Doors, note that there are two types:

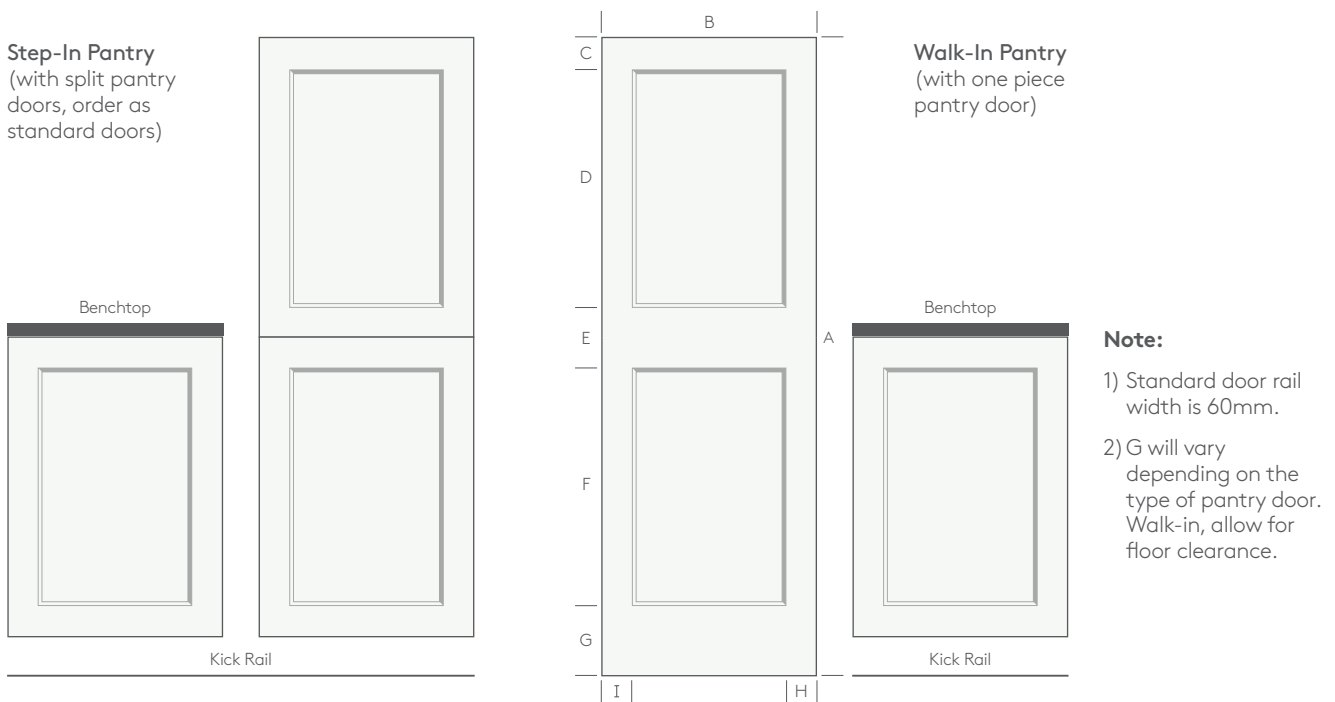
1. Step-In Pantry – The pantry door aligns at the top of the kick rail.
2. Walk-In Pantry – The pantry door is within 2mm of the floor.

Price:

- Priced as per door sizes.
- Pantry door with more than 2 routes are a 'special order' and priced on application.

Pantry Doors

Note: Pantry doors are best ordered as split doors as stated on page 5. Alternatively, a single panel can be ordered but must include a central rail which should not be less than 60mm, preferably 120mm. Claims arising from dimensional bowing, twisting or warpage due to the omission of either a central rail or split door construction, are not covered under warranty.

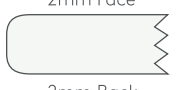
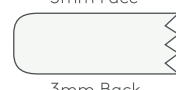
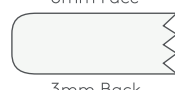

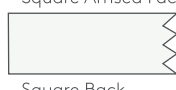

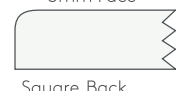
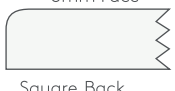



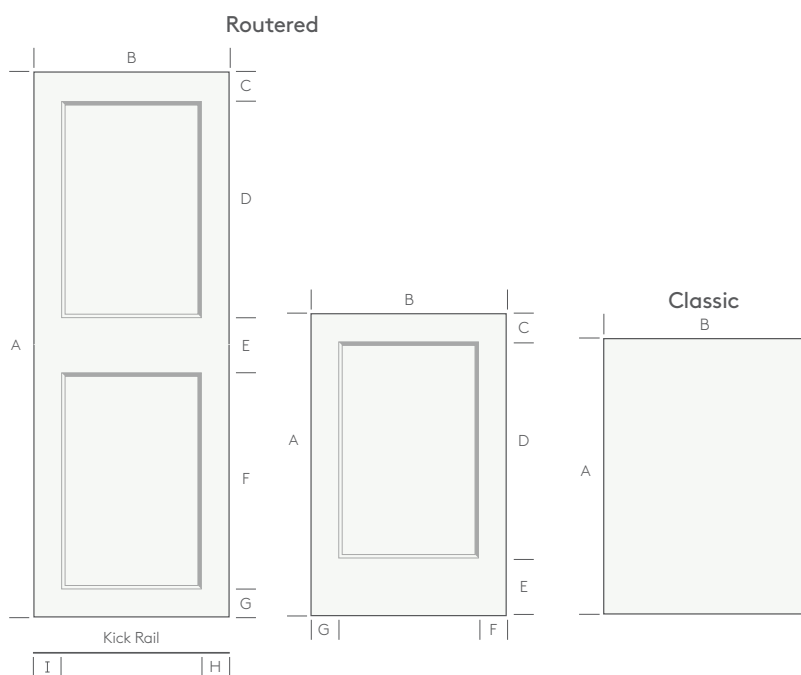
When Ordering Pantry Doors

- For Classic and Soft Bevelled designs, dimensions A & B are required. For all other designs, all dimensions shown are required.
- Standard Door Rail is 60mm. If standard rails are used, C, E, G, H & I will all be 60mm.
- Some prefer to double the middle rail E.
- If a Walk-In pantry, add the kick rail height less a couple mm for floor clearance to dimension G.
- If to match base cupboard doors, subtract top and bottom rails (120mm total) from base door height to calculate dimension F. Dimension D will then be dimension A less the sum of dimension C, E, F & G.
- The sum of dimension C, D, E, F & G must add up to dimension A.
- The edge profile required must be ticked.

End Panels

- Available in Classic and all other door profiles.
- For Classic and Soft Bevelled designs, only dimensions A & B are required.

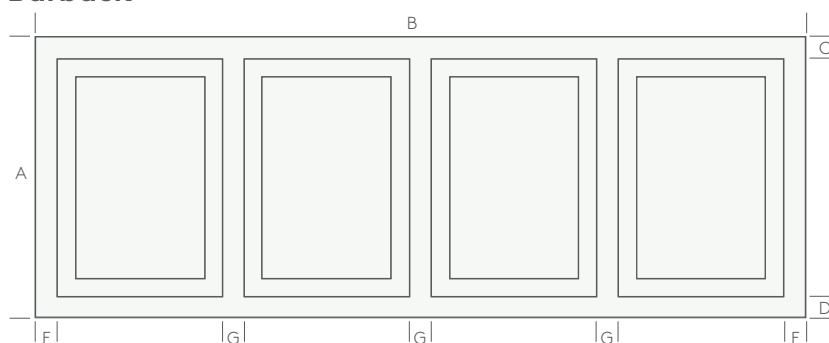
Option E1	Option E3	Option E5	Option E7	Option E11
2mm Face  2mm Back	3mm Face  3mm Back	6mm Face  3mm Back	Soft Bevel Face  3mm Back	Square Arrised Face  Square Back
Option E2	Option E4	Option E6	Option E8	NB Square Arrised back option only when painted both sides
2mm Face  Square Back	3mm Face  Square Back	6mm Face  Square Back	Soft Bevel Face  Square Back	



When Ordering End Panels

- An option is to be nominated for each of the four edges (left, right, top and bottom)
- Panels with options 2, 4, 6, 8 and 11 indicate that only the Face is to be painted however a 100mm 'Return' or Double-sided option can be chosen to ensure the back is also painted
- Panels with options 1, 3, 5 or 7 must be painted on the Back either as a 100mm 'Return' or Double-sided – such orders without a Return or Double-sided indicated will be deemed incomplete
- If a 'Return' is chosen for more than 2 sides, the panel will automatically default to double-sided
- Pricing for double sided panels is as for doors plus double-sided cost
- Pricing for a Return is as for doors plus applicable surcharge
- Depending on panel size, where Double-Sided pricing is less than a Return, panel will be supplied as Double-Sided and charged the lesser price.

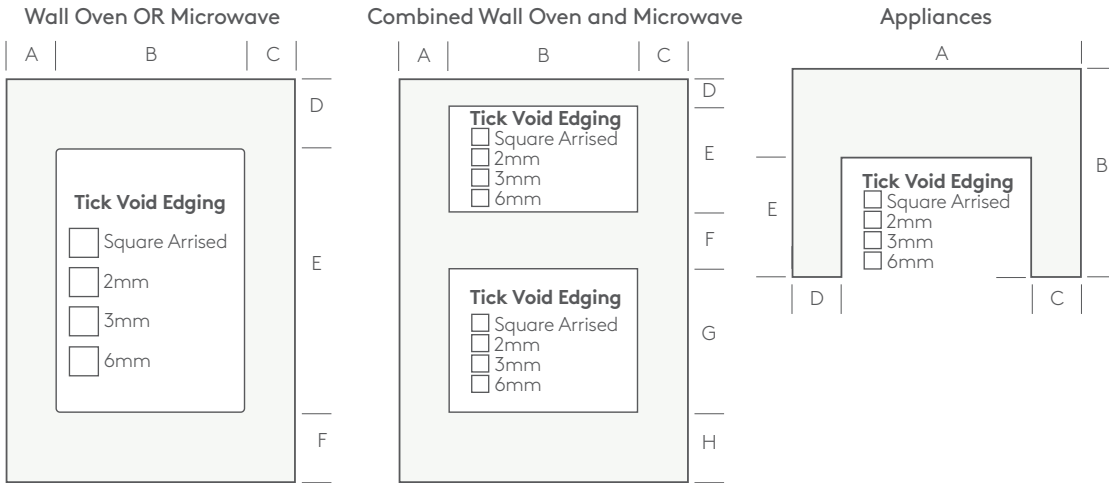
Barback



When Ordering Barbacks/Breakfast Bars/Horizontal Panels

- For Classic and Soft Bevelled designs, only dimensions A & B are required.
- For all other designs all dimensions shown are required.
- Maximum size – 1200mm height x 3000mm width (for Texture finish) and 2400mm width (for Satin and Gloss finishes).
- Priced as a door for up to two face patterns.
- For more than two face patterns divide width by no. of face patterns (eg. four face patterns price as for 4 individual doors).
- Internal stiles (G dimension) must always be equal.
- C, D, E and F standard rail is 60mm.

Wall Oven, Microwave, Appliance Frames



Note: All rails min 25mm, minimum cut out 155*55.

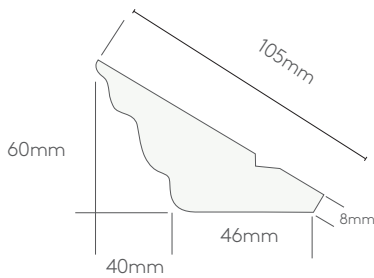
- For all items the External Profile and Void Edging are necessary.
- Combined Wall Oven and Microwave Frames need dimensions A to H inclusive.
- Appliance frames require A to E inclusive.
- Bottom edge on appliance frame will be square (C & D), unless otherwise specified
- 'Wall Oven OR Microwave Frame' needs dimensions A-F inclusive

Ordering Accessories

The ColourTech range offers a beautifully designed, painted accessories, to match or compliment your ColourTech doors.

Capping Mould Length:

Moulds are available in 3.6m lengths ONLY



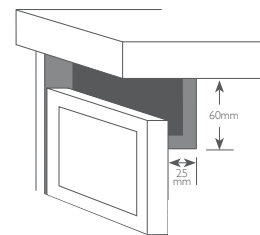
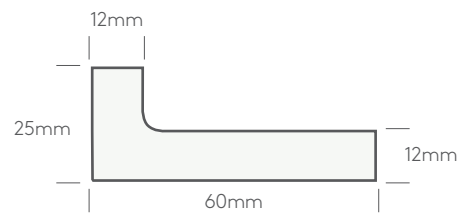
Kickrails:

Two sizes available:

- 3600mm x (20 to 150mm)
- 1800mm x (20 to 150mm)

Accessories also include:

- Recessed Rail (L shape): 2400mm length



Recessed Rails

Roller Doors

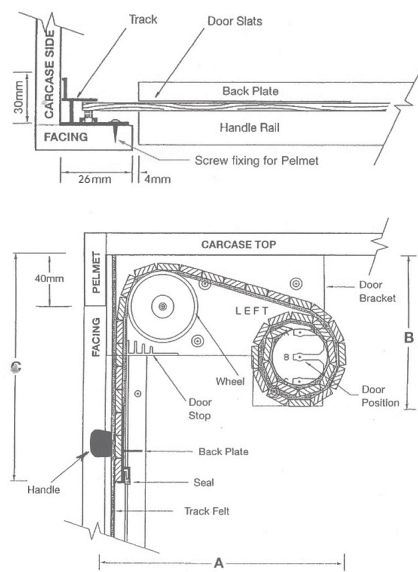
Minimum Door:

- Width: 400mm
- Height: 400mm

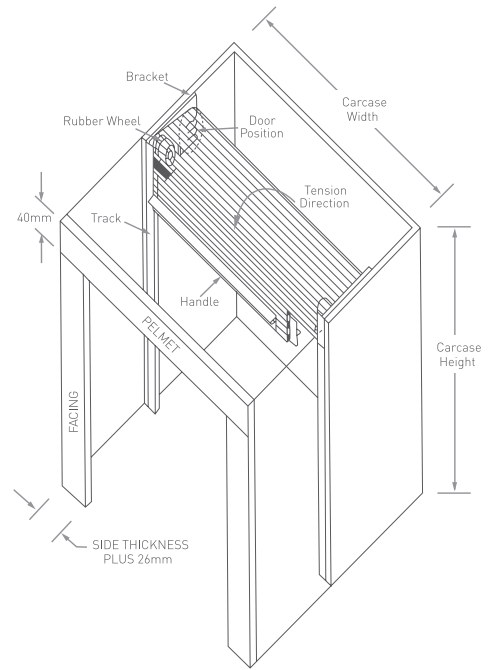
Maximum Door:

- Width: 1999mm
- Height: 2099mm

Side View



Isometric View



When Ordering Roller Doors

- Supply internal carcass height and width measurements.
- Each door is supplied with a colour match painted D-profile handle. Handle length supplied approx. 60mm shorter than width, unless otherwise requested.
- Fixing instructions will be included with each customer delivery.

Express Range

Profile	Finish	Edge	Double sided/Returns	Colours	Max Size	Lead time
Classic (Series 1)	Gloss Satin	2 mm	Double sided & returns not included	White	2400x1200 mm	7 Days ex plant (When all requirements in this table are satisfied)
				Polar White		
				Parchment		
				New Antique White		
				Moleskin		
				Ash White		
				Super White		
				Ghost Gum		
Aries						

Visit us

For location of your closest showroom or more information visit laminex.com.au

Product sample

For a sample visit laminex.com.au

Call Us

For trade enquiries **132 136**

Follow Us

 facebook.com/Laminexau

 au.pinterest.com/Laminexau

 instagram.com/Laminexau

 youtube.com/Laminexau

Laminex® Made-to-Measure Doors and Panels are manufactured, marketed and distributed by Laminex Group Pty Limited ABN 98 004 093 092, trading as Laminex. The colours and finishes for all imagery and product swatches in this brochure may vary due to paper, printing processes and photographic lighting. For an accurate representation of the product, please view a physical sample. Please obtain a copy of the terms and conditions of the applicable warranties from laminex.com.au. All warranties are in addition to any rights that may exist under the Australian Consumer Law. Laminex® Made-to-Measure Doors and Panels, Lamiwood®, Metaline®, Essastone®, Absolute® Series, Impressions textured surfaces™, Silk Finish™, AbsoluteMatte® Panels, Ultracraft™. The information contained within this brochure is intended for general use and information only. Before application in a particular situation, Laminex recommends that you obtain appropriate independent qualified expert advice confirming the suitability of product(s) and information in question for the application proposed. To the extent permitted by law, Laminex disclaims all liability (including liability for negligence) for all loss and damage resulting from the direct or indirect use, or reliance on, the information provided in this brochure. © Laminex Group Pty Ltd, November 2019. ™ and ® are trademarks of Laminex Group Pty Ltd (ACN 004 093 092), a member of Fletcher Building Group.

Laminex reserves the right to update this document prior to the stated expiry date.
Refer to www.laminex.com.au for the latest version of this document.

LNx0152 | 04/20 | Document Expiry Date: 12/2020

Laminex®